

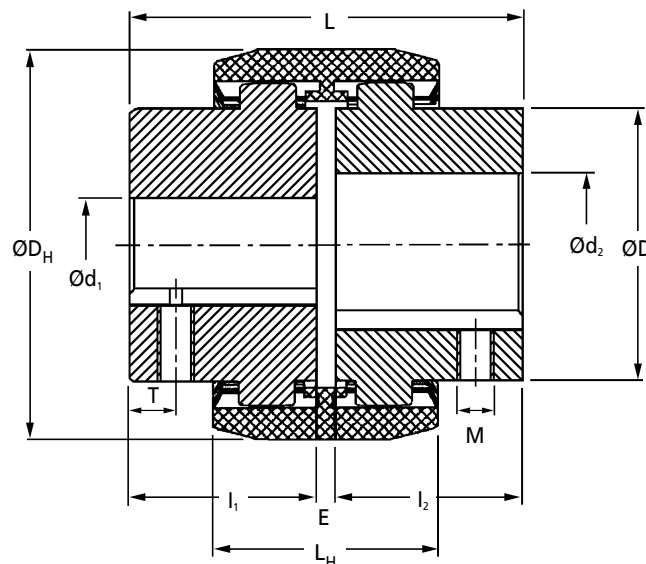
COUPLINGS

e-cad
Drawings
Available

RTK-SS

BoWex® Toothed Driven Coupling

Stainless Hubs & Polyamide Centre Sleeve : 20 - 280Nm, 0 - 48mm Bores



Double Cardonic Curved Tooth 3 Piece

Discounts: 6+ -5% 20+ -10% 40+ -20% 60+ -25%

Part Number		d ₁ ; d ₂ max.	I ₁ ; I ₂	E	L _H	L	ØD	T	Thread M	D _H	Rated Torque T _R (Nm)	Max Torque T _k (Nm)	Max. Speed Rpm	Price Each 1 - 5	
Without bore	With bore & keyway													Without bore	With bore & keyway
RTK-SS-24	RTK-SS-24BK	24	26	4	41	56	36	6	M5	52	20	40	10600	£272.68	£340.45
RTK-SS-38	RTK-SS-38BK	38	40	4	48	84	58	10	M8	83	80	160	6700	£482.67	£550.44
RTK-SS-48	RTK-SS-48BK	48	50	4	50	104	88	10	M8	95	140	280	5600	£563.43	£631.19

Material

BoWex® Shaft couplings are made from polyamide centre sleeve and the hubs are 320 518/31 (316 Ti) 1.4571

Other Info.

Application areas: food processing industry, print and paper, textile industry, sewage technology, wash-mobiles, chemical and pharmaceutical industry, offshore units. For applications in aggressive atmospheres (air, water, chemicals etc.).

+44 (0)1246 455500
+44 (0)1246 455522

ondrives

sales@ondrives.com
www.ondrives.com

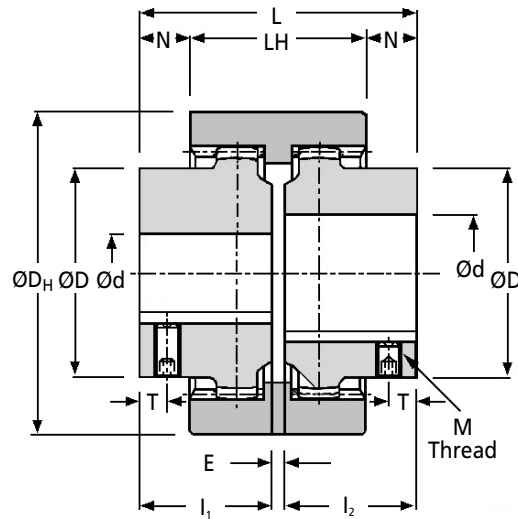
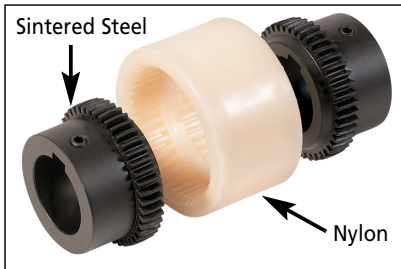
Product information updated 1st April 2011 and subject to change. Please contact Sales for the latest prices and availability.

RTKe-cad
Drawings
Available

COUPLINGS

BoWex® Toothed Driven Coupling

Double Cardanic Curved Tooth, 3 Piece : 10 - 5000Nm, 0 - 125mm Bores

**Discounts:** 6+ -5% 20+ -10% 40+ -20% 60+ -25%

Part Number	Max. Axial Displacement	Displacement Values		Weight with max. bores (kg)
		Radial (mm)	Angular (a°)	
RTK-M-14	±1	±0.3	±1°	0.10
RTK-M-19	±1	±0.3	±1°	0.23
RTK-M-24	±1	±0.3	±1°	0.32
RTK-M-28	±1	±0.4	±1°	0.74
RTK-M-32	±1	±0.4	±1°	0.95
RTK-M-38	±1	±0.4	±1°	1.23
RTK-M-42	±1	±0.4	±1°	1.50
RTK-M-48	±1	±0.4	±1°	1.81
RTK-M-65	±1	±0.6	±1°	4.35
RTK-I-80	±1	±0.7	±1°	11.53
RTK-I-100	±1	±0.8	±1°	20.52
RTK-I-125	±1	±1.1	±1°	42.76

Part Number Without bore	Part Number With bore & keyway	Ød Max	Set Screw M	T	I ₁ ; I ₂	L	L _H	N	ØD	E	ØD _H	RPM max	Torque Tk (Nm)		Price Each 1 - 5	
													Tkn Rated	Tkn Max.	Without bore	With bore & keyway
RTK-M-14	15	M5	6	23	50	37	6.50	25	4	40	14000	10	20	£60.11	£60.11	
RTK-M-19	20	M5	6	25	54	37	8.50	32	4	48	11800	16	32	£67.71	£67.71	
RTK-M-24	24	M5	6	26	56	41	7.50	36	4	53	10600	20	40	£50.78	£76.65	
RTK-M-28	28	M8	10	40	84	46	19.00	44	4	66	8500	45	90	£76.51	£112.29	
RTK-M-32	32	M8	10	40	84	48	18.00	50	4	76	7500	60	120	£93.94	£130.50	
RTK-M-38	38	M8	10	40	84	48	18.00	58	4	83	6700	80	160	£114.67	£150.49	
RTK-M-42	42	M8	10	42	88	50	19.00	65	4	92	6000	100	200	£122.93	£168.32	
RTK-M-48	48	M8	10	50	104	50	27.00	68	4	95	5600	140	280	£152.21	£191.29	
RTK-M-65	65	M10	15	55	114	68	23.00	96	4	132	4000	380	760	£361.50	£436.21	
RTK-I-80	80	M10	20	90	186	93	46.50	124	6	175	3150	700	1400	£566.91	£667.82	
RTK-I-100	100	M12	30	110	228	102	63.00	152	8	210	3000	1200	2400	£1138.50	£1325.08	
RTK-I-125	125	M16	40	140	290	134	78.00	192	10	270	2120	2500	5000	£1905.78	£2171.75	

Material

Centre: Nylon Ends: Sintered Steel

Performance

Operating Temperature Range: -25°C to +100°C

Application:

Mechanical/ Hydraulic

Other Info.

Maintenance free. Compensates for axial, radial and angular shaft displacement. Easy to assemble. The Coupling can be bored for standard shafts and supplied with a keyway to DIN 6885/1-JS9. Please specify bores and keyways required in each end when ordering.

+44 (0)1246 455500

+44 (0)1246 455522

ondrives

sales@ondrives.com

www.ondrives.com

Product information updated 1st April 2011 and subject to change. Please contact Sales for the latest prices and availability.