

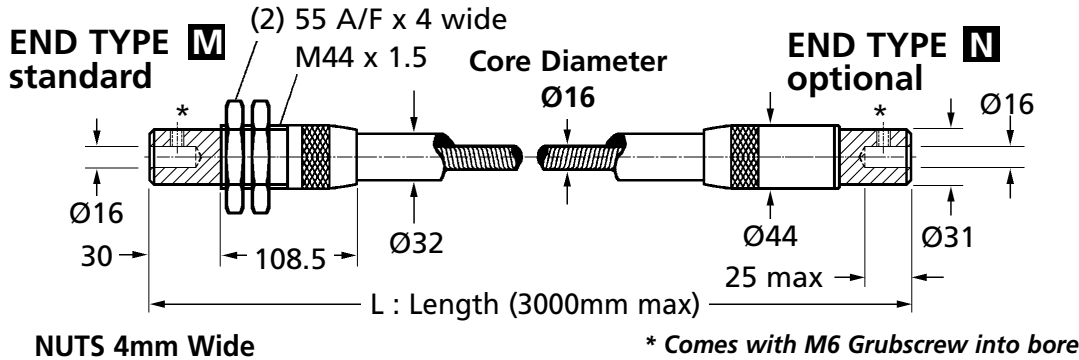
FD16

COUPLINGS

Masterflex - Flexible Drive Shaft

Ball Bearing Type : 12.5 - 50Nm, 16mm Bores

Shaft Size 16 - High Duty with Ball Bearings



▨ = Rotating part (between ▨ is the static portion which requires securing)

Discounts: 5+ -5% 25+ -10%

Direction	Min Operating Radius	Torsional Deflection (0.1Nm load at 1m length)		Rpm Max	Max Torque (Nm) v Bend Radius (mm)					
		Wind	Unwind		300mm	350mm	500mm	600mm	800mm	1000mm
A & C	300	0.27°	0.23°	2000	12.50Nm	14.00Nm	16.00Nm	18.00Nm	20.00Nm	25.00Nm
B	300	0.06°	0.13°	1500	20.00Nm	28.00Nm	35.00Nm	40.00Nm	45.00Nm	50.00Nm

Part Number	Bore	Max Speed A & C Rpm	Price Each 1 - 4					
			500mm	1000mm	1500mm	2000mm	2500mm	3000mm
FD16-L	Ø16	2000	£318.93	£384.48	£450.00	£515.61	£587.92	£646.68

Material

Shafts & Ends: Steel 070M420 with plastic cover

Ordering

Please specify after part number :-

Direction:

C = Clockwise rotation,

B = Bi-direction rotation,

A = Anti-clockwise rotation.

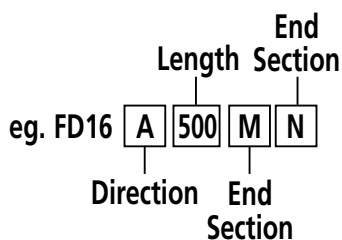
Length:

L = Length (mm) (other lengths available eg. 375mm at 500mm price)

End Type (Ball Bearing):

M = 4mm Nuts (supplied both ends as standard)

N = M6 Grubscrew (available on request)



+44 (0)1246 455500

+44 (0)1246 455522

ondrives

sales@ondrives.com

www.ondrives.com

Product information updated 1st April 2011 and subject to change. Please contact Sales for the latest prices and availability.

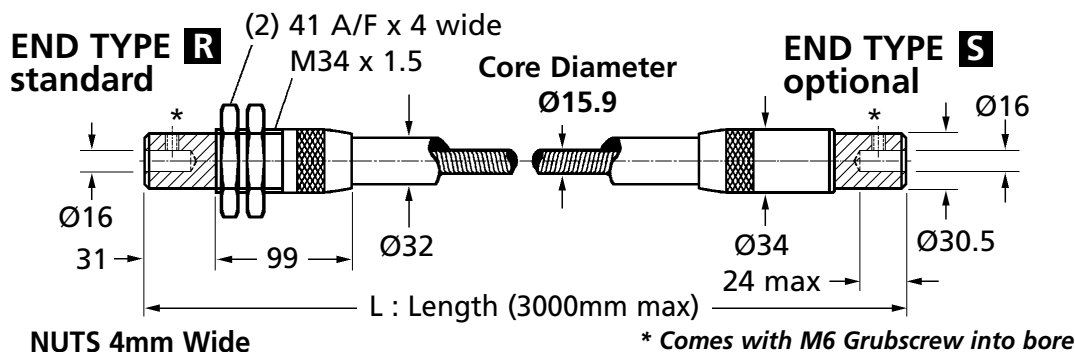
COUPLINGS

FDQ16

Masterflex - Flexible Drive Shaft

Oilite Bush Type : 12.5 - 50Nm, 16mm Bores

Shaft Size 16 - Normal Duty with Oilite Bushes



▨ = Rotating part (between ▨ is the static portion which requires securing)

Discounts: 5+ -5% | 25+ -10%

Direction	Min Operating Radius	Torsional Deflection (0.1Nm load at 1m length)		Rpm Max	Max Torque (Nm) v Bend Radius (mm)					
		Wind	Unwind		300mm	350mm	500mm	600mm	800mm	1000mm
A & C	300	0.27°	0.23°	500	12.50Nm	14.00Nm	16.00Nm	18.00Nm	20.00Nm	25.00Nm
B	300	0.06°	0.13°	200	20.00Nm	28.00Nm	35.00Nm	40.00Nm	45.00Nm	50.00Nm

Part Number	Bore	Max Speed A & C Rpm	Price Each 1 - 4					
			500mm	1000mm	1500mm	2000mm	2500mm	3000mm
FDQ16-L	Ø16	500	£267.31	£332.89	£398.43	£463.99	£530.13	£595.52

Material

Shafts & Ends: Steel 070M420 with plastic cover

Ordering

Please specify after part number :-

Direction:

- C = Clockwise rotation,
- B = Bi-direction rotation,
- A = Anti-clockwise rotation.

Length:

L = Length (mm) (other lengths available eg. 375mm at 500mm price)

End Type (Oilite Bushes):

- R = 4mm Nuts (supplied both ends as standard)
- S = M6 Grubscrew (available on request)

