

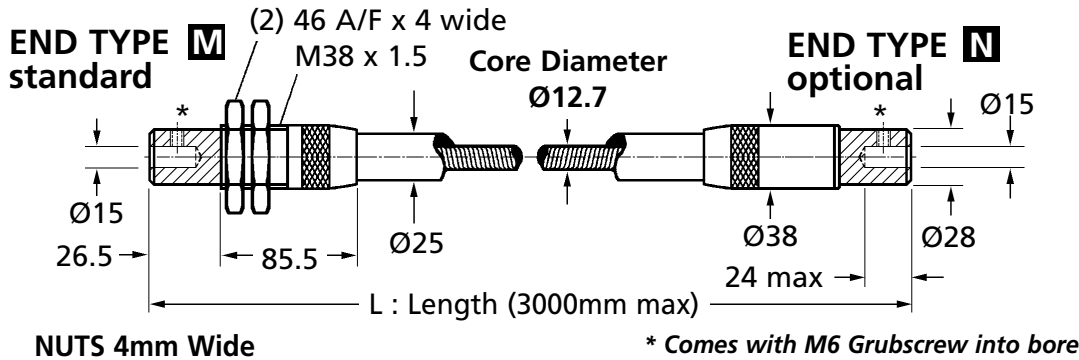
**FD13**

# COUPLINGS

## Masterflex - Flexible Drive Shaft

Ball Bearing Type : 10 - 56Nm, 15mm Bores

### Shaft Size 13 - High Duty with Ball Bearings



▨ = Rotating part (between ▨ is the static portion which requires securing)

**Discounts:** 5+ -5% 25+ -10%

Direction	Min Operating Radius	Torsional Deflection (0.1Nm load at 1m length)		Rpm Max	Max Torque (Nm) v Bend Radius (mm)					
		Wind	Unwind		250mm	300mm	350mm	500mm	600mm	1000mm
A & C	250	0.20°	0.47°	4000	7.90Nm	10.00Nm	12.00Nm	13.00Nm	14.00Nm	15.00Nm
B	250	0.11°	0.20°	2000	23.00Nm	32.00Nm	41.00Nm	49.00Nm	55.00Nm	56.00Nm

Part Number	Bore	Max Speed A & C Rpm	Price Each 1 - 4					
			500mm	1000mm	1500mm	2000mm	2500mm	3000mm
FD13-L	$\varnothing 15$	4000	£254.43	£301.32	£348.88	£395.14	£443.18	£488.95

### Material

Shafts &amp; Ends: Steel 070M420 with plastic cover

### Ordering

Please specify after part number :-

**Direction:**

C = Clockwise rotation,

B = Bi-direction rotation,

A = Anti-clockwise rotation.

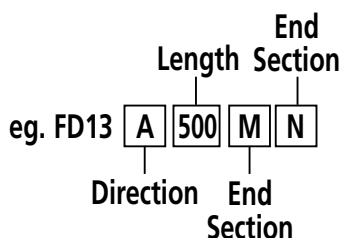
**Length:**

L = Length (mm) (other lengths available eg. 375mm at 500mm price)

**End Type (Ball Bearing):**

M = 4mm Nuts (supplied both ends as standard)

N = M6 Grubscrew (available on request)



+44 (0)1246 455500

+44 (0)1246 455522

**ondrives**

sales@ondrives.com

www.ondrives.com

Product information updated 1st April 2011 and subject to change. Please contact Sales for the latest prices and availability.

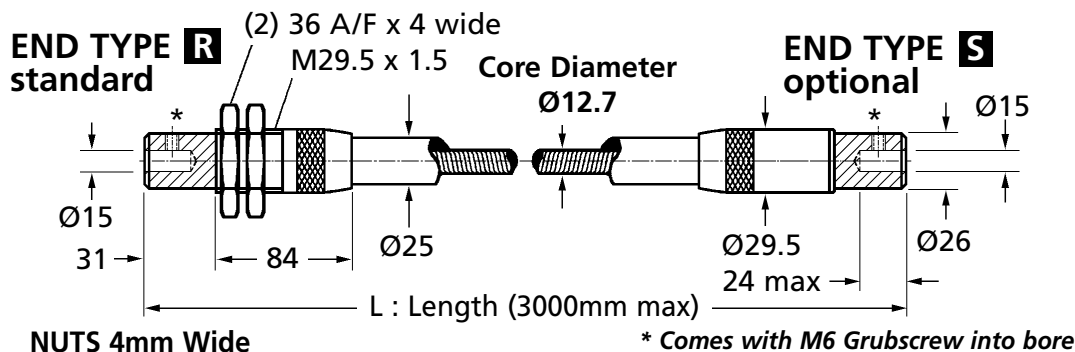
# COUPLINGS

**FDQ13**

## Masterflex - Flexible Drive Shaft

Oilite Bush Type : 10 - 56Nm, 15mm Bores

### Shaft Size 13 - Normal Duty with Oilite Bushes



▨ = Rotating part (between ▨ is the static portion which requires securing)

**Discounts:** 5+ -5% | 25+ -10%

Direction	Min Operating Radius	Torsional Deflection (0.1Nm load at 1m length)		Rpm Max	Max Torque (Nm) v Bend Radius (mm)					
		Wind	Unwind		250mm	300mm	350mm	500mm	600mm	1000mm
A & C	250	0.20°	0.47°	2000	7.90Nm	10.00Nm	12.00Nm	13.00Nm	14.00Nm	15.00Nm
B	250	0.11°	0.20°	200	23.00Nm	32.00Nm	41.00Nm	49.00Nm	55.00Nm	56.00Nm

Part Number	Bore	Max Speed A & C Rpm	Price Each 1 - 4					
			500mm	1000mm	1500mm	2000mm	2500mm	3000mm
FDQ13-L	$\varnothing 15$	2000	£214.36	£261.88	£308.36	£355.28	£402.18	£449.10

### Material

Shafts & Ends: Steel 070M420 with plastic cover

### Ordering

Please specify after part number :-

#### Direction:

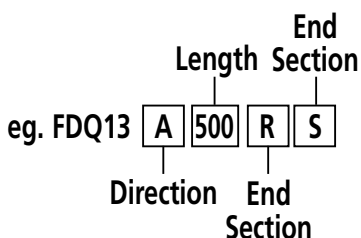
- C = Clockwise rotation,
- B = Bi-direction rotation,
- A = Anti-clockwise rotation.

#### Length:

L = Length (mm) (other lengths available eg. 375mm at 500mm price)

#### End Type (Oilite Bushes):

- R = 4mm Nuts (supplied both ends as standard)
- S = M6 Grubscrew (available on request)



+44 (0)1246 455500  
+44 (0)1246 455522

**ondrives**

sales@ondrives.com  
www.ondrives.com

Product information updated 1st April 2011 and subject to change. Please contact Sales for the latest prices and availability.