

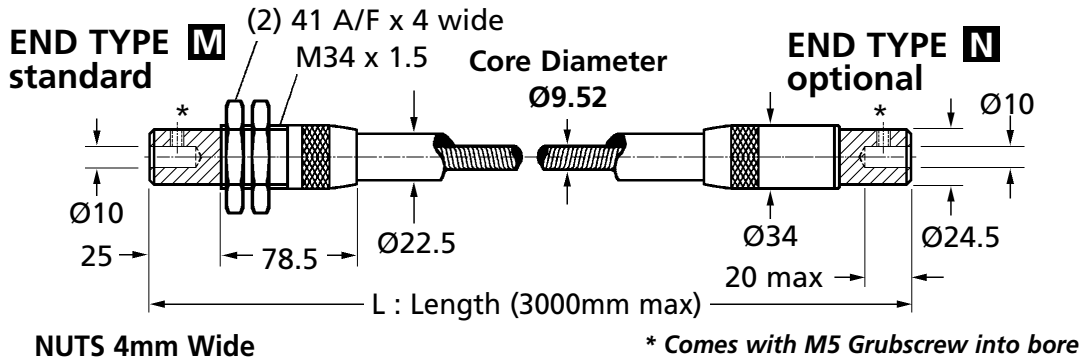
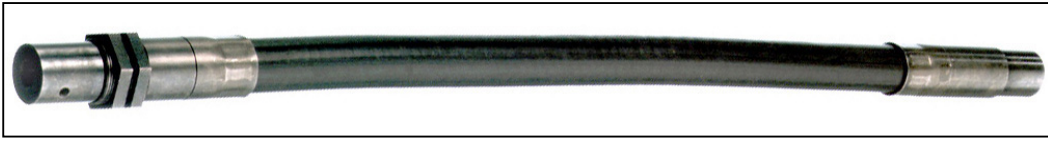
**FD9**

# COUPLINGS

## Masterflex - Flexible Drive Shaft

Ball Bearing Type : 4.5 - 28Nm, 10mm Bores

### Shaft Size 9 - High Duty with Ball Bearings



▨ = Rotating part (between ▨ is the static portion which requires securing)

**Discounts:** 5+ -5%    25+ -10%

Direction	Min Operating Radius	Torsional Deflection (0.1Nm load at 1m length)		Rpm Max	Max Torque (Nm) v Bend Radius (mm)					
		Wind	Unwind		200mm	250mm	250mm	350mm	500mm	600mm
A & C	200	0.90°	2.15°	6000	4.50Nm	5.40Nm	6.00Nm	6.55Nm	7.10Nm	7.25Nm
B	200	0.30°	0.63°	2000	13.00Nm	17.00Nm	20.00Nm	23.00Nm	26.00Nm	28.00Nm

Part Number	Bore	Max Speed A & C Rpm	Price Each 1 - 4					
			500mm	1000mm	1500mm	2000mm	2500mm	3000mm
FD9-L	Ø10	6000	£227.80	£261.37	£294.90	£328.46	£361.99	£395.55

### Material

Shafts &amp; Ends: Steel 070M420 with plastic cover

### Ordering

Please specify after part number :-

**Direction:**

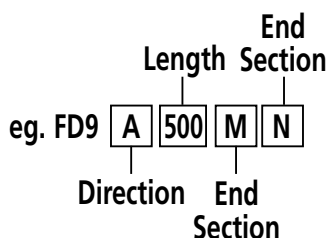
- C = Clockwise rotation,
- B = Bi-direction rotation,
- A = Anti-clockwise rotation.

**Length:**

L = Length (mm) (other lengths available eg. 375mm at 500mm price)

**End Type (Ball Bearing):**

- M = 4mm Nuts (supplied both ends as standard)
- N = M5 Grubscrew (available on request)



+44 (0)1246 455500  
+44 (0)1246 455522

**ondrives**

sales@ondrives.com  
www.ondrives.com

Product information updated 1st April 2011 and subject to change. Please contact Sales for the latest prices and availability.

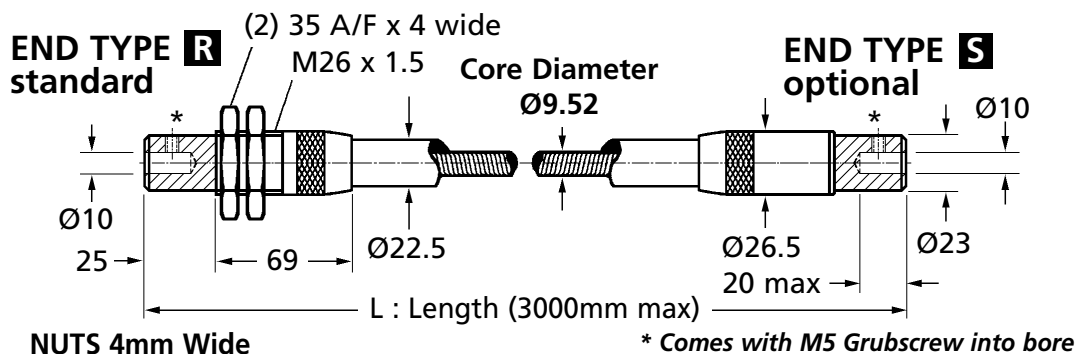
# COUPLINGS

**FDQ9**

## Masterflex - Flexible Drive Shaft

Oilite Bush Type : 4.5 - 28Nm, 10mm Bores

### Shaft Size 9 - Normal Duty with Oilite Bushes



▨ = Rotating part (between ▨ is the static portion which requires securing)

**Discounts:** 5+ -5% | 25+ -10%

Direction	Min Operating Radius	Torsional Deflection (0.1Nm load at 1m length)		Rpm Max	Max Torque (Nm) v Bend Radius (mm)					
		Wind	Unwind		200mm	250mm	250mm	350mm	500mm	600mm
A & C	200	0.90°	2.15°	2000	4.50Nm	5.40Nm	6.00Nm	6.55Nm	7.10Nm	7.25Nm
B	200	0.30°	0.63°	200	13.00Nm	17.00Nm	20.00Nm	23.00Nm	26.00Nm	28.00Nm

Part Number	Bore	Max Speed A & C Rpm	Price Each 1 - 4					
			500mm	1000mm	1500mm	2000mm	2500mm	3000mm
FDQ9-L	Ø10	2000	£191.32	£224.94	£258.40	£292.90	£331.78	£365.35

### Material

**Shafts & Ends:** Steel 070M420 with plastic cover

### Ordering

Please specify after part number :-

#### Direction:

- C = Clockwise rotation,
- B = Bi-direction rotation,
- A = Anti-clockwise rotation.

#### Length:

L = Length (mm) (other lengths available eg. 375mm at 500mm price)

#### End Type (Oilite Bushes):

- R = 4mm Nuts (supplied both ends as standard)
- S = M5 Grubscrew (available on request)

