

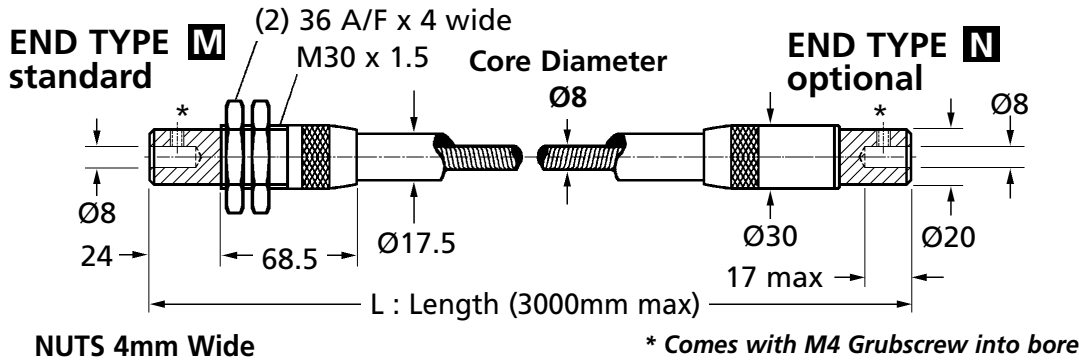
FD8

COUPLINGS

Masterflex - Flexible Drive Shaft

Ball Bearing Type : 2.7 - 18.5Nm, 8mm Bores

Shaft Size 8 - High Duty with Ball Bearings



▨ = Rotating part (between ▨ is the static portion which requires securing)

Discounts: 5+ -5% 25+ -10%

Direction	Min Operating Radius	Torsional Deflection (0.1Nm load at 1m length)		Rpm Max	Max Torque (Nm) v Bend Radius (mm)					
		Wind	Unwind		150mm	175mm	200mm	250mm	350mm	600mm
A & C	150	0.65°	1.25°	6000	2.70Nm	3.00Nm	3.60Nm	4.20Nm	4.75Nm	5.50Nm
B	200	0.50°	0.80°	2000	-	-	10.00Nm	12.50Nm	15.80Nm	18.50Nm

Part Number	Bore	Max Speed A & C Rpm	Price Each 1 - 4					
			500mm	1000mm	1500mm	2000mm	2500mm	3000mm
FD8-L	$\varnothing 8$	6000	£191.00	£212.97	£235.01	£257.08	£281.82	£300.98

Material

Shafts & Ends: Steel 070M420 with plastic cover

Ordering

Please specify after part number :-

Direction:

C = Clockwise rotation,

B = Bi-direction rotation,

A = Anti-clockwise rotation.

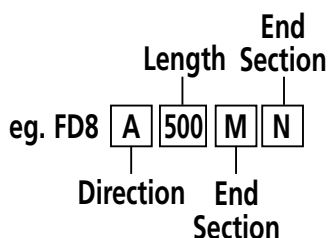
Length:

L = Length (mm) (other lengths available eg. 375mm at 500mm price)

End Type (Ball Bearing):

M = 4mm Nuts (supplied both ends as standard)

N = M4 Grubscrew (available on request)



+44 (0)1246 455500

+44 (0)1246 455522

ondrives

sales@ondrives.com

www.ondrives.com

Product information updated 22nd July 2011 and subject to change. Please contact Sales for an accurate price and delivery.

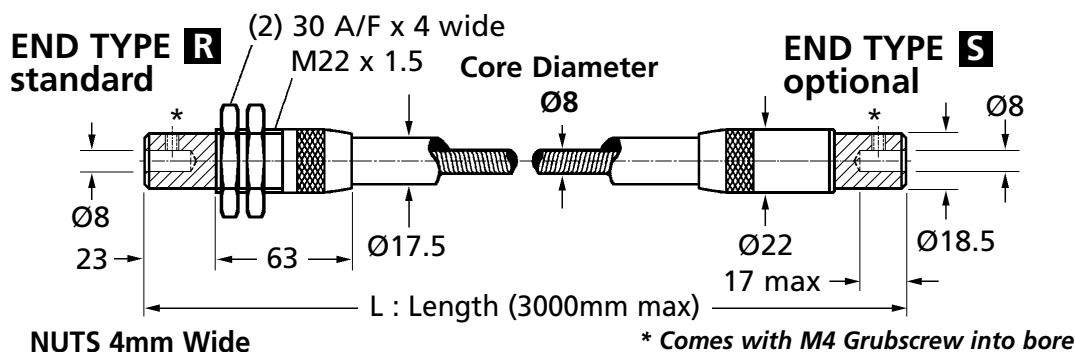
COUPLINGS

FDQ8

Masterflex - Flexible Drive Shaft

Oilite Bush Type : 2.7 - 18.5Nm, 8mm Bores

Shaft Size 8 - Normal Duty with Oilite Bushes



▨ = Rotating part (between ▨ is the static portion which requires securing)

Discounts: 5+ -5% | 25+ -10%

Direction	Min Operating Radius	Torsional Deflection (0.1Nm load at 1m length)		Rpm Max	Max Torque (Nm) v Bend Radius (mm)					
		Wind	Unwind		150mm	175mm	200mm	250mm	350mm	600mm
A & C	150	0.65°	1.25°	2000	2.70Nm	3.00Nm	3.60Nm	4.20Nm	4.75Nm	5.50Nm
B	200	0.50°	0.80°	200	-	-	10.00Nm	12.50Nm	15.80Nm	18.50Nm

Part Number	Bore	Max Speed A & C Rpm	Price Each 1 - 4					
			500mm	1000mm	1500mm	2000mm	2500mm	3000mm
FDQ8-L	Ø8	2000	£156.07	£177.88	£199.93	£222.02	£246.75	£265.91

Material

Shafts & Ends: Steel 070M420 with plastic cover

Ordering

Please specify after part number :-

Direction:

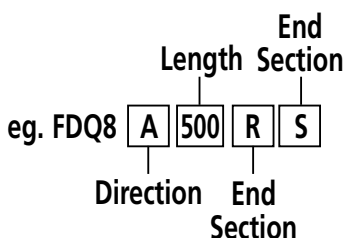
- C = Clockwise rotation,
- B = Bi-direction rotation,
- A = Anti-clockwise rotation.

Length:

L = Length (mm) (other lengths available eg. 375mm at 500mm price)

End Type (Oilite Bushes):

- R = 4mm Nuts (supplied both ends as standard)
- S = M4 Grubscrew (available on request)



+44 (0)1246 455500
+44 (0)1246 455522

ondrives

sales@ondrives.com
www.ondrives.com

Product information updated 22nd July 2011 and subject to change. Please contact Sales for an accurate price and delivery.