

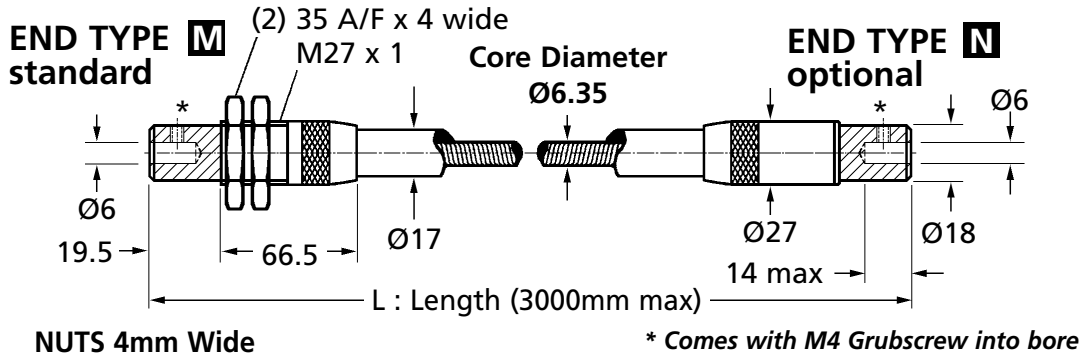
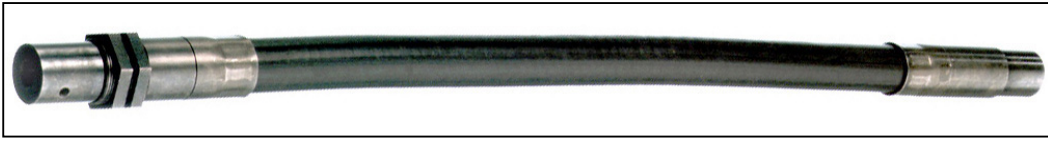
FD6

COUPLINGS

Masterflex - Flexible Drive Shaft

Ball Bearing Type : 0.8 - 10.5Nm, 6mm Bores

Shaft Size 6 - High Duty with Ball Bearings



▨ = Rotating part (between ▨ is the static portion which requires securing)

Discounts: 5+ -5% 25+ -10%

Direction	Min Operating Radius	Torsional Deflection (0.1Nm load at 1m length)		Rpm Max	Max Torque (Nm) v Bend Radius (mm)					
		Wind	Unwind		125mm	150mm	200mm	250mm	300mm	500mm
A & C	125	3.50°	8.75°	8000	0.80Nm	1.05Nm	1.35Nm	1.70Nm	2.25Nm	2.85Nm
B	125	1.50°	3.25°	3000	4.00Nm	5.00Nm	7.00Nm	8.00Nm	9.00Nm	10.50Nm

Part Number	Bore	Max Speed A & C Rpm	Price Each 1 - 4					
			500mm	1000mm	1500mm	2000mm	2500mm	3000mm
FD6-L	$\text{\O}6$	8000	£178.12	£202.73	£227.11	£251.46	£275.88	£314.34

Material

Shafts & Ends: Steel 070M420 with plastic cover

Ordering

Please specify after part number :-

Direction:

C = Clockwise rotation,

B = Bi-direction rotation,

A = Anti-clockwise rotation.

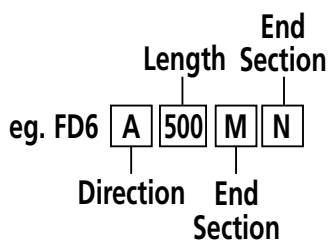
Length:

L = Length (mm) (other lengths available eg. 375mm at 500mm price)

End Type (Ball Bearing):

M = 4mm Nuts (supplied both ends as standard)

N = M4 Grubscrew (available on request)



+44 (0)1246 455500

+44 (0)1246 455522

ondrives

sales@ondrives.com

www.ondrives.com

Product information updated 1st April 2011 and subject to change. Please contact Sales for the latest prices and availability.

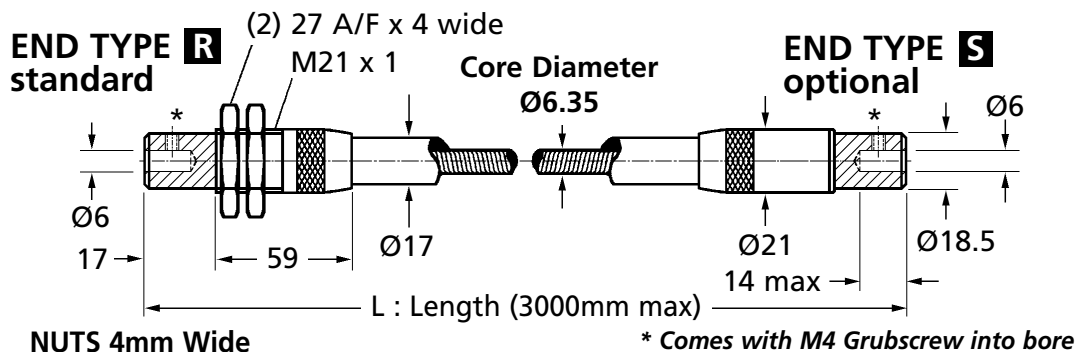
COUPLINGS

FDQ6

Masterflex - Flexible Drive Shaft

Oilite Bush Type : 0.8 - 10.5Nm, 6mm Bores

Shaft Size 6 - Normal Duty with Oilite Bushes



▨ = Rotating part (between ▨ is the static portion which requires securing)

Discounts: 5+ -5% | 25+ -10%

Direction	Min Operating Radius	Torsional Deflection (0.1Nm load at 1m length)		Rpm Max	Max Torque (Nm) v Bend Radius (mm)					
		Wind	Unwind		125mm	150mm	200mm	250mm	300mm	500mm
A & C	125	3.50°	8.75°	2000	0.80Nm	1.05Nm	1.35Nm	1.70Nm	2.25Nm	2.85Nm
B	125	1.50°	3.25°	200	4.00Nm	5.00Nm	7.00Nm	8.00Nm	9.00Nm	10.50Nm

Part Number	Bore	Max Speed A & C Rpm	Price Each 1 - 4					
			500mm	1000mm	1500mm	2000mm	2500mm	3000mm
FDQ6-L	Ø6	2000	£148.78	£173.41	£197.78	£222.16	£246.60	£285.03

Material

Shafts & Ends: Steel 070M420 with plastic cover

Ordering

Please specify after part number :-

Direction:

- C = Clockwise rotation,
- B = Bi-direction rotation,
- A = Anti-clockwise rotation.

Length:

L = Length (mm) (other lengths available eg. 375mm at 500mm price)

End Type (Oilite Bushes):

- R = 4mm Nuts (supplied both ends as standard)
- S = M4 Grubscrew (available on request)

