

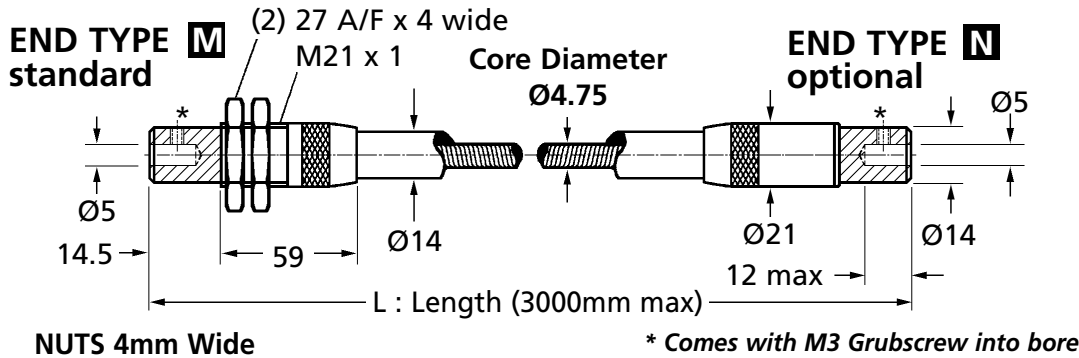
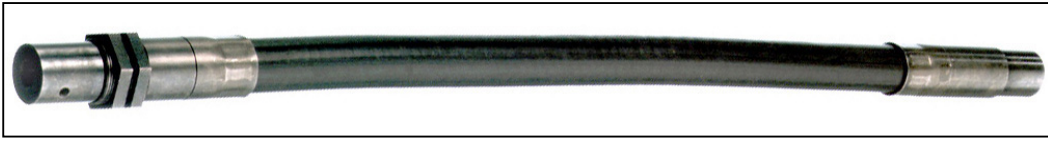
**FD5**

# COUPLINGS

## Masterflex - Flexible Drive Shaft

Ball Bearing Type : 0.26 - 2.6Nm, 5mm Bores

### Shaft Size 5 - High Duty with Ball Bearings



▨ = Rotating part (between ▨ is the static portion which requires securing)

**Discounts: 5+ -5% 25+ -10%**

Direction	Min Operating Radius	Torsional Deflection (0.1Nm load at 1m length)		Rpm Max	Max Torque (Nm) v Bend Radius (mm)					
		Wind	Unwind		100mm	125mm	150mm	200mm	300mm	500mm
A & C	100	9.30°	36.50°	12000	0.26Nm	0.56Nm	0.77Nm	0.90Nm	1.13Nm	1.60Nm
B	100	7.50°	17.00°	3000	1.30Nm	1.70Nm	2.05Nm	2.25Nm	2.40Nm	2.60Nm

Part Number	Bore	Max Speed A & C Rpm	Price Each 1 - 4					
			500mm	1000mm	1500mm	2000mm	2500mm	3000mm
FD5-L	$\text{\O}5$	12000	£148.50	£164.51	£180.53	£196.51	£212.58	£228.55

### Material

Shafts &amp; Ends: Steel 070M420 with plastic cover

### Ordering

Please specify after part number :-

**Direction:**

C = Clockwise rotation,

B = Bi-direction rotation,

A = Anti-clockwise rotation.

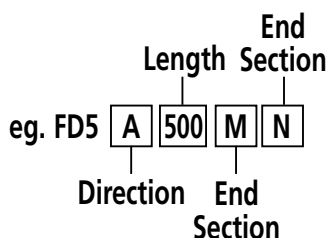
**Length:**

L = Length (mm) (other lengths available eg. 375mm at 500mm price)

**End Type (Ball Bearing):**

M = 4mm Nuts (supplied both ends as standard)

N = M3 Grubscrew (available on request)



+44 (0)1246 455500

+44 (0)1246 455522

**ondrives**

sales@ondrives.com

www.ondrives.com

Product information updated 1st April 2011 and subject to change. Please contact Sales for the latest prices and availability.

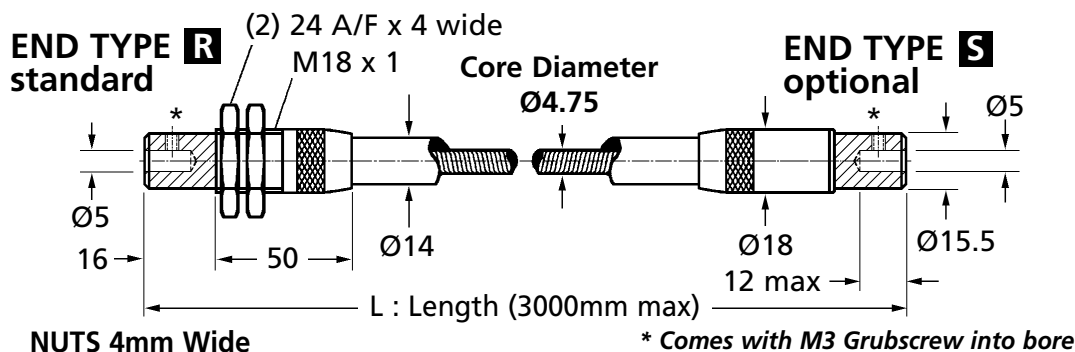
# COUPLINGS

**FDQ5**

## Masterflex - Flexible Drive Shaft

Oilite Bush Type : 0.26 - 2.6Nm, 5mm Bores

### Shaft Size 5 - Normal Duty with Oilite Bushes



▨ = Rotating part (between ▨ is the static portion which requires securing)

**Discounts:** 5+ -5% | 25+ -10%

Direction	Min Operating Radius	Torsional Deflection (0.1Nm load at 1m length)		Rpm Max	Max Torque (Nm) v Bend Radius (mm)					
		Wind	Unwind		100mm	125mm	150mm	200mm	300mm	500mm
A & C	100	9.30°	36.50°	2000	0.26Nm	0.56Nm	0.77Nm	0.90Nm	1.13Nm	1.60Nm
B	100	7.50°	17.00°	200	1.30Nm	1.70Nm	2.05Nm	2.25Nm	2.40Nm	2.60Nm

Part Number	Bore	Max Speed A & C Rpm	Price Each 1 - 4					
			500mm	1000mm	1500mm	2000mm	2500mm	3000mm
FDQ5-L	Ø5	2000	£130.36	£138.70	£153.46	£170.71	£186.77	£202.75

### Material

Shafts & Ends: Steel 070M420 with plastic cover

### Ordering

Please specify after part number :-

#### Direction:

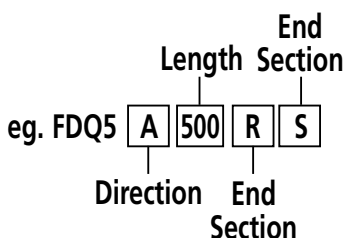
- C = Clockwise rotation,
- B = Bi-direction rotation,
- A = Anti-clockwise rotation.

#### Length:

L = Length (mm) (other lengths available eg. 375mm at 500mm price)

#### End Type (Oilite Bushes):

- R = 4mm Nuts (supplied both ends as standard)
- S = M3 Grubscrew (available on request)



+44 (0)1246 455500  
+44 (0)1246 455522

**ondrives**

sales@ondrives.com  
www.ondrives.com

Product information updated 1st April 2011 and subject to change. Please contact Sales for the latest prices and availability.