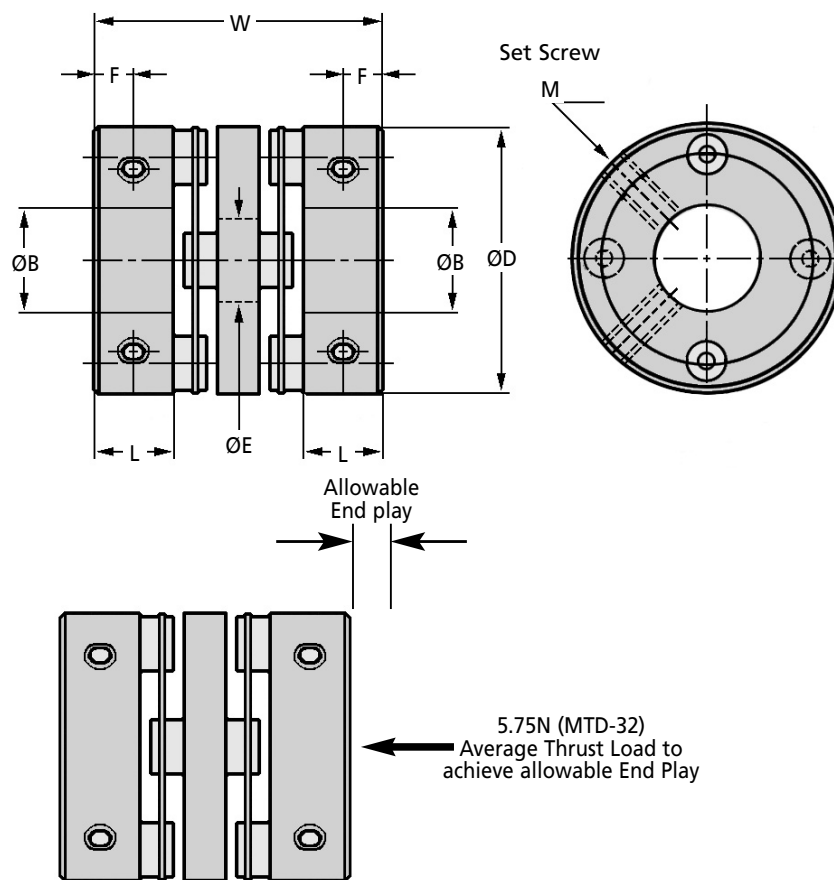
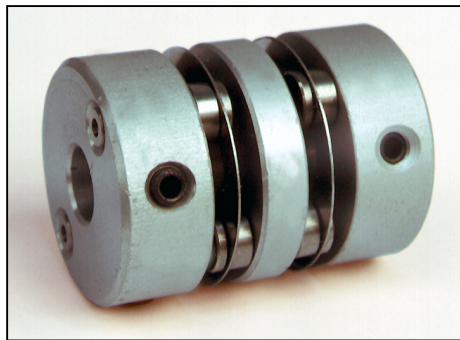


MTD*e-cad
Drawings
Available*

COUPLINGS

Miniature Flexible Disc Coupling

Backlash Free, Set Screw Fixing : 0.5 - 4Nm, 3 - 14mm Bores

**Discounts:** 6+ -10% 16+ -15% 41+ -20% 100+ -25%

Part Number	Max. Rpm	Mass g	Moment of Inertia kg·m ²	Static Torsional Stiffness Nm/rad	Max. Parallel Offset	Max. Working Angle	Max. Axial Play
MTD-20	19000	21	1.2 x 10 ⁻⁶	120	0.10	1.0°	±0.40
MTD-25	15000	27	2.6 x 10 ⁻⁶	210	0.15	1.5°	±0.50
MTD-32	12000	43	6.7 x 10 ⁻⁶	230	0.15	2.0°	±0.60

Part Number	ØD	Bore Both Ends ØB	Max. Bore ØB	ØE	F	L	W	M	Rated Torque Nm	Max. Torque Nm	Price Each 1 - 5
MTD-20	20	3.00	8	6	3.7	7.50	27.30	M3	0.50	1	£32.80
MTD-25	25	6.00	12	10	3.7	7.50	27.40	M3	1.00	2	£33.85
MTD-32	32	8.00	14	15	3.7	7.50	27.50	M4	2.00	4	£36.33

Material

Hub & Spacer: Aluminium (A2011) Pin: Stainless Steel (SUS301) Disc: Stainless Steel (SUS303)

Performance

Maximum Temperature: +100°C Approx.

Extras

Boring Out: upto 25mm £4.84 per end. Add bore size required to end of part number eg. **MTD-20-5/6** (bored Ø5mm & Ø6mm)**Pin Hole:** Any Size £4.84 each. **Tapped Holes:** upto M8 incl. £7.17 each, over M8 £11.39 each. **Keyways:** Available subject to a minimum order quantity of 5 pieces P.O.A. due to being pre-formed prior to assembly. Keyways may be slotted after assembly but Ondrives Ltd. do not offer this service.

Other Info.

Lightweight, excellent response and high torsional stiffness. Zero backlash. Identical clockwise and anti-clockwise rotational characteristics. Stainless steel discs completely absorb eccentricity, angularity and end play. Easy attachment on shaft by set screws.

+44 (0)1246 455500
+44 (0)1246 455522**ondrives**sales@ondrives.com
www.ondrives.com

Product information updated 1st April 2011 and subject to change. Please contact Sales for the latest prices and availability.