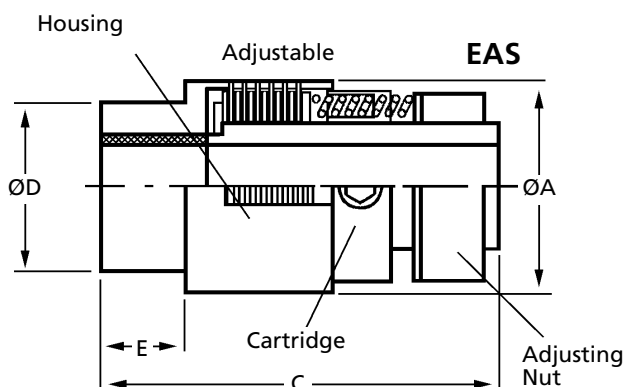
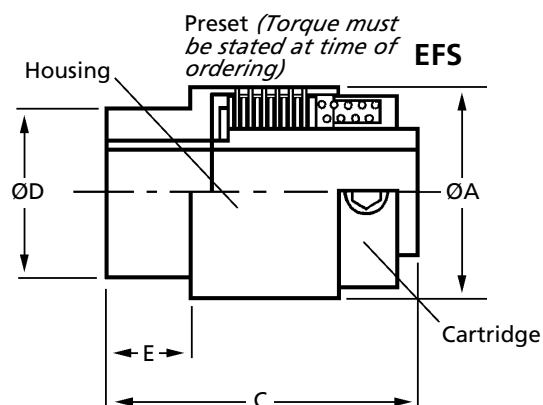
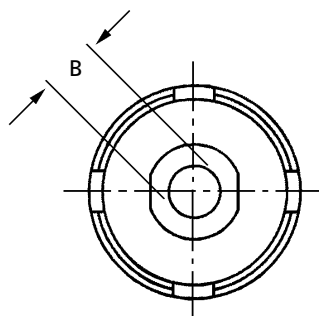
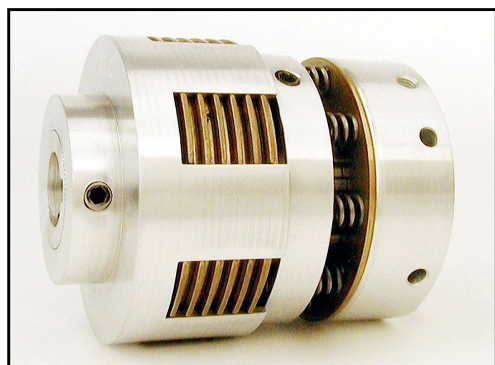


**EFS
EAS**

COUPLINGS

Slip-Ease Friction Clutches

0.01Nm - 60Nm Adjustable, 8 - 32mm Bores



ADJUSTABLE TORQUE - For shaft to shaft coupling. Set screw housings in both housing and cartridge.

Discounts: 5+ -5% 20+ -10% 50+ -15% 100+ -20%

Part Number	ØA	(+0.05 -0.00)		C	ØD	E
		ØB Std.	ØB Max.			
EFS20	25.40	8.00	10.00	30.23	19.05	6.35
EAS20	25.40	8.00	10.00	38.10	19.05	6.35
EFS24	34.90	10.00	13.00	50.80	25.40	9.40
EAS24	34.90	10.00	13.00	63.50	25.40	9.40
EFS32	41.28	12.00	16.00	47.50	34.93	12.70
EAS32	41.28	12.00	16.00	61.98	34.93	12.70
EFS44	57.15	12.00	16.00	47.50	41.28	12.70
EAS44	57.15	12.00	16.00	61.98	41.28	12.70
EAS52	82.55	20.00	32.00	101.60	50.80	12.70

Part Number	Capacity at 50 rpm Nm*	Capacity at 50 rpm Watts	Number of Springs	Friction Surfaces	Price Each 1 - 4
EFS20-8-xx	0.01 - 2.0	9.0	6	12	£P.O.A
EAS20-8	0.01 - 2.0	9.0	6	12	£143.79
EFS24-10-xx	0.05 - 3.0	14.5	6	12	£P.O.A
EAS24-10	0.05 - 3.0	14.5	6	12	£241.87
EFS32-12-xx	0.10 - 6.0	29.0	6	12	£P.O.A
EAS32-12	0.10 - 6.0	29.0	6	12	£307.25
EFS44-12-xx	0.10 - 9.0	43.0	6	12	£P.O.A
EAS44-12	0.10 - 9.0	43.0	6	12	£449.45
EAS52-20	3.00 - 60.0	250.0	9	12	£670.00

Ordering

Clutches supplied with standard bores - alternative bore sizes available P.O.A. Minimum order quantities may apply.

* When ordering EFS preset type replace **xx** in part number with torque value to be supplied eg. **EFS20-8-1.0** for 1.0Nm. Minimum quantity of 3 pieces apply. Higher torque version is available on models with 6 springs P.O.A. Add H to end of part number.

Other Info.

SLIP-EASE utilises an axial loaded multi-plate design. For applications where space is at a premium and low backlash is required.

Backlash of 2° as standard.