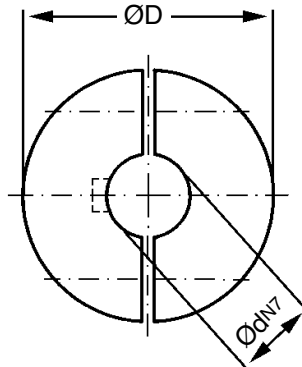
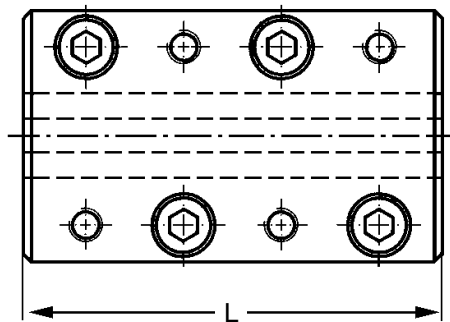
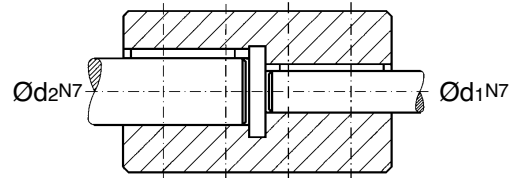
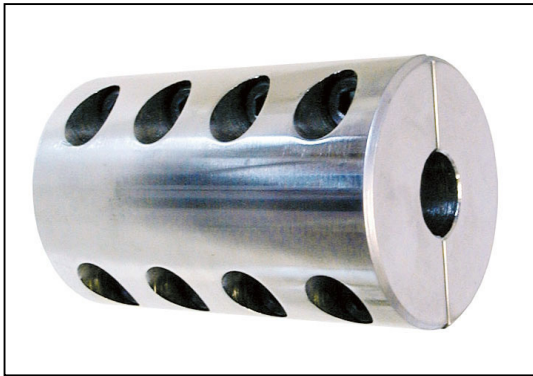


COUPLINGS

**SKB
SKB-SS**

Muff Coupling with Stepped Bore



XX = d2N7 Please specify your required stepped bore. Note: this is for half the coupling length. **Discounts: 5+ -10%**

Part Number		Hole d N7	With Keyway T Nm	Without Keyway T Nm	J Inertia kg/m ²	D	L	Attachment Screw	Weight kg	Price Each 1- 4 Steel
Steel	Stainless									
SKB20-XX	SKB20-XX	20	352	235	0.003	60	100	8xM8	2.20	£P.O.A
SKB25-XX	SKB25-XX	25	668	445	0.004	80	130	8xM10	4.40	£P.O.A
SKB30-XX	SKB30-XX	30	801	534	0.004	80	130	8xM10	4.20	£P.O.A
SKB35-XX	SKB35-XX	35	1126	750	0.005	80	160	8xM10	4.80	£P.O.A
SKB40-XX	SKB40-XX	40	1247	831	0.005	80	160	8xM10	4.50	£P.O.A
SKB45-XX	SKB45-XX	45	1546	1230	0.013	100	190	8xM10	8.90	£P.O.A
SKB50-XX	SKB50-XX	50	2052	1366	0.013	100	190	8xM10	8.35	£P.O.A
SKB55-XX	SKB55-XX	55	3015	2010	0.032	120	220	8xM10	14.66	£P.O.A
SKB60-XX	SKB60-XX	60	3286	2190	0.032	120	220	8xM10	13.90	£P.O.A
SKB70-XX	SKB70-XX	70	4836	3224	0.066	140	250	10xM12	21.50	£P.O.A
SKB80-XX	SKB80-XX	80	6804	4535	0.126	160	280	10xM12	31.50	£P.O.A
SKB90-XX	SKB90-XX	90	8383	5588	0.223	180	310	10xM16	44.10	£P.O.A
SKB100-XX	SKB100-XX	100	12480	8320	0.384	200	350	12xM16	61.50	£P.O.A
SKB110-XX	SKB110-XX	110	15840	10560	0.627	220	390	12xM16	82.90	£P.O.A
SKB120-XX	SKB120-XX	120	20646	13764	1.150	250	430	14xM16	118.00	£P.O.A
SKB140-XX	SKB140-XX	140	32634	21756	2.100	280	490	14xM20	168.70	£P.O.A
SKB160-XX	SKB160-XX	160	45120	30080	4.000	320	560	14xM24	251.00	£P.O.A
SKB180-XX	SKB180-XX	180	67392	44928	7.300	360	630	14xM24	359.00	£P.O.A
SKB200-XX	SKB200-XX	200	82680	55120	12.300	400	700	14xM27	492.00	£P.O.A
SKB220-XX	SKB220-XX	220	109048	72730	21.800	450	770	16xM30	692.00	£P.O.A
SKB240-XX	SKB240-XX	240	138384	92250	31.000	480	840	16xM30	850.00	£P.O.A
SKB260-XX	SKB260-XX	260	164424	109160	45.600	520	910	16xM36	1080.00	£P.O.A
SKB280-XX	SKB280-XX	280	205422	136900	71.300	570	980	16xM42	1400.00	£P.O.A
SKB300-XX	SKB300-XX	300	240320	158400	102.950	590	980	16xM42	3170.00	£P.O.A

Material

Steel C45 or Stainless Steel 1.4305

Ordering

e.g.: **SKB20-XXSS-K** = Muff Coupling SKB20-XX in Stainless Steel (1.4305) with a Keyway.

Note: These products are made to order.
Prices are dependant on quantity. Please contact Sales.
If a keyway is required please add -K to the end of the part number.

+44 (0)1246 455500
+44 (0)1246 455522

ondrives

sales@ondrives.com
www.ondrives.com

Product information updated 1st April 2011 and subject to change. Please contact Sales for the latest prices and availability.