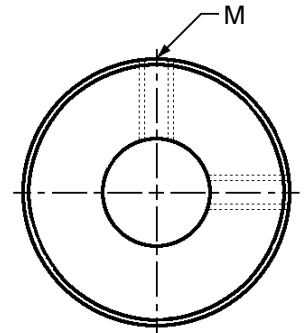
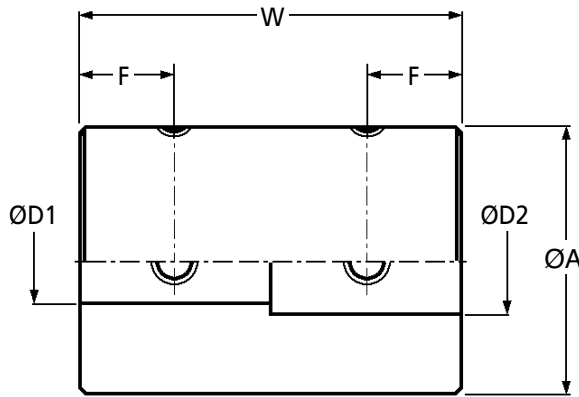


# COUPLINGS

## Miniature Stainless Steel Rigid Coupling

Set Screw Fixing

MRGS



**Discounts:** 6+ -10%   16+ -15%   41+ -20%   100+ -25%   200+ -30%   400+ -35%

Part Number	Standard Bores H8 ØD1   ØD2	Max. Bore	ØA	W	F	M	Price Each 1 - 5
MRGS-16	3   3	8	16	24	6	M3	£20.92
MRGS-20	5   5	10	20	30	7	M3	£24.72
MRGS-25	8   8	12	25	36	9	M4	£29.91
MRGS-32	12   12	16	32	41	10	M4	£33.98

Part Number	Wrench Torque (Nm)	Rated Torque (Nm)	Max. Torque (Nm)	Max. rev per min (rpm) (min <sup>-1</sup> )	Moment of Inertia (kg·m <sup>2</sup> )	Mass (g)
MRGS-16	0.7	0.3	0.6	24000	1.2x10 <sup>-6</sup>	28
MRGS-20	0.7	0.5	1.0	19000	3.5x10 <sup>-6</sup>	54
MRGS-25	1.7	1.0	2.0	15000	1.0x10 <sup>-5</sup>	100
MRGS-32	1.7	2.0	4.0	12000	3.1x10 <sup>-5</sup>	190

The maximum torque of the miniature coupling is two-fold of the rated torque.

Select a type in which torque generated during continuous operation does not exceed the rated torque of the miniature coupling.

### Material

303 Stainless Steel (SUS303)

### Performance

Maximum Operating Temperature: 150°C.(approx.)

### Ordering

e.g.

MRGS-25 - Ø8 x Ø10

Type \_\_\_\_\_

ØD1 \_\_\_\_\_

ØD2 \_\_\_\_\_

### Options

Keyways are available on request POA.  
Can be bored out for larger bore sizes.  
One-piece and two-piece clamp type.  
Aluminium version available

### Features

- Lightweight.
- High response.
- Minimum moment of inertia.
- Maintenance-free and excellent resistance to oil and chemicals.

### Other Info.

These rigid couplings transmit the torque and rotational angles while absorbing misalignments. When the misalignment exceeds allowable values, vibration may result or the life of the coupling may become shortened. Make sure to adjust the alignment accordingly.

There are three types of shaft misalignment, namely in terms of parallel misalignment, angular misalignment and shaft end-play. Adjust the alignment to be below allowable values listed in the specification table.

The maximum misalignment is the allowable value when only one of the misalignments exists alone. In case two or more misalignments exist at the same time, the allowable values shall be less than half of the maximum misalignment listed in the specification table.

We recommend you to adjust the shaft misalignment to be below 1/3 of maximum values for the elongation of the life of the coupling.

**Important:** Couplings and other rotational parts should be protected by covers for safety operation. Also, take note that operation under misalignment exceeding maximum values and excessive torque may result in shorter life of the coupling due to plastic deformation.