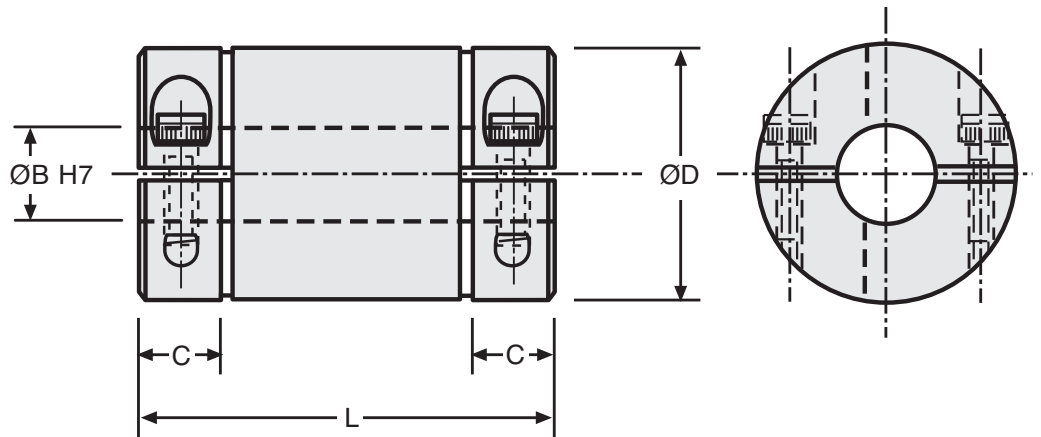
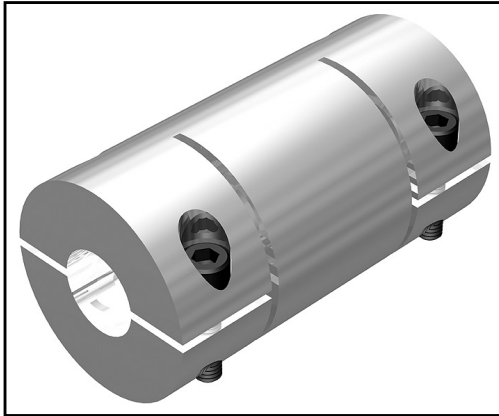


COUPLINGS

ICCA

Integral Clamp Collars

Clamp Fixing : 3 - 20mm Bores



Discounts: 20+ -15% 40+ -20% 60+ -25% 100+ -30+

Part Number	Bore ØB H7	Max Bore ØB	ØD	L	C	Clamp Screws	Moment of Inertia (kg·m ²)	Price Each 1 - 19
ALUMINIUM								
ICCA22-3	3	4.76	9.52	19.56	5.97	M1.6	1.16 x 10 ⁻⁷	£17.69
ICCA23-4	4	6.35	12.70	22.86	5.97	M2	4.38 x 10 ⁻⁷	£13.66
ICCA24-6	6	10.00	19.05	26.00	5.97	M2.5	2.41 x 10 ⁻⁶	£18.21
ICCA25-10	10	12.70	25.40	38.10	11.68	M3	1.10 x 10 ⁻⁵	£21.89
ICCA26-12	12	19.00	31.75	57.15	16.00	M4	4.09 x 10 ⁻⁵	£41.19
ICCA27-16	16	22.00	38.10	66.67	18.00	M5	9.76 x 10 ⁻⁵	£53.53
ICCA29-20	20	28.00	50.80	95.30	25.00	M6	4.50 x 10 ⁻⁴	£75.71
STAINLESS								
ICCA34-6	6	10.00	19.05	28.00	6.35	M2.5	2.67 x 10 ⁻⁶	£29.80
ICCA35-10	10	12.70	25.40	38.10	10.16	M3	1.14 x 10 ⁻⁵	£43.60
ICCA36-12	12	19.00	31.75	57.15	16.00	M4	4.21 x 10 ⁻⁵	£77.44
ICCA37-16	16	22.00	38.10	66.67	18.00	M5	1.01 x 10 ⁻⁴	£103.30
ICCA39-20	20	28.00	50.80	95.30	25.00	M6	4.65 x 10 ⁻⁴	£151.07

Material

ICCA2: Aluminium

ICCA3: Stainless Steel 303

Other Info.

Finished bore sizes to H7 limits.

Specials are available to your drawings

Other bore sizes and materials available. Please ask for a quote.

+44 (0)1246 455500

+44 (0)1246 455522

ondrives

sales@ondrives.com

www.ondrives.com

Product information updated 1st April 2011 and subject to change. Please contact Sales for the latest prices and availability.