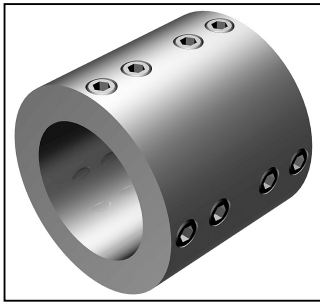


COUPLINGS

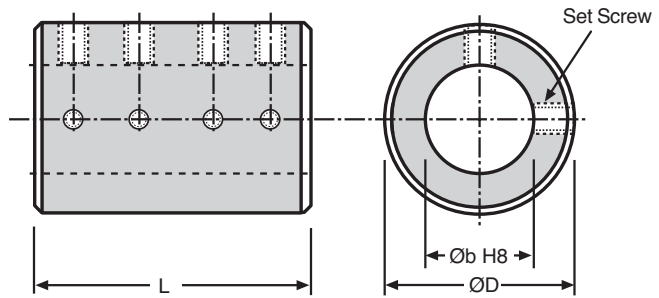
CL
CJ

Set Screw Shaft Collars

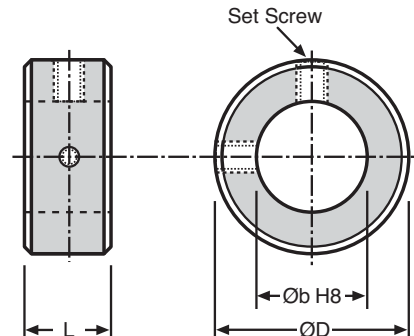
0.9 - 2,660Nm, 3 - 200mm Bores



CL Type



CJ Type



Discounts: 6+ -5% 20+ -10% 40+ -15% 60+ -20% 100+ -25% 500+ -30% 1000+ -35%

Part Number	Weight g	ØD	L	Øb H8	Set Screw	Moment of Inertia (kg·m ²)	Static Torque* Nm	Static Axial Thrust Load N	Price Each 1- 5
MILD STEEL									
CL3	12	10	20	3	M2.5	1.47x10 ⁻⁷	1.8	600	£17.68
CL4	21	14	20	4	M3	5.73x10 ⁻⁷	7.0	1600	£17.68
CL5	28	15	24	5	M3	8.99x10 ⁻⁷	8.8	1600	£17.68
CL6	32	16	24	6	M3	1.16x10 ⁻⁶	10.5	1600	£17.68
CL8	60	20	30	8	M4	3.51x10 ⁻⁶	25.0	3000	£20.07
CL10	53	20	30	10	M4	3.39x10 ⁻⁶	31.0	3000	£20.07
CL12	136	28	36	12	M5	1.61x10 ⁻⁵	57.6	4800	£22.76
CL15	121	28	36	15	M5	1.54x10 ⁻⁵	72.0	4800	£22.76
CL18	167	32	40	18	M6	2.87x10 ⁻⁵	121.0	6600	£25.84
CL20	145	32	40	20	M6	2.71x10 ⁻⁵	135.0	6600	£25.84
CL22	344	40	54	22	M8	9.48x10 ⁻⁵	255.0	11000	£28.99
CL24	316	40	54	24	M8	9.12x10 ⁻⁵	278.0	11000	£28.99
CL25	302	40	54	25	M8	8.90x10 ⁻⁵	290.0	11000	£28.99
CL26	290	40	54	26	M8	8.65x10 ⁻⁵	301.0	11000	£28.99
CL28	535	50	54	28	M8	2.30x10 ⁻⁴	324.0	11000	£32.70
CL30	502	50	54	30	M8	2.22x10 ⁻⁴	348.0	11000	£32.70
CL35	752	60	54	35	M8	4.21x10 ⁻⁴	406.0	11000	£34.33
CL40	635	60	54	40	M8	3.73x10 ⁻⁴	464.0	11000	£34.33

Material

CL & CJ22-CJ200: Mild Steel - chemically black (RoHS compliant)

CJ3 - CJ20: Stainless Steel 303S21

Performance

Grubscrew Tightening Torques: M2.5 = 0.6Nm, M3 = 1Nm, M4 = 2.5Nm, M5 = 4.7Nm, M6 = 7.7Nm, M8 = 17.8Nm, M10 = 35Nm, M12 = 55Nm.

Other Info.

* For reference only - Static Torque and Axial Load using steel cup point grubscrew onto a soft steel shaft. Variations on figures can be ±50%. Figures to be used as a guide only to conduct your own tests for your individual application. Non standard sizes available for CL range. Specials available for the CJ range. Please ask for a quote.

Part Number	Weight g	ØD	L	Øb H8	Set Screw	Moment of Inertia (kg·m ²)	Static Torque* Nm	Static Axial Thrust Load N	Price Each 1- 5
STAINLESS									
CJ3	3	10	6	3	M2.5	3.33x10 ⁻⁸	0.90	600	£8.02
CJ4	6	14	6	4	M3	1.09x10 ⁻⁷	3.50	1600	£8.02
CJ5	8	16	6	5	M3	1.78x10 ⁻⁷	4.00	1600	£8.02
CJ6	8	16	6	6	M3	1.75x10 ⁻⁷	5.25	1600	£8.02
CJ8	16	20	8	8	M4	5.75x10 ⁻⁷	12.50	3000	£9.84
CJ10	14	20	8	10	M4	5.49x10 ⁻⁷	15.50	3000	£9.84
CJ12	38	28	10	12	M5	2.66x10 ⁻⁶	28.00	4800	£13.09
CJ15	33	28	10	15	M5	2.51x10 ⁻⁶	36.00	4800	£13.09
CJ18	48	32	12	18	M6	5.09x10 ⁻⁶	60.00	6600	£14.38
CJ20	43	32	12	20	M6	4.78x10 ⁻⁶	67.00	6600	£14.38
MILD STEEL									
CJ22	99	40	15	22	M8	1.51x10 ⁻⁵	125.00	11000	£14.76
CJ24	88	40	15	24	M8	1.45x10 ⁻⁵	139.00	11000	£14.76
CJ25	85	40	15	25	M8	1.41x10 ⁻⁵	145.00	11000	£14.76
CJ26	80	40	15	26	M8	1.36x10 ⁻⁵	150.00	11000	£14.76
CJ28	150	50	15	28	M8	3.49x10 ⁻⁵	160.00	11000	£17.71
CJ30	140	50	15	30	M8	3.37x10 ⁻⁵	174.00	11000	£17.71
CJ35	208	60	15	35	M8	6.92x10 ⁻⁵	200.00	11000	£18.75
CJ40	200	60	15	40	M8	6.28x10 ⁻⁵	232.00	11000	£18.75
CJ45	258	70	15	45	M8	1.18x10 ⁻⁴	260.00	11000	£26.72
CJ50	216	70	15	50	M8	1.05x10 ⁻⁴	290.00	11000	£26.72
CJ55	611	90	20	55	M10	4.50x10 ⁻⁴	514.00	11000	£36.97
CJ60	544	90	20	60	M10	4.20x10 ⁻⁴	560.00	18000	£36.97
CJ65	778	98	24	65	M12	7.02x10 ⁻⁴	864.00	18000	£39.98
CJ70	685	98	24	70	M12	6.43x10 ⁻⁴	931.00	26000	£39.98
CJ75	878	108	24	75	M12	9.78x10 ⁻⁴	997.00	26000	£46.52
CJ80	766	108	24	80	M12	8.90x10 ⁻⁴	1064.00	26000	£46.52
CJ85	973	118	24	85	M12	1.32x10 ⁻³	1130.00	26000	£56.96
CJ90	848	118	24	90	M12	1.19x10 ⁻³	1197.00	26000	£56.96
CJ100	1806	150	24	100	M12	3.75x10 ⁻³	1330.00	26000	£80.97
CJ120	2611	180	24	120	M12	7.76x10 ⁻³	1596.00	26000	£86.89
CJ150	2546	200	24	150	M12	10.06x10 ⁻²	1995.00	26000	£92.06
CJ200	3285	250	24	200	M12	21.20x10 ⁻²	2660.00	26000	£134.33