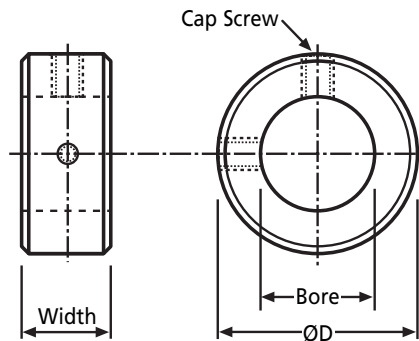
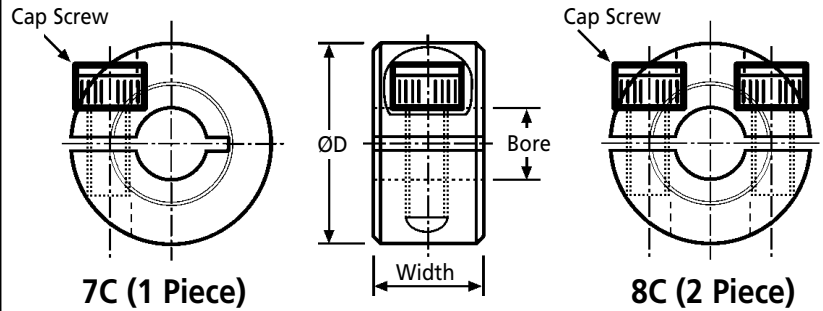


# COUPLINGS

6C  
7C  
8C

## Shaft Collars

316 Stainless : 12.7 - 25.4mm Bores



### 1 & 2 Piece Clamp Type Collars

Discounts: 50+ -10%    100+ -15%    200+ -20%    500+ -30%

Part Number		Bore Size		ØD		Width		Screw	Price Each 1 - 49	
1 Piece	2 Piece	mm	in.	mm	in.	mm	in.		1 Piece	2 Piece
7C008	8C008	12.70	½"	28.58	1 ⅛"	10.00	13/32"	8-32	£22.51	£39.40
7C010	8C010	15.88	5/8"	33.34	1 5/16"	11.11	7/16"	10-32	£24.38	£42.79
7C012	8C012	19.05	¾"	38.10	1 ½"	12.70	½"	¼"-28	£27.23	£47.13
7C100	8C100	25.40	1"	44.45	1 ¾"	12.70	½"	¼"-28	£30.10	£50.87

### Solid Set Screw Collars

Part Number	Bore Size		ØD		Width		Screw	Price Each 1 - 49
	mm	in.	mm	in.	mm	in.		
6C008	12.70	½"	28.58	1 ⅛"	10.00	13/32"	¼"-20	£21.67
6C010	15.88	5/8"	33.34	1 5/16"	11.11	7/16"	5/16"-18	£23.95
6C012	19.05	¾"	38.10	1 ½"	12.70	½"	5/16"-18	£26.76
6C100	25.40	1"	44.45	1 ¾"	12.70	½"	5/16"-18	£30.54

Recommended Screw Torque - Inch/Lbs.			Axial Load Capacity vs. Cap Screw Size			
Screw Size	Alloy Steel	Stainless Steel	Maximum Screw Torque		Axial Load	
			(in - lbs)	(Nm)	(lbs)	(kg)
4-40	16	9	17	1.92	200	90.72
6-32	30	17	30	3.39	300	136.08
8-32	50	29	60	6.78	400	181.44
10-32	76	45	90	10.17	700	317.52
¼"-28	170	110	190	21.46	1500	680.40
5/16"-24	325	190	435	49.15	3000	1360.80
¾"-24	570	345	750	84.74	5500	2494.80
½"-20	1370	850	1700	192.07	8500	3855.60

### Material

Stainless 316

### Features

- Stainless steel parts have A2 screws
- Easily Machinable
- 316 stainless collars provide extra corrosion resistance for use in harsh environments

### Other Info.

1 & 2 piece designs providing a popular choice for more corrosive applications.

+44 (0)1246 455500  
+44 (0)1246 455522

**ondrives**

sales@ondrives.com  
www.ondrives.com

Product information updated 1st April 2011 and subject to change. Please contact Sales for the latest prices and availability.