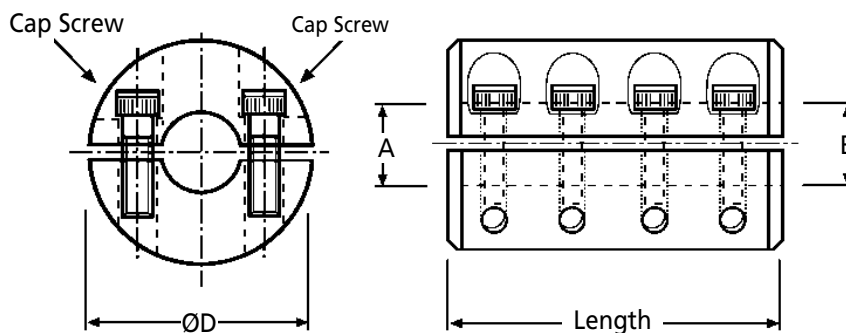


# COUPLINGS

**5LM-F**  
**5SM-F**

## Shaft Couplings

2-Piece Clamp Fixing : 6 - 50mm Bores



**Discounts:** 50+ -10%   100+ -15%   200+ -20%   500+ -30%

Part Number		Bore Dia. A	Bore Dia. B	ØD	Width	Screw	Price Each 1 - 49	
Steel	Stainless						Steel	Stainless
5LM006006F	5SM006006F	6	6	16	30	M3x8	£47.46	£71.98
5LM008008F	5SM008008F	8	8	18	30	M3x8	£55.26	£88.37
5LM009009F	5SM009009F	9	9	24	35	M3x10	£55.26	£76.33
5LM010010F	5SM010010F	10	10	24	35	M3x10	£61.83	£92.65
5LM012012F	5SM012012F	12	12	28	45	M4x12	£61.83	£92.65
5LM014014F	5SM014014F	14	14	30	50	M4x16	£71.17	£122.71
5LM015015F	5SM015015F	15	15	34	50	M5x16	£71.17	£122.71
5LM016016F	5SM016016F	16	16	34	50	M5x16	£71.17	£122.71
5LM018018F	5SM018018F	18	18	36	60	M5x16	£80.34	£156.71
5LM020020F	5SM020020F	20	20	40	65	M6x16	£82.11	£168.37
5LM025025F	5SM025025F	25	25	45	65	M6x16	£86.70	£185.66
5LM030030F	5SM030030F	30	30	54	75	M6x18	£130.91	£262.57
5LM035035F	5SM035035F	35	35	57	80	M6x18	£133.41	£370.53
5LM040040F	5SM040040F	40	40	60	90	M6x18	£140.79	£378.24
5LM045045F	5SM045045F	45	45	73	105	M6x18	£151.63	£417.30
5LM050050F	5SM050050F	50	50	78	120	M8x25	£162.90	£446.17

### Material

Steel 12L14 (9SMn Pb36)  
Stainless 303

### Other Info.

3 Piece couplings are also available - POA

### Features

- Come completely apart
- Assemble without moving shafts
- Precision machined
- High torsional load
- Non-marring
- Easy to install and adjust
- Use on hardened shafts
- Rigid clamp-type design
- Easily Machinable
- Steel parts are supplied with a black finish and alloy steel cap screws
- Available with stepped bores and keyways

+44 (0)1246 455500  
+44 (0)1246 455522

**ondrives**

sales@ondrives.com  
www.ondrives.com

Product information updated 1st April 2011 and subject to change. Please contact Sales for the latest prices and availability.