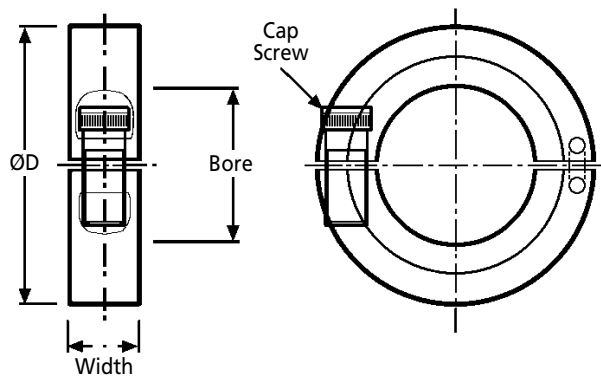


2LM-H
2SM-H

COUPLINGS

Shaft Collars

Hinged Shaft Clamps : 9 - 50mm Bores



Discounts: 50+ -10% 100+ -15% 200+ -20% 500+ -30%

Part Number		Bore Dia.	ØD	Width	Screw	Price Each 1 - 49	
Steel	Stainless					Steel	Stainless
2LM009H	2SM009H	9	24	9	M3x10	£P.O.A	£P.O.A
2LM010H	2SM010H	10	24	9	M3x10	£48.01	£P.O.A
2LM012H	2SM012H	12	28	11	M4x12	£39.03	£71.09
2LM014H	2SM014H	14	30	11	M4x16	£43.11	£P.O.A
2LM015H	2SM015H	15	34	13	M5x16	£41.96	£74.13
2LM016H	2SM016H	16	34	13	M5x16	£45.39	£P.O.A
2LM018H	2SM018H	18	36	13	M5x16	£48.30	£P.O.A
2LM020H	2SM020H	20	40	15	M6x16	£43.45	£77.68
2LM025H	2SM025H	25	45	15	M6x16	£44.90	£78.17
2LM030H	2SM030H	30	54	15	M6x18	£45.38	£80.23
2LM035H	2SM035H	35	57	15	M6x18	£67.17	£P.O.A
2LM040H	2SM040H	40	60	15	M6x18	£47.02	£81.76
2LM045H	2SM045H	45	73	19	M6x18	£P.O.A	£144.33
2LM050H	2SM050H	50	78	19	M8x25	£48.82	£104.63

Material

Steel 12L14 (9SMn Pb36)
Stainless 303

Other Info.

Fully split shaft collars feature hinged construction and a captive clamp screw simplifying assembly.

Features

- Convenient, easy-to-assemble design
- Same axial load handling capabilities as standard two piece collars
- Captive clamp screw eliminates lost screws
- The collars have a smooth I.D., O.D. & sides with no protruding pins or screws
- Easily Machinable
- Open completely
- Precision machined
- Non-marring
- Use on hardened shafts
- Use on tubing
- Use on split hubs
- Steel parts are supplied with a black finish and alloy steel cap screws
- Stainless steel parts have A2 screws

+44 (0)1246 455500
+44 (0)1246 455522

ondrives

sales@ondrives.com
www.ondrives.com

Product information updated 1st April 2011 and subject to change. Please contact Sales for the latest prices and availability.