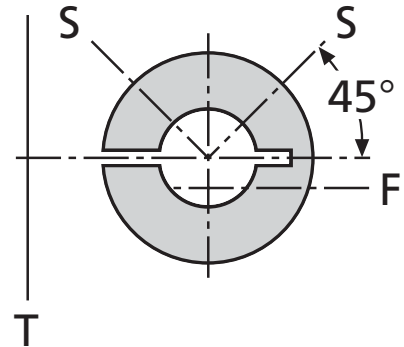
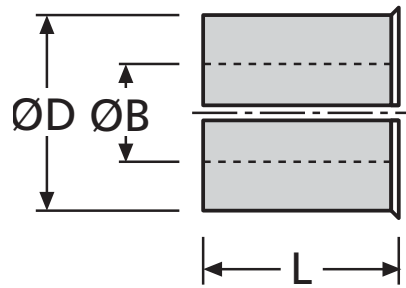
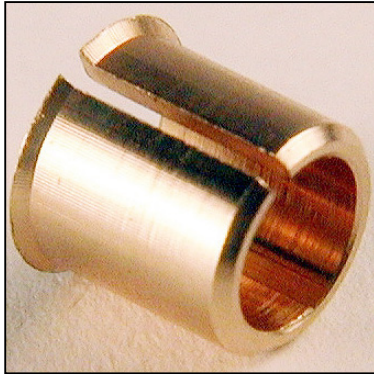


BRB

COUPLINGS

Bore Reducers

Brass : 2 - 6mm Bores, 5 - 8mm Outside Dia.

**Discounts: 10+ -8%**

Part Number	ØD	ØB	L	Price Each 1 - 9
BRB251-2	Ø5	2.00	4.30	£3.53
BRB251-3	Ø5	3.00	4.30	£3.53
BRB251-3.05	Ø5	3.05	4.30	£3.53
BRB251-3.18	Ø5	3.18	4.30	£3.53
BRB251-4	Ø5	4.00	4.30	£3.53
BRB253-2	Ø6.35	2.00	6.60	£3.53
BRB253-3	Ø6.35	3.00	6.60	£3.53
BRB253-3.05	Ø6.35	3.05	6.60	£3.53
BRB253-3.18	Ø6.35	3.18	6.60	£3.53
BRB253-4	Ø6.35	4.00	6.60	£3.53
BRB253-4.76	Ø6.35	4.76	6.60	£3.53
BRB253-5	Ø6.35	5.00	6.60	£3.53
BRB254-3	Ø8	3.00	5.80	£3.53
BRB254-3.05	Ø8	3.05	5.80	£3.53
BRB254-3.18	Ø8	3.18	5.80	£3.53
BRB254-4	Ø8	4.00	5.80	£3.53
BRB254-4.76	Ø8	4.76	5.80	£3.53
BRB254-5	Ø8	5.00	5.80	£3.53
BRB254-6	Ø8	6.00	5.80	£3.53
BRB255-3	Ø8	3.00	8.10	£3.53
BRB255-3.05	Ø8	3.05	8.10	£3.53
BRB255-3.18	Ø8	3.18	8.10	£3.53
BRB255-4	Ø8	4.00	8.10	£3.53
BRB255-4.76	Ø8	4.76	8.10	£3.53
BRB255-5	Ø8	5.00	8.10	£3.53
BRB255-6	Ø8	6.00	8.10	£3.53

Material

BRB Type: Brass

Performance

Bore Tolerances: +0.03mm -0.00mm ØD Tolerances: +0.03mm -0.05mm

Other Info.

For optimum fastening, install as shown:- S = Screws in set screw hub T = Tangential screw in clamp hub

F = Recommended orientation of flatted shaft in set screw hub.

Note: that both traction and concentricity may be affected with using an adaptor. For best results shafts with h6 tolerance or better are recommended. Undersized shafts become progressively less effective. For similar reasons, flatted shafts with more than ¼ of their diameter removed are not recommended.

+44 (0)1246 455500

+44 (0)1246 455522

ondrives

sales@ondrives.com

www.ondrives.com

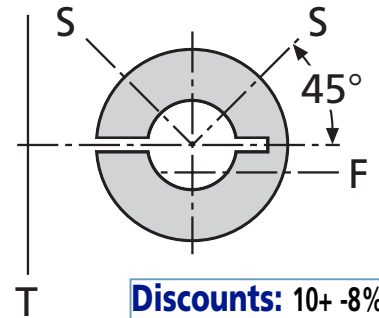
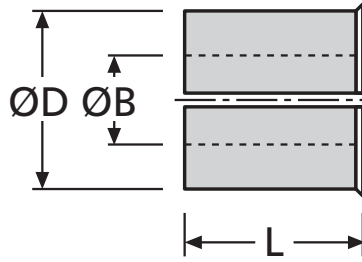
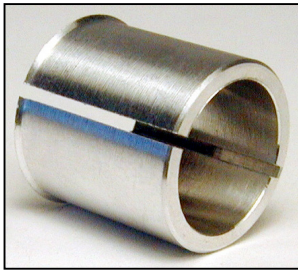
Product information updated 1st April 2011 and subject to change. Please contact Sales for the latest prices and availability.

COUPLINGS

BRA

Bore Reducers

Aluminium : 4 - 25.4mm Bores, 10 - 28mm Outside Dia.



Discounts: 10+ -8%

Part Number	ØD	ØB	L	Price Each 1 - 9
BRA257-4	Ø10	4.00	8.10	£5.08
BRA257-4.76	Ø10	4.76	8.10	£5.08
BRA257-5	Ø10	5.00	8.10	£5.08
BRA257-6	Ø10	6.00	8.10	£5.08
BRA257-6.35	Ø10	6.35	8.10	£5.08
BRA257-7	Ø10	7.00	8.10	£5.08
BRA257-7.94	Ø10	7.94	8.10	£5.08
BRA257-8	Ø10	8.00	8.10	£5.08
BRA259-5	Ø12.7	5.00	10.70	£5.08
BRA259-6	Ø12.7	6.00	10.70	£5.08
BRA259-6.35	Ø12.7	6.35	10.70	£5.08
BRA259-7	Ø12.7	7.00	10.70	£5.08
BRA259-7.94	Ø12.7	7.94	10.70	£5.08
BRA259-8	Ø12.7	8.00	10.70	£5.08
BRA259-9	Ø12.7	9.00	10.70	£5.08
BRA259-9.53	Ø12.7	9.53	10.70	£5.08
BRA259-10	Ø12.7	10.00	10.70	£5.08
BRA260-6	Ø16	6.00	13.20	£5.08
BRA260-6.35	Ø16	6.35	13.20	£5.08
BRA260-7	Ø16	7.00	13.20	£5.08
BRA260-7.94	Ø16	7.94	13.20	£5.08
BRA260-8	Ø16	8.00	13.20	£5.08
BRA260-9	Ø16	9.00	13.20	£5.08
BRA260-9.53	Ø16	9.53	13.20	£5.08
BRA260-10	Ø16	10.00	13.20	£5.08
BRA260-11	Ø16	11.00	13.20	£5.08
BRA260-12	Ø16	12.00	13.20	£5.08
BRA260-12.70	Ø16	12.70	13.20	£5.08
BRA260-14	Ø16	14.00	13.20	£5.08
BRA261-7.94	Ø20	7.938	20.00	£8.58
BRA261-8	Ø20	8.00	20.00	£8.58
BRA261-9	Ø20	9.00	20.00	£8.58
BRA261-9.53	Ø20	9.525	20.00	£8.58
BRA261-10	Ø20	10.00	20.00	£8.58
BRA261-11	Ø20	11.00	20.00	£8.58
BRA261-12	Ø20	12.00	20.00	£8.58

Part Number	ØD	ØB	L	Price Each 1 - 9
BRA261-12.7	Ø20	12.700	20	£8.58
BRA261-14	Ø20	14.000	20	£8.58
BRA261-15	Ø20	15.000	20	£8.58
BRA261-15.88	Ø20	15.875	20	£8.58
BRA261-16	Ø20	16.000	20	£8.58
BRA261-18	Ø20	18.000	20	£8.58
BRA262-9.53	Ø25.4	9.525	20	£9.92
BRA262-10	Ø25.4	10.000	20	£9.92
BRA262-11	Ø25.4	11.000	20	£9.92
BRA262-12	Ø25.4	12.000	20	£9.92
BRA262-12.7	Ø25.4	12.700	20	£9.92
BRA262-14	Ø25.4	14.000	20	£9.92
BRA262-15	Ø25.4	15.000	20	£9.92
BRA262-15.88	Ø25.4	15.875	20	£9.92
BRA262-16	Ø25.4	16.000	20	£9.92
BRA262-18	Ø25.4	18.000	20	£9.92
BRA262-19	Ø25.4	19.000	20	£9.92
BRA262-19.05	Ø25.4	19.050	20	£9.92
BRA262-20	Ø25.4	20.000	20	£9.92
BRA262-22	Ø25.4	22.000	20	£9.92
BRA262-22.23	Ø25.4	22.225	20	£9.92
BRA263-12	Ø28	12.000	25	£10.57
BRA263-12.7	Ø28	12.700	25	£10.57
BRA263-14	Ø28	14.000	25	£10.57
BRA263-15	Ø28	15.000	25	£10.57
BRA263-15.88	Ø28	15.875	25	£10.57
BRA263-16	Ø28	16.000	25	£10.57
BRA263-18	Ø28	18.000	25	£10.57
BRA263-19	Ø28	19.000	25	£10.57
BRA263-19.05	Ø28	19.050	25	£10.57
BRA263-20	Ø28	20.000	25	£10.57
BRA263-22	Ø28	22.000	25	£10.57
BRA263-22.23	Ø28	22.225	25	£10.57
BRA263-24	Ø28	24.000	25	£10.57
BRA263-25	Ø28	25.000	25	£10.57
BRA263-25.4	Ø28	25.400	25	£10.57

Material

BRA Type: Aluminium

Performance

Bore Tolerances: +0.03mm -0.00mm ØD Tolerances: +0.03mm -0.05mm

Other Info.

For optimum fastening, install as shown:- S = Screws in set screw hub T = Tangential screw in clamp hub

F = Recommended orientation of flattened shaft in set screw hub.

Note: that both traction and concentricity may be affected with using an adaptor. For best results shafts with h6 tolerance or better are recommended. Undersized shafts become progressively less effective. For similar reasons, flattened shafts with more than ¼ of their diameter removed are not recommended.

+44 (0)1246 455500
+44 (0)1246 455522

ondrives

sales@ondrives.com
www.ondrives.com

Product information updated 1st April 2011 and subject to change. Please contact Sales for the latest prices and availability.