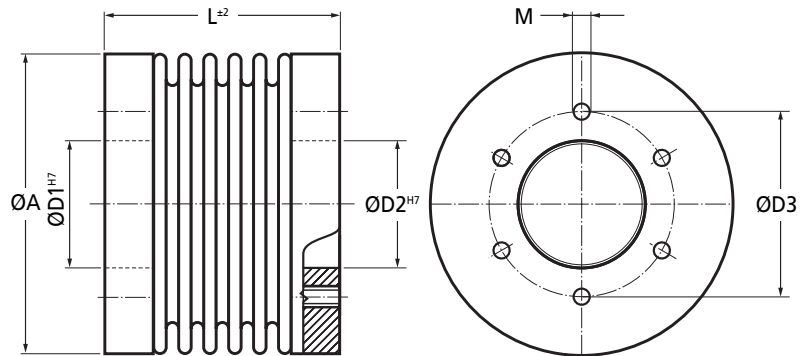


**OKB7**

# COUPLINGS

## Metal Bellows Couplings

for Flange Mounting : 18 - 5000Nm, 22 - 100mm Bores


**Discounts:** 5+ -4%   10+ -8%   25+ -12%   50+ -18%   100+ -22%

Part Number	Torque T <sub>KN</sub> Nm	L±2	ØA	ØD1/ØD2 (H7)	ØD3	M Thread	Price Each 1 - 4
OKB7/18-36	18	36	47	22	31	M5	£161.97
OKB7/18-44	18	44	47	22	31	M5	£161.97
OKB7/30-30	30	30	56	28	37	M5	£181.55
OKB7/30-38	30	38	56	28	37	M5	£181.55
OKB7/60-41	60	41	66	38	46	M6	£202.20
OKB7/60-51	60	51	66	38	46	M6	£202.20
OKB7/80-50	80	50	82	50	62	M6	£232.65
OKB7/80-62	80	62	82	50	62	M6	£232.65
OKB7/150-50	150	50	82	50	62	M6	£253.31
OKB7/150-62	150	62	82	50	62	M6	£253.31
OKB7/200-50	200	50	90	50	62	M6	£306.57
OKB7/200-63	200	63	90	50	62	M6	£306.57
OKB7/300-55	300	55	110	65	80	M8	£325.09
OKB7/300-66	300	66	110	65	80	M8	£325.09
OKB7/500-61	500	61	122	70	94	M8	£441.38
OKB7/500-72	500	72	122	70	94	M8	£441.38
OKB7/800-131	800	131	157	85	110	M16	£694.75
OKB7/1400-131	1400	131	157	85	110	M16	£965.50
OKB7/3000-131	3000	131	157	85	110	M16	£1533.26
OKB7/5000-146	5000	146	208	100	130	M16	£1685.46

Part Number	Mass kg	Moment of Inertia J kg m <sup>2</sup>	Spring Stiffness			Misalignment		
			Torsional C <sub>T</sub> Nm/rad	Radial C <sub>R</sub> N/mm	Axial C <sub>A</sub> N/mm	Radial ΔK <sub>r</sub> mm	Axial ΔK <sub>a</sub> mm	Angular ΔK <sub>w</sub> °
OKB7/18-36	0.128	0.042x10 <sup>-3</sup>	20x10 <sup>3</sup>	205	50	0.20	0.5	1.50
OKB7/18-44	0.137	0.045x10 <sup>-3</sup>	15x10 <sup>3</sup>	82	36	0.25	0.5	2.00
OKB7/30-30	0.174	0.083x10 <sup>-3</sup>	38x10 <sup>3</sup>	720	50	0.15	0.6	1.50
OKB7/30-38	0.192	0.093x10 <sup>-3</sup>	28x10 <sup>3</sup>	225	25	0.25	1.0	2.00
OKB7/60-41	0.270	0.193x10 <sup>-3</sup>	75x10 <sup>3</sup>	1150	90	0.15	0.6	1.50
OKB7/60-51	0.290	0.217x10 <sup>-3</sup>	50x10 <sup>3</sup>	340	50	0.25	1.0	2.00
OKB7/80-50	0.650	0.742x10 <sup>-3</sup>	128x10 <sup>3</sup>	1200	80	0.20	0.5	1.50
OKB7/80-62	0.690	0.805x10 <sup>-3</sup>	75x10 <sup>3</sup>	400	50	0.25	1.0	2.00
OKB7/150-50	0.660	0.75x10 <sup>-3</sup>	155x10 <sup>3</sup>	2020	145	0.20	0.5	1.50
OKB7/150-62	0.710	0.81x10 <sup>-3</sup>	105x10 <sup>3</sup>	595	85	0.25	1.0	2.00
OKB7/200-50	0.720	0.894x10 <sup>-3</sup>	175x10 <sup>3</sup>	2500	145	0.20	0.5	1.50
OKB7/200-63	0.780	0.989x10 <sup>-3</sup>	120x10 <sup>3</sup>	460	82	0.25	1.0	2.00
OKB7/300-55	1.180	2.431x10 <sup>-3</sup>	502x10 <sup>3</sup>	6300	280	0.20	0.5	1.50
OKB7/300-66	1.240	2.588x10 <sup>-3</sup>	285x10 <sup>3</sup>	1400	145	0.25	1.0	2.00
OKB7/500-61	1.940	4.808x10 <sup>-3</sup>	690x10 <sup>3</sup>	7790	100	0.20	0.5	1.50
OKB7/500-72	2.030	5.078x10 <sup>-3</sup>	320x10 <sup>3</sup>	970	85	0.25	1.0	2.00
OKB7/800-131	3.280	11.207x10 <sup>-3</sup>	760x10 <sup>3</sup>	500	185	0.20	0.8	1.75
OKB7/1400-131	3.330	11.421x10 <sup>-3</sup>	1270x10 <sup>3</sup>	700	275	0.20	0.8	1.75
OKB7/3000-131	3.370	11.651x10 <sup>-3</sup>	2810x10 <sup>3</sup>	2945	305	0.20	0.8	1.50
OKB7/5000-146	11.460	65.517x10 <sup>-3</sup>	4810x10 <sup>3</sup>	4915	505	0.20	0.8	1.50

### Material

Bellows: Stainless Steel

Hub: Steel (Stainless Steel available on request)

### Features

- Temperature range -30°C to +120°C

+44 (0)1246 455500

+44 (0)1246 455522

**ondrives**

sales@ondrives.com

www.ondrives.com

Product information updated 1st April 2011 and subject to change. Please contact Sales for the latest prices and availability.