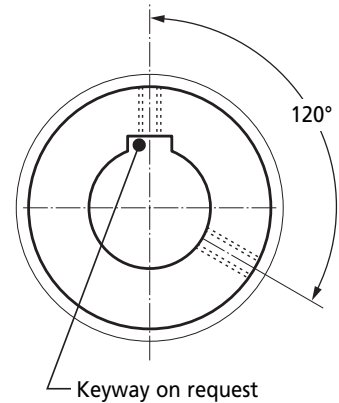
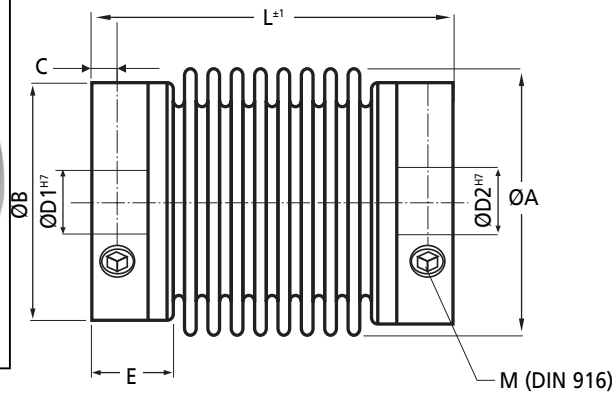


OKB1

COUPLINGS

Metal Bellows Couplings

with Set Screws : 0.1 - 10Nm, 1 - 24mm Bores



Discounts: 5+ -4% 10+ -8% 25+ -12% 50+ -18% 100+ -22%

Part Number	Torque T _{KN} Nm	L±1	ØA	ØD1/ØD2 (H7) min-max	ØB	C	E	M Thread	Tightening Torque T _A Nm	Price Each 1 - 4
OKB1/1-23	0.1	23	10	1-4	10.0	2	6	M3	0.5	£46.28
OKB1/5-19	0.5	19	15	3-8	13.5	2	6	M3	0.5	£53.43
OKB1/5-23	0.5	23	15	3-8	13.5	2	6	M3	0.5	£42.74
OKB1/5-27	0.5	27	15	3-8	13.5	2	6	M3	0.5	£42.74
OKB1/10-21	1.0	21	15	3-8	13.5	2	6	M3	0.5	£59.22
OKB1/10-25	1.0	25	15	3-8	13.5	2	6	M3	0.5	£47.36
OKB1/10-29	1.0	29	15	3-8	13.5	2	6	M3	0.5	£47.36
OKB1/15-26	1.5	26	19	3-12	19.0	3	8	M4	1.5	£56.52
OKB1/15-30	1.5	30	19	3-12	19.0	3	8	M4	1.5	£70.65
OKB1/20-22	2.0	22	24	3-14	21.5	3	6	M4	1.5	£57.65
OKB1/20-28	2.0	28	24	3-14	21.5	3	6	M4	1.5	£57.65
OKB1/20-32	2.0	32	24	3-14	21.5	3	6	M4	1.5	£72.07
OKB1/45-40	4.5	40	32	6-18	29.0	4	12	M6	3.0	£88.23
OKB1/45-48	4.5	48	32	6-18	29.0	4	12	M6	3.0	£110.30
OKB1/100-45	10.0	45	40	6-24	36.0	4	12	M6	3.0	£91.16
OKB1/100-55	10.0	55	40	6-24	36.0	4	12	M6	3.0	£113.95

Part Number	Mass g	Moment of Inertia J g cm ²	Spring Stiffness			Misalignment		Angular ΔKw °
			Torsional C _T Nm/rad	Radial C _R N/mm	Axial C _A N/mm	Radial ΔKr mm	Axial ΔKa mm	
OKB1/1-23	3.0	0.45	65	10	14	0.12	0.2	1.2
OKB1/5-19	4.0	1.30	260	43	13	0.10	0.2	1.0
OKB1/5-23	4.5	1.50	200	18	10	0.15	0.3	1.5
OKB1/5-27	5.0	1.60	160	9	8	0.20	0.4	2.0
OKB1/10-21	5.5	1.80	510	74	27	0.10	0.2	1.0
OKB1/10-25	6.0	2.00	380	31	20	0.15	0.3	1.5
OKB1/10-29	7.0	2.30	310	16	16	0.20	0.4	2.0
OKB1/15-26	10.0	6.00	750	59	15	0.10	0.3	1.5
OKB1/15-30	12.0	7.40	700	20	9	0.15	0.4	2.0
OKB1/20-22	11.0	9.20	1500	67	12	0.15	0.3	1.5
OKB1/20-28	13.0	12.60	1300	21	11	0.20	0.4	1.5
OKB1/20-32	15.0	13.50	1050	11	9	0.25	0.5	2.0
OKB1/45-40	44.0	68.00	6500	168	32	0.10	0.3	1.5
OKB1/45-48	50.0	79.00	4200	41	20	0.20	0.5	2.0
OKB1/100-45	60.0	150.00	8100	120	27	0.15	0.4	1.5
OKB1/100-55	79.0	210.00	6800	29	17	0.30	0.6	2.0

Material

Bellows: Stainless Steel

Hub: Aluminium (Stainless Steel available on request)

Features

- Max. speed 15000 min-1
- Bore tolerance H7
- Keyway acc. DIN 6885 optional
- Temperature range -30°C to +120°C

+44 (0)1246 455500
+44 (0)1246 455522

ondrives

sales@ondrives.com
www.ondrives.com

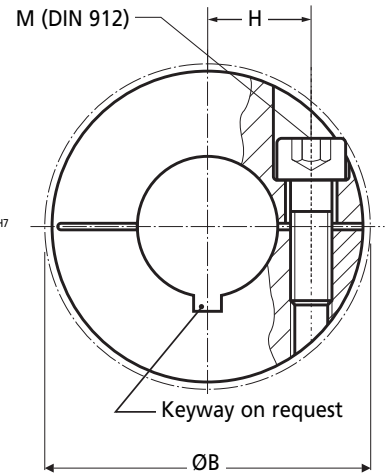
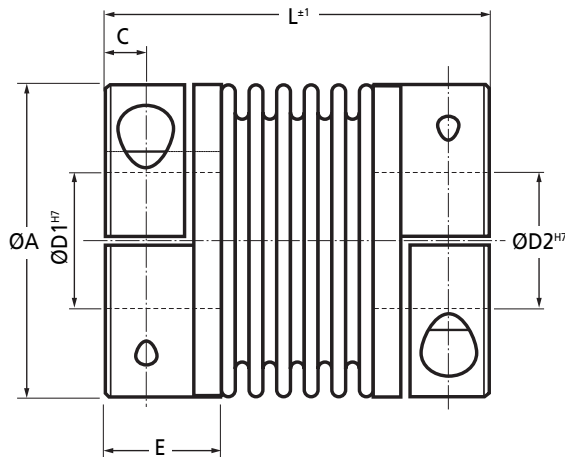
Product information updated 1st April 2011 and subject to change. Please contact Sales for the latest prices and availability.

COUPLINGS

OKB2

Metal Bellows Couplings

Clamp Fixing : 0.1 - 10Nm, 1 - 24mm Bores



Discounts: 5+ -4% 10+ -8% 25+ -12% 50+ -18% 100+ -22%

Part Number	Torque TKN Nm	L±1	ØA	ØD1/ØD2 (H7) min-max	H	C	ØB	E	M Thread	Tightening Torque TA Nm	Price Each 1 - 4
OKB2/1-25	0.1	25	10.0	1-4	3.4	2.0	11.0	7	M1.6	0.10	£77.74
OKB2/5-21	0.5	21	15.5	3-7	5.2	2.5	17.5	8	M2	0.43	£66.52
OKB2/5-25	0.5	25	15.5	3-7	5.2	2.5	17.5	8	M2	0.43	£66.52
OKB2/5-28	0.5	28	15.5	3-7	5.2	2.5	17.5	8	M2	0.43	£83.17
OKB2/10-23	1.0	23	15.5	3-8	5.2	2.5	17.5	8	M2	0.43	£69.45
OKB2/10-26	1.0	26	15.5	3-8	5.2	2.5	17.5	8	M2	0.43	£69.45
OKB2/10-31	1.0	31	15.5	3-8	5.2	2.5	17.5	8	M2	0.43	£86.82
OKB2/15-26	1.5	26	20.0	3-10	7.0	3.0	21.0	9	M2.5	0.85	£69.91
OKB2/15-31	1.5	31	20.0	3-10	7.0	3.0	21.0	9	M2.5	0.85	£69.91
OKB2/20-32	2.0	32	25.0	3-14	9.0	3.5	27.0	11	M3	2.00	£74.40
OKB2/20-38	2.0	38	25.0	3-14	9.0	3.5	27.0	11	M3	2.00	£74.40
OKB2/20-42	2.0	42	25.0	3-14	9.0	3.5	27.0	11	M3	2.00	£74.40
OKB2/45-41	4.5	41	32.5	6-16	12.0	5.0	34.0	14	M4	3.50	£110.11
OKB2/45-50	4.5	50	32.5	6-16	12.0	5.0	34.0	14	M4	3.50	£110.11
OKB2/100-48	10.0	48	40.5	6-22	15.5	5.0	41.5	14	M4	4.50	£145.82
OKB2/100-57	10.0	57	40.5	6-22	15.5	5.0	41.5	14	M4	4.50	£145.82

Part Number	Mass g	Moment of Inertia J g cm ²	Spring Stiffness			Misalignment		
			Torsional CT Nm/rad	Radial CR N/mm	Axial CA N/mm	Radial ΔKr mm	Axial ΔKa mm	Angular ΔKw °
OKB2/1-25	3.0	0.5	65	10	14	0.12	0.2	1.2
OKB2/5-21	7.5	2.7	260	43	13	0.10	0.2	1.0
OKB2/5-25	7.8	2.8	200	18	10	0.15	0.3	1.5
OKB2/5-28	8.2	3.0	160	9	8	0.20	0.4	2.0
OKB2/10-23	9.0	3.1	510	74	27	0.10	0.2	1.0
OKB2/10-26	9.3	3.4	380	31	20	0.15	0.3	1.5
OKB2/10-31	10.0	3.7	310	16	16	0.20	0.4	2.0
OKB2/15-26	13.0	8.0	750	59	15	0.10	0.3	1.5
OKB2/15-31	15.0	9.3	700	20	9	0.15	0.4	2.0
OKB2/20-32	29.0	24.0	1500	67	12	0.15	0.3	1.5
OKB2/20-38	32.0	27.0	1300	21	11	0.20	0.4	1.5
OKB2/20-42	33.0	29.0	1050	11	9	0.25	0.5	2.0
OKB2/45-41	61.0	100.0	6500	168	32	0.10	0.3	1.5
OKB2/45-50	67.0	112.0	4200	41	20	0.20	0.5	2.0
OKB2/100-48	86.0	233.0	8100	120	27	0.15	0.4	1.5
OKB2/100-57	106.0	290.0	6800	29	17	0.30	0.6	2.0

Material

Bellows: Stainless Steel

Hub: Aluminium (Stainless Steel available on request)

Features

- Max. speed 15000 min-1
- Bore tolerance H7
- Keyway acc. DIN 6885 optional
- Temperature range -30°C to +120°C

+44 (0)1246 455500

+44 (0)1246 455522

ondrives

sales@ondrives.com

www.ondrives.com

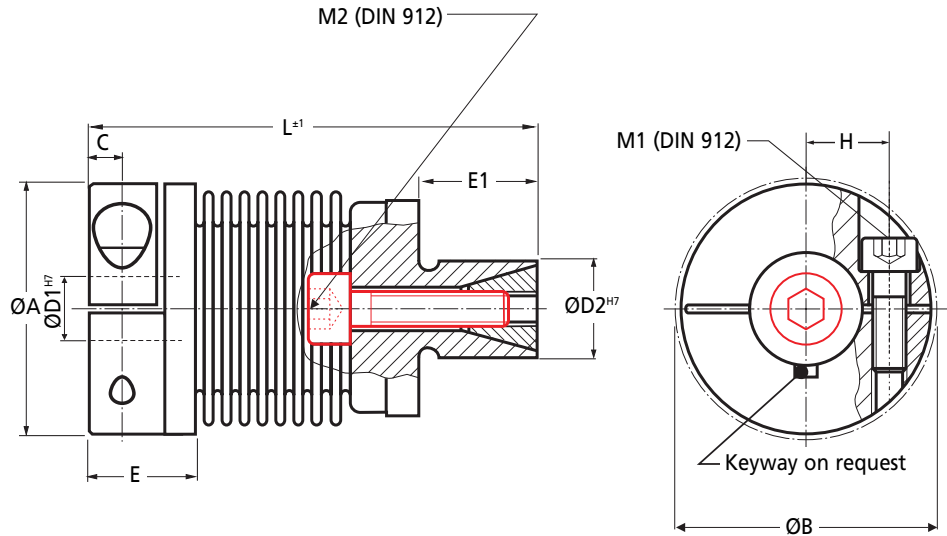
Product information updated 1st April 2011 and subject to change. Please contact Sales for the latest prices and availability.

OKB3

COUPLINGS

Metal Bellows Couplings

with Expanding Clamp : 0.5 - 10Nm, 3 - 22mm Bores

**Discounts: 5+ -4% 10+ -8% 25+ -12% 50+ -18% 100+ -22%**

Part Number	Torque TKN Nm	L±1	ØA	ØD1 (H7)		ØD2 (H7)	ØB	H	C	E	E1	Thread		Tightening Torque TA Nm		Price Each 1 - 4
				min-max								M1	M2	F	G	
OKB3/5-28	0.5	28	15.5	3-7		8	17.5	5.2	2.5	8	8	M2	M3	0.3	1.0	£82.58
OKB3/5-32	0.5	32	15.5	3-7		8	17.5	5.2	2.5	8	8	M2	M3	0.3	1.0	£82.58
OKB3/5-35	0.5	35	15.5	3-7		8	17.5	5.2	2.5	8	8	M2	M3	0.3	1.0	£103.22
OKB3/10-30	1.0	30	15.5	3-7		8	17.5	5.2	2.5	8	8	M2	M3	0.3	1.0	£89.47
OKB3/10-34	1.0	34	15.5	3-7		8	17.5	5.2	2.5	8	8	M2	M3	0.3	1.0	£89.47
OKB3/10-38	1.0	38	15.5	3-7		8	17.5	5.2	2.5	8	8	M2	M3	0.3	1.0	£111.82
OKB3/15-37	1.5	37	20.0	3-10		10	21.0	7.0	3.0	9	12	M2.5	M4	0.8	3.0	£122.69
OKB3/15-41	1.5	41	20.0	3-10		10	21.0	7.0	3.0	9	12	M2.5	M4	0.8	3.0	£153.36
OKB3/20-40	2.0	40	25.0	3-12.7		10	27.0	9.0	3.5	11	12	M3	M4	1.0	3.0	£131.18
OKB3/20-46	2.0	46	25.0	3-12.7		10	27.0	9.0	3.5	11	12	M3	M4	1.0	3.0	£131.18
OKB3/20-50	2.0	50	25.0	3-12.7		10	27.0	9.0	3.5	11	12	M3	M4	1.0	3.0	£163.98
OKB3/45-52	4.5	52	32.5	6-16		14	34.0	12.0	5.0	14	16	M4	M5	3.0	5.9	£164.11
OKB3/45-60	4.5	60	32.5	6-16		14	34.0	12.0	5.0	14	16	M4	M5	3.0	5.9	£184.64
OKB3/100-61	10.0	61	40.5	6-22		16	41.5	15.5	5.0	14	20	M4	M6	3.0	10.0	£212.35
OKB3/100-71	10.0	71	40.5	6-22		16	41.5	15.5	5.0	14	20	M4	M6	3.0	10.0	£212.35

Part Number	Mass g	Moment of Inertia J g cm ²	Spring Stiffness			Misalignment		
			Torsional C _T Nm/rad	Radial C _R N/mm	Axial C _A N/mm	Radial ΔK _r mm	Axial ΔK _a mm	Angular ΔK _w °
OKB3/5-28	12.8	2.9	260	43	13	0.10	0.2	1.0
OKB3/5-32	13.2	3.1	200	18	10	0.15	0.3	1.5
OKB3/5-35	13.5	3.2	160	9	8	0.20	0.4	2.0
OKB3/10-30	14.1	3.3	510	74	27	0.10	0.2	1.0
OKB3/10-34	14.6	3.4	380	31	20	0.15	0.3	1.5
OKB3/10-38	15.3	3.6	310	16	16	0.20	0.4	2.0
OKB3/15-37	27.2	11.0	750	59	15	0.10	0.3	1.5
OKB3/15-41	29.3	12.0	700	20	9	0.15	0.4	2.0
OKB3/20-40	40.1	25.0	1500	67	12	0.15	0.3	1.5
OKB3/20-46	43.2	29.0	1300	21	11	0.20	0.4	1.5
OKB3/20-50	49.1	30.0	1050	11	9	0.25	0.5	2.0
OKB3/45-52	86.5	98.0	6500	168	32	0.10	0.3	1.5
OKB3/45-60	92.9	110.0	4200	41	20	0.20	0.5	2.0
OKB3/100-61	135.0	235.0	8100	120	27	0.15	0.4	1.5
OKB3/100-71	154.0	292.0	6800	29	17	0.30	0.6	2.0

Material

Bellows: Stainless Steel

Hub: Aluminium (Stainless Steel available on request)

Features

- Bore tolerance H7
- Keyway acc. DIN 6885 optional
- Temperature range -30°C to +120°C

+44 (0)1246 455500

+44 (0)1246 455522

ondrives

sales@ondrives.com

www.ondrives.com

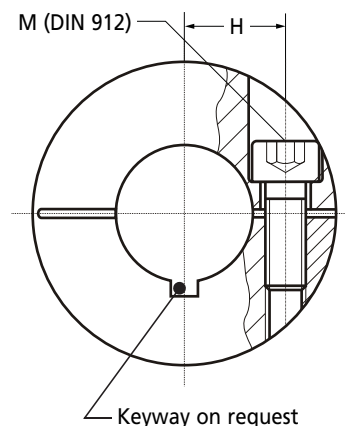
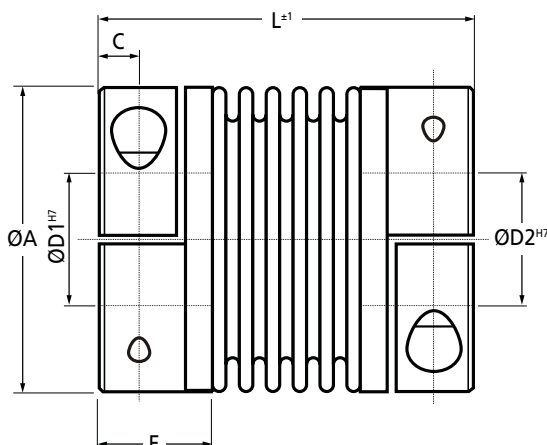
Product information updated 1st April 2011 and subject to change. Please contact Sales for the latest prices and availability.

COUPLINGS

OKB4

Metal Bellows Couplings

Clamp Fixing : 18 - 500Nm, 10 - 65mm Bores



Discounts: 5+ -4% 10+ -8% 25+ -12% 50+ -18% 100+ -22%

Part Number	Torque T _{KN} Nm	L±2	ØA	ØD1/ØD2 (H7) min-max	H	C	E	M Thread	Tightening Torque T _A Nm	Price Each 1 - 4
OKB4/18-63	18	63	45	10-25.4	17	5.5	19.5	M5	8	£189.15
OKB4/18-71	18	71	45	10-25.4	17	5.5	19.5	M5	8	£189.15
OKB4/30-65	30	65	56	10-30	20	7.5	24.5	M6	15	£235.89
OKB4/30-73	30	73	56	10-30	20	7.5	24.5	M6	15	£235.89
OKB4/60-79	60	79	66	12-32	23	10.0	29.0	M8	40	£269.62
OKB4/60-89	60	89	66	12-32	23	10.0	29.0	M8	40	£269.62
OKB4/80-91	80	91	82	14-42	28	11.0	33.5	M10	72	£302.25
OKB4/80-102	80	102	82	14-42	28	11.0	33.5	M10	72	£302.25
OKB4/150-91	150	91	82	19-42	28	11.0	33.5	M10	84	£353.33
OKB4/150-102	150	102	82	19-42	28	11.0	33.5	M10	84	£353.33
OKB4/200-101	200	101	90	22-45	31	13.0	38.0	M12	125	£299.50
OKB4/200-113	200	113	90	22-45	31	13.0	38.0	M12	125	£299.50
OKB4/300-105	300	105	110	30-60	40	13.0	38.0	M12	145	£438.15
OKB4/300-116	300	116	110	30-60	40	13.0	38.0	M12	145	£438.15
OKB4/500-112	500	112	122	35-65	42	15.0	42.0	M12	145	£541.44
OKB4/500-123	500	123	122	35-65	42	15.0	42.0	M12	145	£541.44

Part Number	Mass kg	Moment of Inertia J kg m ²	Spring Stiffness			Misalignment			Max Speed rpm
			Torsional C _T Nm/rad	Radial C _R N/mm	Axial C _A N/mm	Radial ΔKr mm	Axial ΔKa mm	Angular ΔKw °	
OKB4/18-63	0.10	0.04x10 ⁻³	20x10 ³	205	50	0.20	0.5	1.5	12800
OKB4/18-71	0.15	0.05x10 ⁻³	15x10 ³	82	36	0.25	0.5	2.0	12800
OKB4/30-65	0.30	0.15x10 ⁻³	38x10 ³	720	50	0.15	0.6	1.5	10300
OKB4/30-73	0.32	0.16x10 ⁻³	28x10 ³	225	28	0.25	1.0	2.0	10300
OKB4/60-79	0.50	0.33x10 ⁻³	75x10 ³	1150	90	0.15	0.6	1.5	8700
OKB4/60-89	0.60	0.36x10 ⁻³	50x10 ³	340	50	0.25	1.0	2.0	8700
OKB4/80-91	2.30	2x10 ⁻³	128x10 ³	1200	80	0.20	0.5	1.5	6900
OKB4/80-102	2.40	2.1x10 ⁻³	75x10 ³	400	50	0.25	0.8	2.0	6900
OKB4/150-91	2.30	2x10 ⁻³	155x10 ³	2020	145	0.20	0.5	1.5	6900
OKB4/150-102	2.40	2.1x10 ⁻³	105x10 ³	595	85	0.25	0.5	2.0	6900
OKB4/200-101	2.60	3.3x10 ⁻³	175x10 ³	2500	145	0.20	0.5	1.5	6400
OKB4/200-113	2.70	3.5x10 ⁻³	120x10 ³	460	82	0.25	0.8	2.0	6400
OKB4/300-105	3.60	7.3x10 ⁻³	502x10 ³	6300	280	0.20	0.5	1.5	6000
OKB4/300-116	3.70	7.5x10 ⁻³	285x10 ³	1400	145	0.25	0.8	2.0	6000
OKB4/500-112	5.10	12.4x10 ⁻³	690x10 ³	7790	100	0.20	0.5	1.5	5000
OKB4/500-123	5.20	12.7x10 ⁻³	320x10 ³	970	85	0.25	1.0	2.0	5000

Material

Bellows: Stainless Steel

Hub: OKB4/18 to OKB4/60 = Aluminium (Stainless Steel available on request)
OKB4/80 to OKB4/500 = Steel (Stainless Steel available on request)

Features

- Bore tolerance H7
- Keyway acc. DIN 6885 optional
- Temperature range -30°C to +120°C

+44 (0)1246 455500
+44 (0)1246 455522

ondrives

sales@ondrives.com
www.ondrives.com

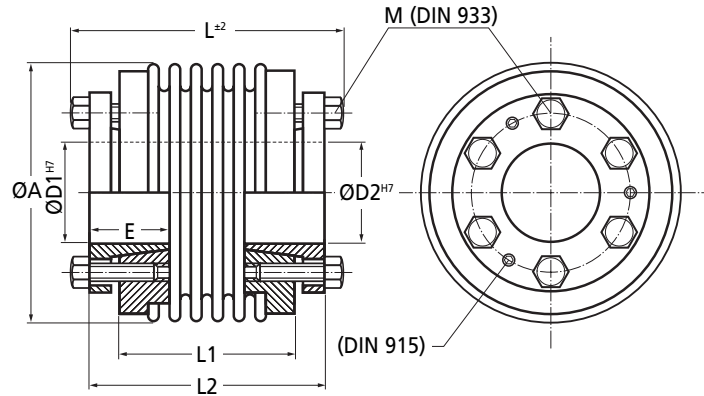
Product information updated 1st April 2011 and subject to change. Please contact Sales for the latest prices and availability.

OKB5

COUPLINGS

Metal Bellows Couplings

with Inner Conical Hub : 18 - 5000Nm, 10 - 90mm Bores

**Discounts:** 5+ -4% 10+ -8% 25+ -12% 50+ -18% 100+ -22%

Part Number	Torque T _{KN} Nm	L±2	ØA	ØD1/ØD2 (H7) min-max	E	L1	L2	M Thread	Tightening Torque T _A Nm	Price Each 1 - 4
OKB5/18-63	18	63	47	10-18	20	38	56	4xM5	4.5	£212.35
OKB5/18-71	18	71	47	10-18	20	46	64	4xM5	4.5	£212.35
OKB5/30-53	30	53	56	12-20	20	30	46	6xM5	4.5	£219.58
OKB5/30-61	30	61	56	12-20	20	38	54	6xM5	4.5	£219.58
OKB5/60-62	60	62	66	15-25	25	36	54	6xM6	8.5	£239.15
OKB5/60-73	60	73	66	15-25	25	47	65	6xM6	8.5	£239.15
OKB5/80-78	80	78	82	20-35	30	50	70	6xM6	10.0	£263.11
OKB5/80-90	80	90	82	20-35	30	62	82	6xM6	10.0	£263.11
OKB5/150-78	150	78	82	20-35	30	50	70	6xM6	15.0	£314.17
OKB5/150-90	150	90	82	20-35	30	62	82	6xM6	15.0	£314.17
OKB5/200-78	200	78	90	20-40	30	50	70	6xM6	15.0	£366.37
OKB5/200-91	200	91	90	20-40	30	63	83	6xM6	15.0	£366.37
OKB5/300-90	300	90	110	25-50	37	56	80	6xM8	17.0	£418.57
OKB5/300-102	300	102	110	25-50	37	67	91	6xM8	17.0	£418.57
OKB5/500-101	500	101	122	35-55	40	66	90	6xM8	25.0	£530.58
OKB5/500-112	500	112	122	35-55	40	77	101	6xM8	25.0	£530.58
OKB5/800-170	800	170	157	50-70	60	110	150	6xM16	45.0	£850.25
OKB5/1400-170	1400	170	157	50-70	60	110	150	6xM16	80.0	£1122.06
OKB5/3000-170	3000	170	157	55-75	60	110	150	6xM16	115.0	£1628.80
OKB5/5000-206	5000	206	208	60-90	65	146	186	6xM16	210.0	£1703.84

Part Number	Mass kg	Moment of Inertia J kg m ²	Spring Stiffness			Misalignment		
			Torsional C _T Nm/rad	Radial C _R N/mm	Axial C _A N/mm	Radial ΔK _r mm	Axial ΔK _a mm	Angular ΔK _w °
OKB5/18-63	0.36	0.075x10 ⁻³	20x10 ³	205	50	0.20	1.0	1.50
OKB5/18-71	0.37	0.078x10 ⁻³	15x10 ³	82	36	0.25	1.0	2.00
OKB5/30-53	0.40	0.11x10 ⁻³	38x10 ³	720	50	0.15	1.0	1.50
OKB5/30-61	0.42	0.12x10 ⁻³	28x10 ³	225	25	0.25	1.0	2.00
OKB5/60-62	0.77	0.32x10 ⁻³	75x10 ³	1150	90	0.15	1.0	1.50
OKB5/60-73	0.79	0.34x10 ⁻³	50x10 ³	340	50	0.25	1.0	2.00
OKB5/80-78	1.34	1.05x10 ⁻³	128x10 ³	1200	80	0.20	1.0	1.50
OKB5/80-90	1.39	1.11x10 ⁻³	75x10 ³	400	50	0.25	1.0	2.00
OKB5/150-78	1.36	1.15x10 ⁻³	155x10 ³	2020	145	0.20	1.0	1.50
OKB5/150-90	1.41	1.21x10 ⁻³	105x10 ³	595	85	0.25	1.0	2.00
OKB5/200-78	1.59	1.39x10 ⁻³	175x10 ³	2500	145	0.20	1.0	1.50
OKB5/200-91	1.66	1.49x10 ⁻³	120x10 ³	460	82	0.25	1.0	2.00
OKB5/300-90	3.26	4.66x10 ⁻³	502x10 ³	6300	280	0.20	1.0	1.50
OKB5/300-102	3.32	4.81x10 ⁻³	285x10 ³	1400	145	0.25	1.0	2.00
OKB5/500-101	3.78	6.11x10 ⁻³	690x10 ³	7790	100	0.20	1.0	1.50
OKB5/500-112	3.87	6.38x10 ⁻³	320x10 ³	970	85	0.25	1.0	2.00
OKB5/800-170	9.05	24.05x10 ⁻³	760x10 ³	500	185	0.20	1.0	1.80
OKB5/1400-170	9.15	24.2x10 ⁻³	1270x10 ³	700	275	0.20	1.0	1.80
OKB5/3000-170	9.43	25.7x10 ⁻³	2810x10 ³	2945	305	0.20	1.0	1.50
OKB5/5000-206	19.90	96.7x10 ⁻³	4810x10 ³	4915	505	0.20	1.0	1.50

Material

Bellows: Stainless Steel

Hub: Steel (Stainless Steel available on request)

Features

- Temperature range -30°C to +120°C

+44 (0)1246 455500

+44 (0)1246 455522

ondrives

sales@ondrives.com

www.ondrives.com

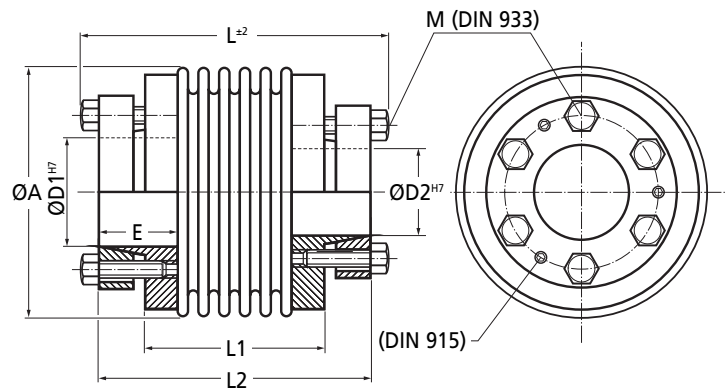
Product information updated 1st April 2011 and subject to change. Please contact Sales for the latest prices and availability.

COUPLINGS

OKB6

Metal Bellows Couplings

with Outer Conical Hub : 18 - 5000Nm, 8 - 90mm Bores



Discounts: 5+ -4% 10+ -8% 25+ -12% 50+ -18% 100+ -22%

Part Number	Torque T_{KN} Nm	$L_{\pm 2}$	ØA	ØD1/ØD2 (H7) min-max	E	L1	L2	M Thread	Tightening Torque T_A Nm	Price Each 1 - 4
OKB6/18-65	18	65	47	8-15	16.5	37	58	4xM5	5.9	£189.15
OKB6/18-73	18	73	47	8-15	16.5	45	66	4xM5	5.9	£189.15
OKB6/30-60	30	60	56	12-20	18.0	31	53	6xM5	5.9	£235.89
OKB6/30-68	30	68	56	12-20	18.0	39	61	6xM5	5.9	£235.89
OKB6/60-78	60	78	66	15-32	25.0	36	71	6xM5	8.7	£269.62
OKB6/60-89	60	89	66	15-32	25.0	47	82	6xM5	8.7	£269.62
OKB6/80-95	80	95	82	20-35	31.0	50	87	6xM6	15.0	£883.95
OKB6/80-107	80	107	82	20-35	31.0	62	99	6xM6	15.0	£883.95
OKB6/150-95	150	95	82	20-35	31.0	50	87	6xM6	15.0	£353.33
OKB6/150-107	150	107	82	20-35	31.0	62	99	6xM6	15.0	£353.33
OKB6/200-95	200	95	90	20-42	31.0	50	87	6xM6	15.0	£417.48
OKB6/200-108	200	108	90	20-42	31.0	63	100	6xM6	15.0	£417.48
OKB6/300-108	300	108	110	25-50	34.0	57	98	6xM8	25.0	£438.15
OKB6/300-120	300	120	110	25-50	34.0	68	109	6xM8	25.0	£438.15
OKB6/500-122	500	122	122	35-55	41.0	59	112	6xM8	36.0	£541.44
OKB6/500-134	500	134	122	35-55	41.0	70	123	6xM8	36.0	£541.44
OKB6/800-184	800	184	157	50-70	50.0	108	169	6xM12	85.0	£P.O.A
OKB6/1400-184	1400	184	157	50-70	50.0	108	169	6xM12	115.0	£P.O.A
OKB6/3000-220	3000	220	157	55-75	60.0	146	204	6xM12	125.0	£P.O.A
OKB6/5000-245	5000	245	208	60-90	55.0	146	225	6xM16	210.0	£P.O.A

Part Number	Mass kg	Moment of Inertia J kg m ²	Spring Stiffness			Misalignment		
			Torsional C_T Nm/rad	Radial C_R N/mm	Axial C_A N/mm	Radial ΔK_r mm	Axial ΔK_a mm	Angular ΔK_w °
OKB6/18-65	0.30	0.081×10^{-3}	20×10^3	205	50	0.20	0.5	1.50
OKB6/18-73	0.31	0.084×10^{-3}	15×10^3	82	36	0.25	0.5	2.00
OKB6/30-60	0.37	0.13×10^{-3}	38×10^3	720	50	0.15	0.6	1.50
OKB6/30-68	0.39	0.14×10^{-3}	28×10^3	225	25	0.25	1.0	2.00
OKB6/60-78	0.76	0.46×10^{-3}	75×10^3	1150	90	0.15	0.6	1.50
OKB6/60-89	0.79	0.49×10^{-3}	50×10^3	340	50	0.25	1.0	2.00
OKB6/80-95	1.57	1.37×10^{-3}	128×10^3	1200	80	0.20	0.5	1.50
OKB6/80-107	1.62	1.43×10^{-3}	75×10^3	400	50	0.25	1.0	2.00
OKB6/150-95	1.59	1.39×10^{-3}	155×10^3	2020	145	0.20	0.5	1.50
OKB6/150-107	1.64	1.45×10^{-3}	105×10^3	595	85	0.25	1.0	2.00
OKB6/200-95	1.60	1.64×10^{-3}	175×10^3	2500	145	0.20	0.5	1.50
OKB6/200-108	1.67	1.74×10^{-3}	120×10^3	460	82	0.25	1.0	2.00
OKB6/300-108	2.83	4.52×10^{-3}	502×10^3	6300	280	0.20	0.5	1.50
OKB6/300-120	2.89	4.68×10^{-3}	285×10^3	1400	145	0.25	1.0	2.00
OKB6/500-122	3.89	7.04×10^{-3}	690×10^3	7790	100	0.20	0.5	1.50
OKB6/500-134	3.98	7.31×10^{-3}	320×10^3	970	85	0.25	1.0	2.00
OKB6/800-184	8.87	24.9×10^{-3}	760×10^3	500	185	0.20	0.8	1.80
OKB6/1400-184	8.92	25.2×10^{-3}	1270×10^3	700	275	0.20	0.8	1.80
OKB6/3000-220	10.90	30.9×10^{-3}	2810×10^3	2945	305	0.20	0.8	1.50
OKB6/5000-245	27.70	144.4×10^{-3}	4810×10^3	4915	505	0.20	0.8	1.50

Material

Bellows: Stainless Steel

Hub: Steel (Stainless Steel available on request)

Features

- Temperature range -30°C to +120°C

+44 (0)1246 455500
+44 (0)1246 455522

ondrives

sales@ondrives.com
www.ondrives.com

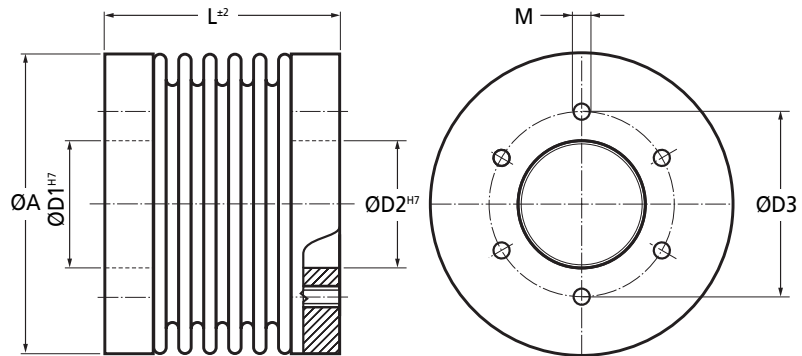
Product information updated 1st April 2011 and subject to change. Please contact Sales for the latest prices and availability.

OKB7

COUPLINGS

Metal Bellows Couplings

for Flange Mounting : 18 - 5000Nm, 22 - 100mm Bores


Discounts: 5+ -4% 10+ -8% 25+ -12% 50+ -18% 100+ -22%

Part Number	Torque T _{KN} Nm	L±2	ØA	ØD1/ØD2 (H7)	ØD3	M Thread	Price Each 1 - 4
OKB7/18-36	18	36	47	22	31	M5	£161.97
OKB7/18-44	18	44	47	22	31	M5	£161.97
OKB7/30-30	30	30	56	28	37	M5	£181.55
OKB7/30-38	30	38	56	28	37	M5	£181.55
OKB7/60-41	60	41	66	38	46	M6	£202.20
OKB7/60-51	60	51	66	38	46	M6	£202.20
OKB7/80-50	80	50	82	50	62	M6	£232.65
OKB7/80-62	80	62	82	50	62	M6	£232.65
OKB7/150-50	150	50	82	50	62	M6	£253.31
OKB7/150-62	150	62	82	50	62	M6	£253.31
OKB7/200-50	200	50	90	50	62	M6	£306.57
OKB7/200-63	200	63	90	50	62	M6	£306.57
OKB7/300-55	300	55	110	65	80	M8	£325.09
OKB7/300-66	300	66	110	65	80	M8	£325.09
OKB7/500-61	500	61	122	70	94	M8	£441.38
OKB7/500-72	500	72	122	70	94	M8	£441.38
OKB7/800-131	800	131	157	85	110	M16	£694.75
OKB7/1400-131	1400	131	157	85	110	M16	£965.50
OKB7/3000-131	3000	131	157	85	110	M16	£1533.26
OKB7/5000-146	5000	146	208	100	130	M16	£1685.46

Part Number	Mass kg	Moment of Inertia J kg m ²	Spring Stiffness			Misalignment		
			Torsional C _T Nm/rad	Radial C _R N/mm	Axial C _A N/mm	Radial ΔK _r mm	Axial ΔK _a mm	Angular ΔK _w °
OKB7/18-36	0.128	0.042x10 ⁻³	20x10 ³	205	50	0.20	0.5	1.50
OKB7/18-44	0.137	0.045x10 ⁻³	15x10 ³	82	36	0.25	0.5	2.00
OKB7/30-30	0.174	0.083x10 ⁻³	38x10 ³	720	50	0.15	0.6	1.50
OKB7/30-38	0.192	0.093x10 ⁻³	28x10 ³	225	25	0.25	1.0	2.00
OKB7/60-41	0.270	0.193x10 ⁻³	75x10 ³	1150	90	0.15	0.6	1.50
OKB7/60-51	0.290	0.217x10 ⁻³	50x10 ³	340	50	0.25	1.0	2.00
OKB7/80-50	0.650	0.742x10 ⁻³	128x10 ³	1200	80	0.20	0.5	1.50
OKB7/80-62	0.690	0.805x10 ⁻³	75x10 ³	400	50	0.25	1.0	2.00
OKB7/150-50	0.660	0.75x10 ⁻³	155x10 ³	2020	145	0.20	0.5	1.50
OKB7/150-62	0.710	0.81x10 ⁻³	105x10 ³	595	85	0.25	1.0	2.00
OKB7/200-50	0.720	0.894x10 ⁻³	175x10 ³	2500	145	0.20	0.5	1.50
OKB7/200-63	0.780	0.989x10 ⁻³	120x10 ³	460	82	0.25	1.0	2.00
OKB7/300-55	1.180	2.431x10 ⁻³	502x10 ³	6300	280	0.20	0.5	1.50
OKB7/300-66	1.240	2.588x10 ⁻³	285x10 ³	1400	145	0.25	1.0	2.00
OKB7/500-61	1.940	4.808x10 ⁻³	690x10 ³	7790	100	0.20	0.5	1.50
OKB7/500-72	2.030	5.078x10 ⁻³	320x10 ³	970	85	0.25	1.0	2.00
OKB7/800-131	3.280	11.207x10 ⁻³	760x10 ³	500	185	0.20	0.8	1.75
OKB7/1400-131	3.330	11.421x10 ⁻³	1270x10 ³	700	275	0.20	0.8	1.75
OKB7/3000-131	3.370	11.651x10 ⁻³	2810x10 ³	2945	305	0.20	0.8	1.50
OKB7/5000-146	11.460	65.517x10 ⁻³	4810x10 ³	4915	505	0.20	0.8	1.50

Material

Bellows: Stainless Steel

Hub: Steel (Stainless Steel available on request)

Features

- Temperature range -30°C to +120°C

+44 (0)1246 455500

+44 (0)1246 455522

ondrives

sales@ondrives.com

www.ondrives.com

Product information updated 1st April 2011 and subject to change. Please contact Sales for the latest prices and availability.