

BEARINGS

**BISF
BTEU**

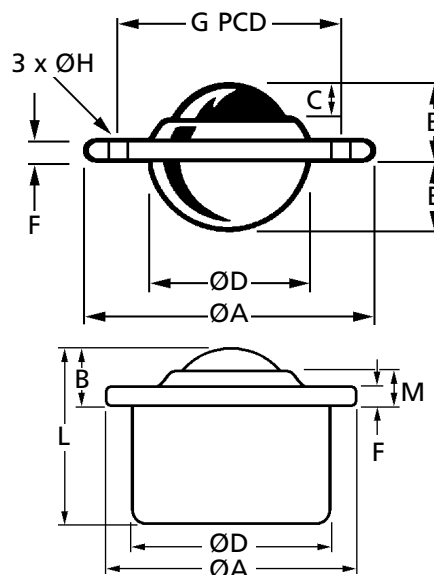
Transfer Ball Units

10 - 340kg Load Capacity



BISF Type Flange Fixing Unit

BTEU Type Euro Units



Discounts: 6+ -5% 20+ -10% 40+ -15% 60+ -20% 100+ -25% 200+ -30%

Part Number	Fixing Holes	Ball Size (mm)	Weight (g)	ØA max.	B	C	ØD	E	F	G PCD ±0.2	ØH	L	M	Seating Hole Ø0	Max. Loading (kg)		Price Each 1 - 5
															Load	Load	
FLANGE FIXING UNIT - STEEL																	
BISF-19C	3	19	87	61.0	10.0	3.2	29.1±0.2	12.0	3.2	44.5	5.1	-	-	29.5	25	10	£3.65
BISF-25C	3	25	175	73.0	14.2	6.3	37.2±0.2	15.8	3.5	55.6	5.1	-	-	38.1	55	25	£4.14
BISF-32C	3	32	265	73.7	16.2	8.0	45.5±0.2	19.9	4.2	58.7	5.1	-	-	46.0	125	55	£6.97
BISF-40C	3	40	515	89.0	21.4	8.7	55.6±0.2	24.6	6.0	70.0	7.0	-	-	56.0	140	60	£17.94
BISF-50C	3	50	1065	120.7	28.3	14.3	75.3±0.2	30.2	6.3	92.0	8.0	-	-	76.0	340	100	£40.66
FLANGE FIXING UNIT - STAINLESS STEEL																	
BISF-19SS	3	19	87	61.0	10.0	3.2	29.1±0.2	12.0	3.2	44.5	5.1	-	-	29.5	25	10	£14.53
BISF-25SS	3	25	175	73.0	14.2	6.3	37.2±0.2	15.8	3.5	55.6	5.1	-	-	38.1	55	25	£13.17
BISF-32SS	3	32	265	73.7	16.2	8.0	45.5±0.2	19.9	4.2	58.7	5.1	-	-	46.0	125	55	£19.72
BISF-40SS	3	40	515	89.0	21.4	8.7	55.6±0.2	24.6	6.0	70.0	7.0	-	-	56.0	140	60	£43.38
BISF-50SS	3	50	1065	120.7	28.3	14.3	75.3±0.2	30.2	6.3	92.0	8.0	-	-	76.0	250	100	£112.48
EURO UNIT - STEEL																	
BTEU-15C	-	15	43	31	9.5±0.2	-	24±0.065	-	2.8	-	-	21.0	6.3	-	60	60	£5.01
BTEU-22C	-	22	132	45	9.8±0.2	-	36±0.08	-	2.8	-	-	30.0	5.5	-	160	160	£7.21
BTEU-30C	-	30	278	55	13.8±0.3	-	45±0.08	-	4.0	-	-	37.0	8.3	-	300	300	£13.12
BTEU-45C	-	45	725	75	19.0±0.4	-	62±0.095	-	4.0	-	-	53.5	10.0	-	610	610	£35.05
EURO UNIT - STAINLESS STEEL																	
BTEU-15SS	-	15	43	31	9.5±0.2	-	24±0.065	-	2.8	-	-	21.0	6.3	-	38	38	£13.12
BTEU-22SS	-	22	132	45	9.8±0.2	-	36±0.08	-	2.8	-	-	30.0	5.5	-	100	100	£16.22
BTEU-30SS	-	30	278	55	13.8±0.3	-	45±0.08	-	4.0	-	-	37.0	8.3	-	200	200	£32.46

Part Number	Hole Size for Units (when used with clips)	Price Each 1 - 5
INSERT CLIPS		
BTEU-15-CLIP	24mm (+1/1.5)	£1.03
BTEU-22-CLIP	36mm (+1/1.5)	£0.93
BTEU-30-CLIP	45mm (+1/1.5)	£1.03
BTEU-45-CLIP	62mm (+1/1.5)	£1.32

Insert Clips (for BTEU & BTHD Types)

Features: press in to ball unit, prise out ball unit to remove. **Note:** when fitting ball unit with fixing clips, do not strike the load ball to press the unit into position. Instead, apply an even force onto the body of the unit using a tube or similar tool.



- Insertion locks unit
- Push in-prise out



Claws lock unit into hole.



Material

BISF-C & BTEU-C:

Case: Zinc plated Mild Steel. **Ball:** Carbon Steel 60-66 HRC.

BISF-SS & BTEU-SS:

Case: Stainless Steel 304. **Ball:** Stainless Steel 420C 55-58 HRC.

+44 (0)1246 455500

+44 (0)1246 455522

ondrives

sales@ondrives.com

www.ondrives.com

Product information updated 1st April 2011 and subject to change. Please contact Sales for the latest prices and availability.