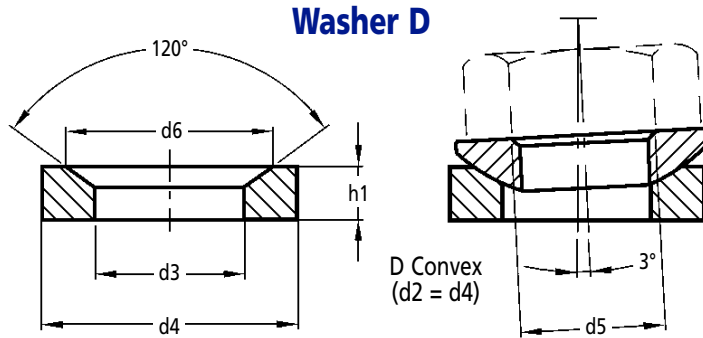
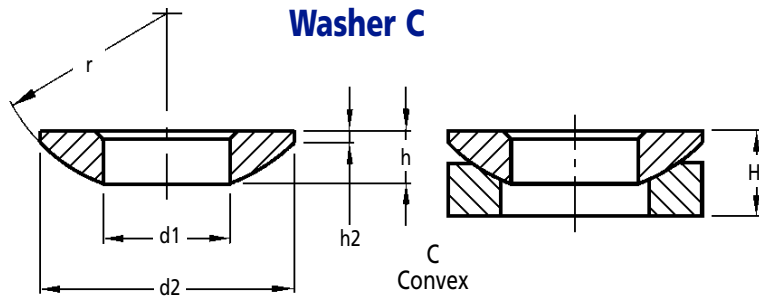


GN.30

BEARINGS

Concave and Convex Washers - DIN 6319

AISI 303 Stainless Steel : Suits M6 - M48

**Discounts:** 20+ -5% 40+ -10% 60+ -15% 100+ -20%

| Part Number | d1 H12 | d2 | d3 H12 | d4 | d5 | d6 | h | h1 | h2 | H | r | Weight g | Price Each 1 - 19 |
|-----------------|-----------|----|-----------|----|-----|------|------|------|-----|------|----|-------------|-------------------------|
| WASHER C | | | | | | | | | | | | | |
| GN.30832 | 6.4 | 12 | - | - | M6 | - | 2.3 | - | 0.7 | 4.2 | 9 | 1 | £3.18 |
| GN.30836 | 8.4 | 17 | - | - | M8 | - | 3.2 | - | 0.6 | 5.6 | 12 | 3 | £3.21 |
| GN.30842 | 10.5 | 21 | - | - | M10 | - | 4.0 | - | 0.8 | 6.5 | 15 | 5 | £4.29 |
| GN.30846 | 13.0 | 24 | - | - | M12 | - | 4.6 | - | 1.1 | 8.0 | 17 | 8 | £4.80 |
| GN.30856 | 17.0 | 30 | - | - | M16 | - | 5.3 | - | 1.3 | 9.6 | 22 | 13 | £7.59 |
| GN.30862 | 21.0 | 36 | - | - | M20 | - | 6.3 | - | 2.0 | 11.7 | 27 | 22 | £10.46 |
| GN.30866 | 25.0 | 44 | - | - | M24 | - | 8.2 | - | 2.4 | 15.2 | 32 | 43 | £16.67 |
| GN.30872 | 31.0 | 56 | - | - | M30 | - | 11.2 | - | 3.6 | 19.2 | 41 | 110 | £27.10 |
| GN.30876 | 37.0 | 68 | - | - | M36 | - | 14.0 | - | 4.6 | 23.5 | 50 | 190 | £41.39 |
| GN.30882 | 43.0 | 78 | - | - | M42 | - | 17.0 | - | 6.5 | 29.0 | 58 | 305 | £79.82 |
| GN.30886 | 50.0 | 92 | - | - | M48 | - | 21.0 | - | 8.0 | 35.5 | 67 | 540 | £115.86 |
| WASHER D | | | | | | | | | | | | | |
| GN.30902 | - | - | 7.1 | 12 | M6 | 11.0 | - | 2.8 | - | 4.2 | 9 | 2 | £3.24 |
| GN.30906 | - | - | 9.6 | 17 | M8 | 14.5 | - | 3.5 | - | 5.6 | 12 | 4 | £3.24 |
| GN.30912 | - | - | 12.0 | 21 | M10 | 18.5 | - | 4.2 | - | 6.5 | 15 | 7 | £4.31 |
| GN.30916 | - | - | 14.2 | 24 | M12 | 20.0 | - | 5.0 | - | 8.0 | 17 | 10 | £6.35 |
| GN.30926 | - | - | 19.0 | 30 | M16 | 26.0 | - | 6.2 | - | 9.6 | 22 | 18 | £7.95 |
| GN.30932 | - | - | 23.2 | 36 | M20 | 31.0 | - | 7.5 | - | 11.7 | 27 | 31 | £15.99 |
| GN.30936 | - | - | 28.0 | 44 | M24 | 37.0 | - | 9.5 | - | 15.2 | 32 | 61 | £17.41 |
| GN.30942 | - | - | 35.0 | 56 | M30 | 49.0 | - | 12.0 | - | 19.2 | 41 | 130 | £28.45 |
| GN.30946 | - | - | 42.0 | 68 | M36 | 60.0 | - | 15.0 | - | 23.5 | 50 | 230 | £42.68 |
| GN.30952 | - | - | 49.0 | 78 | M42 | 70.0 | - | 18.0 | - | 29.0 | 58 | 360 | £81.41 |
| GN.30956 | - | - | 56.0 | 92 | M48 | 82.0 | - | 22.0 | - | 35.5 | 67 | 640 | £117.43 |

Material

AISI 303 stainless steel

Other Info.

DIN 6319-NI washers are used for clamping mechanical parts with non-parallel surfaces.

The high corrosion resistance of AISI 303 stainless steel, makes these elements particularly suitable for application on machines and equipment of food processing, chemical and pharmaceutical industry.

+44 (0)1246 455500

+44 (0)1246 455522

ondrives

sales@ondrives.com

www.ondrives.com

Product information updated 1st April 2011 and subject to change. Please contact Sales for the latest prices and availability.