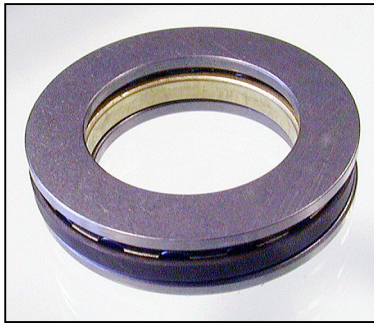


AZ

BEARINGS

Needle Thrust Bearing Sets

Shaft Diameter 10 - 70mm (JIS B 1514-1986)



Part Number	d Shaft Dia. mm	Weight (Ref.) g	Boundary Dimensions (mm)					
			D	T	dw	Dg	Dw	h
AZ10249	10	24.6	24	9	10.04	23.6	3.5	2.75
AZ12269	12	26.5	26	9	12.04	25.6	3.5	2.75
AZ15289	15	28.0	28	9	15.04	27.6	3.5	2.75
AZ17309	17	30.5	30	9	17.04	29.6	3.5	2.75
AZ203510	20	45.5	35	10	20.04	34.6	4.5	2.75
AZ254211	25	70.0	42	11	25.05	41.6	5.0	3.00
AZ304711	30	79.0	47	11	30.05	46.5	5.0	3.00
AZ305216	30	160.0	52	16	30.05	51.5	7.5	4.25
AZ355212	35	99.0	52	12	35.05	51.5	5.0	3.50
AZ356218	35	260.0	62	18	35.05	61.5	7.5	5.25
AZ406013	40	139.0	60	13	40.05	59.5	6.0	3.50
AZ406819	40	310.0	68	19	40.05	67.5	9.0	5.00
AZ456514	45	169.0	65	14	45.05	64.5	6.0	4.00
AZ457320	45	360.0	73	20	45.05	72.5	9.0	5.50
AZ507014	50	185.0	70	14	50.05	69.5	6.0	4.00
AZ507822	50	430.0	78	22	50.05	77.5	11.0	5.50
AZ557816	55	275.0	78	16	55.05	77.5	6.0	5.00
AZ559025	55	725.0	90	25	55.05	89.5	11.0	7.00
AZ608517	60	345.0	85	17	60.05	84.5	7.5	4.75
AZ609526	60	770.0	95	26	60.05	94.5	11.0	7.50
AZ6013026	60	2090.0	130	26	60.05	129.5	10.0	8.00
AZ659018	65	380.0	90	18	65.05	89.5	7.5	5.25
AZ6510027	65	860.0	100	27	65.05	99.5	11.0	8.00
AZ709518	70	420.0	95	18	70.05	94.5	7.5	5.25
AZ7010527	70	905.0	105	27	70.05	104.5	11.0	8.00
AZ7014026	70	2250.0	140	26	70.05	139.5	10.0	8.00

Material

Carbon Steel

Other Info.

Recommended Fit: Shaft h6(h8). Housing Bore H7 (H9).

Notes

- (1) Minimum allowable value of chamfer dimension r
 (2) Allowable rotational speed applies to oil lubrication.
 For grease lubrication, a maximum of 25% of this value is allowable.

+44 (0)1246 455500
 +44 (0)1246 455522

ondrives

sales@ondrives.com
 www.ondrives.com

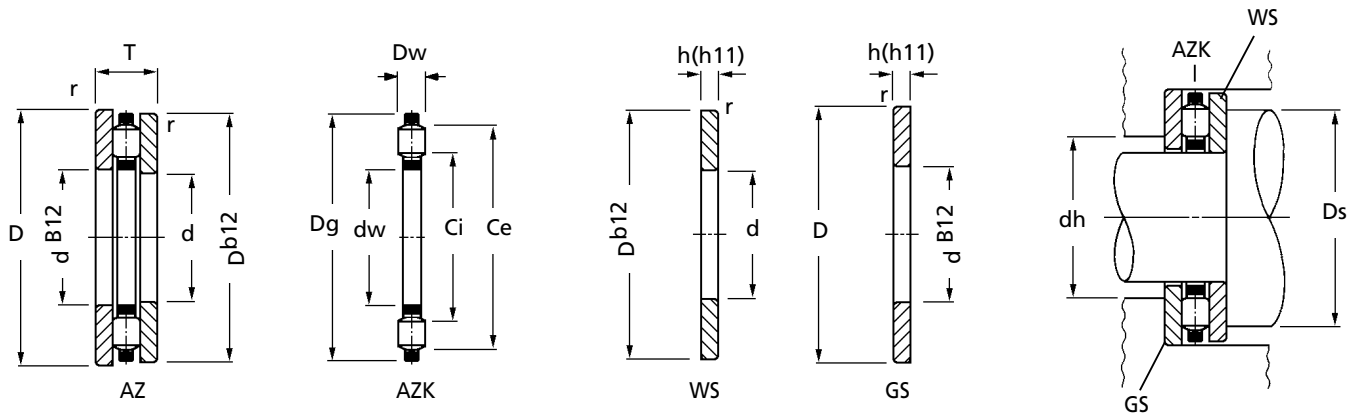
Product information updated 1st April 2011 and subject to change. Please contact Sales for the latest prices and availability.

BEARINGS

AZ

Needle Thrust Bearing Sets

Shaft Diameter 10 - 70mm (JIS B 1514-1986)



Part Number	Boundary Dimensions (mm)			Std. Mounting Dimensions (mm)		Basic Dynamic Load Rating C kgf	Basic Static Load Rating Co kgf	Allowable rotational speed rpm (2)	Price Per Set
	r	Ci	Ce	Ds Min.	dh Max.				
AZ10249	0.3	13	21	21	13	930	1950	18000	£19.89
AZ12269	0.3	15	23	23	16	1060	2430	16000	£19.89
AZ15289	0.3	17	25	25	18	1040	2430	14000	£21.67
AZ17309	0.3	19	27	27	20	1160	2920	13000	£23.23
AZ203510	0.3	22	33	33	23	1930	4970	11000	£24.43
AZ254211	0.6	28	39	39	28	2320	6190	9000	£26.79
AZ304711	0.6	33	44	44	33	2790	8260	8000	£28.39
AZ305216	0.6	35	49	48	36	3910	9760	7500	£39.74
AZ355212	0.6	38	49	49	39	2970	9290	7000	£31.09
AZ356218	1.0	42	58	57	43	4880	13700	6500	£44.98
AZ406013	0.6	44	57	57	44	4250	13600	6000	£33.69
AZ406819	1.0	45	64	64	46	7010	19900	5500	£48.45
AZ456514	0.6	49	62	62	49	4160	13600	5500	£38.03
AZ457320	1.0	50	69	69	51	7720	23200	5000	£53.70
AZ507014	0.6	54	67	67	54	4410	15100	5000	£42.51
AZ507822	1.0	55	74	73	56	8600	23700	4500	£60.97
AZ557816	0.6	59	75	75	60	5270	19500	4500	£53.92
AZ559025	1.0	63	85	84	63	11000	33900	4000	£78.86
AZ608517	1.0	65	81	81	66	6580	22900	4000	£60.63
AZ609526	1.0	68	90	89	68	10800	33900	4000	£87.78
AZ6013026	1.5	79	119	119	80	16100	64600	3000	£246.47
AZ659018	1.0	70	86	86	71	6960	25200	4000	£66.91
AZ6510027	1.0	73	95	94	73	11800	38700	3500	£97.50
AZ709518	1.0	75	91	91	76	7340	27500	3500	£73.69
AZ7010527	1.0	78	100	99	78	11600	38700	3500	£114.73
AZ7014026	1.1	89	129	129	90	17200	72700	3000	£267.19

T Tolerance		
AZ10 to AZ17	WS d tol	+ 0.00 - 0.008
	GS D tol	+ 0.00 - 0.013
AZ20 to AZ30	WS d tol	+ 0.00 - 0.01
	GS D tol	+ 0.00 - 0.016
AZ35 to AZ50	WS d tol	+ 0.00 - 0.012
	GS D tol	+ 0.00 - 0.019
AZ55 to AZ70	WS d tol	+ 0.00 - 0.015
	GS D tol	+ 0.00 - 0.025