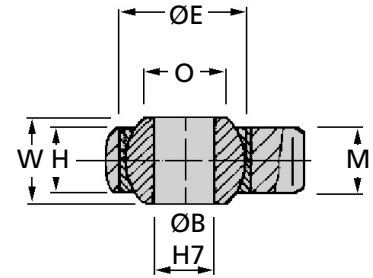
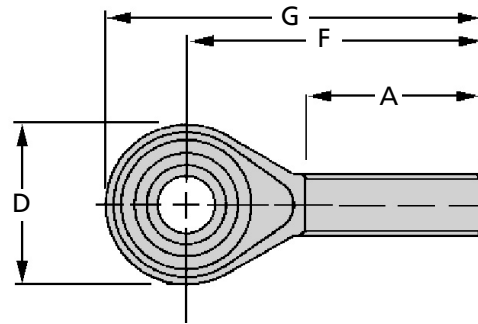
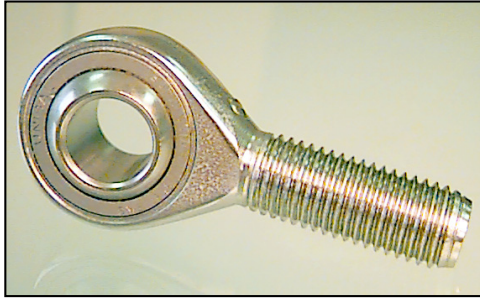


**SME**

# BEARINGS

## Uniflon® Male Rod Ends

Self Lubricating - Tight Fitting (Minimal Clearance on Ball) : 3 - 18mm Bores, M3 - M18x1.5

**Discounts: 10+ -10% 50+ -20%**

Part Number		A	ØB	D	F	G	H	M	O	W
Stainless	Steel									
SME3.45	SME.00.03	15	3	12	27	33	4.50	M3 x 0.50	5.18	6
SME5.45	SME.00.05	20	5	16	33	41	6.00	M5 x 0.80	7.71	8
SME6.45	SME.00.06	22	6	18	36	45	6.75	M6 x 1.00	8.96	9
SME8.45	SME.00.08	25	8	22	42	53	9.00	M8 x 1.25	10.40	12
SME10.45	SME.00.10	29	10	26	48	61	10.50	M10 x 1.50	12.92	14
SME12.45	SME.00.12	33	12	30	54	69	12.00	M12 x 1.75	15.43	16
SME14.45	SME.00.14	36	14	34	60	77	13.50	M14 x 2.00	16.86	19
SME16.45	SME.00.16	40	16	38	66	85	15.00	M16 x 2.00	19.39	21
SME18.45	SME.00.18	44	18	42	72	93	16.50	M18 x 1.50	21.89	23

Part Number	Static Load daN	Ball ØE	Weight g	Price Each 1 - 9
<b>STAINLESS STEEL</b>				
SME3.45	50	7.93	5	£64.97
SME5.45	150	11.11	13	£47.21
SME6.45	210	12.70	19	£50.58
SME8.45	400	15.88	35	£53.95
SME10.45	600	19.05	57	£65.77
SME12.45	770	22.23	87	£110.16
SME14.45	940	25.40	120	£94.48
SME16.45	1140	28.58	170	£131.59
SME18.45	1370	31.75	240	£161.96
<b>STEEL</b>				
SME.00.03	90	7.93	5	£33.87
SME.00.05	260	11.11	12	£24.06
SME.00.06	370	12.70	18	£24.06
SME.00.08	640	15.88	35	£28.53
SME.00.10	970	19.05	57	£32.10
SME.00.12	1280	22.23	87	£36.58
SME.00.14	1580	25.40	120	£53.53
SME.00.16	1920	28.58	170	£57.10
SME.00.18	2280	31.75	240	£78.55

### Material

Stainless Steel: Housing: x10 CrNiS18 9 (AISI 303). Ball: x46 Cr13 (AISI 420). Race: x10 CrNiS18 9 (AISI 303)

Steel: Housing (Sizes 3-12): C 35 Pb Steel, Zinc plated, and passivated. (Sizes 14-18): C 35 Steel, Zinc plated, and passivated.

Ball: Hardened, ground, polished 100 Cr 6 Ball Bearing Steel.

Race (Sizes 3-12): Cu Zn 40 Mn Pb Bronze, Uniflon®E. (Sizes 14-18): Cu Zn 40 Pb 3 Bronze, Uniflon®E.

### Other Info. (Stainless Model Only)

Liner of UNIFLON®E between the ball and the race. Suitable for use in corrosive environments (water, salt, humidity, etc).

Suitable applications: rod ends exposed to atmospheric conditions or oxidising environments without the need for maintenance.

+44 (0)1246 455500

+44 (0)1246 455522

**ondrives**

sales@ondrives.com

www.ondrives.com

Product information updated 1st April 2011 and subject to change. Please contact Sales for the latest prices and availability.