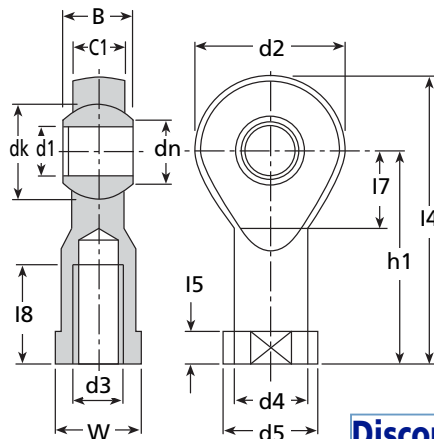


# BEARINGS

**KB-M**

## All Plastic Igubal® Female Rod Ends

2 - 30mm Bores : M2 - M30x2



- Maintenance free, self lubricating
- High strength under impact loads
- Very high tensile strength for varying loads
- Compensation for alignment errors
- Compensation for edge loads
- Resistant to dirt, dust and lint
- Available with metal insert in bore.  
Add MH to end of part number. P.O.A.  
e.g. **KBRM-02MH**

**Discounts: 20+ -15% 40+ -20% 60+ -25% 100+ -30% 200+ -35%**

Part Number RH Thread	Part Number LH Thread	Max Static Tensile Strength		Max Radial Load		Minimum Thread Depth (mm)	Max Torque Strength Outer Threading (Nm)	Max Torque Through Ball	
		Short Term (N)	Long Term (N)	Short Term (N)	Long Term (N)			Standard (Nm)	MH (Nm)
KBRM-02	KBLM-02	600	300	60	30	4	0.30	1	2
KBRM-03	KBLM-03	800	400	100	50	5	0.50	2	4
KBRM-05-M4	KBLM-05-M4	1000	500	250	125	7	1.00	5	12
KBRM-05	KBLM-05	1000	500	250	125	7	0.75	5	12
KBRM-06	KBLM-06	1400	700	400	200	8	1.50	10	15
KBRM-08	KBLM-08	2100	1050	700	350	11	10.00	12	40
KBRM-10	KBLM-10	3100	1550	800	400	13	15.00	20	50
KBRM-10F	KBLM-10F	3100	1550	800	400	13	6.00	20	50
KBRM-12	KBLM-12	3600	1800	900	450	15	20.00	30	70
KBRM-12F	KBLM-12F	3600	1800	900	450	15	15.00	30	70
KBRM-14	KBLM-14	4000	2000	1000	500	17	25.00	35	75
KBRM-16	KBLM-16	4200	2100	1300	650	19	30.00	40	110
KBRM-16F	KBLM-16F	4200	2100	1300	650	19	27.50	40	110
KBRM-18	KBLM-18	4600	2300	1600	800	21	45.00	45	150
KBRM-20	KBLM-20	5400	2700	2100	1050	22	80.00	55	200
KBRM-20F	KBLM-20F	5400	2700	2100	1050	22	60.00	55	200
KBRM-22	KBLM-22	7000	3500	2200	1100	25	75.00	60	225
KBRM-25	KBLM-25	8800	4400	2300	1150	28	120.00	60	260
KBRM-30	KBLM-30	10500	5250	2500	1250	34	135.00	60	300

Part Number RH Thread	Part Number LH Thread	d1 <sup>E10</sup>	dn	d2	d3	d4	d5	dk	C1	B	h1	I3	I4	I5	I7	W	Max Pivot Angle	Price Each 1 - 19
KBRM-02	KBLM-02	2	-	9	M2	4.0	4.6	-	3.0	4	12.5	6	17	-	-	SW04	30°	£10.55
KBRM-03	KBLM-03	3	-	13	M3	6.5	8.0	-	4.5	6	18.5	8	25	-	-	SW06	30°	£10.55
KBRM-05-M4	KBLM-05-M4	5	7.7	18	M4	9.0	12.0	11.10	6.0	8	27.0	10	36	4.0	9	SW09	30°	£10.55
KBRM-05	KBLM-05	5	7.7	18	M5	9.0	12.0	11.10	6.0	8	27.0	10	36	4.0	9	SW09	30°	£10.55
KBRM-06	KBLM-06	6	8.9	20	M6	10.0	13.0	12.70	7.0	9	30.0	12	40	5.0	10	SW11	29°	£10.61
KBRM-08	KBLM-08	8	10.3	24	M8	13.0	16.0	15.80	9.0	12	36.0	16	48	5.0	12	SW14	25°	£10.92
KBRM-10	KBLM-10	10	12.9	30	M10	15.0	19.0	19.00	10.5	14	43.0	20	58	6.5	14	SW17	25°	£17.04
KBRM-10F	KBLM-10F	10	12.9	30	M10x1.25	15.0	19.0	19.00	10.5	14	43.0	20	58	6.5	14	SW17	25°	£17.04
KBRM-12	KBLM-12	12	15.4	34	M12	18.0	22.0	22.20	12.0	16	50.0	22	67	6.5	16	SW19	25°	£14.12
KBRM-12F	KBLM-12F	12	15.4	34	M12x1.25	18.0	22.0	22.20	12.0	16	50.0	22	67	6.5	16	SW19	25°	£14.12
KBRM-14	KBLM-14	14	16.8	38	M14	20.0	25.0	25.40	13.5	19	57.0	25	76	8.0	18	SW22	23°	£15.88
KBRM-16	KBLM-16	16	19.3	42	M16	22.0	27.0	28.50	15.0	21	64.0	28	85	8.0	21	SW22	23°	£17.87
KBRM-16F	KBLM-16F	16	19.3	42	M16x1.5	22.0	27.0	28.50	15.0	21	64.0	28	85	8.0	21	SW22	23°	£17.87
KBRM-18	KBLM-18	18	21.8	46	M18x1.5	25.0	31.0	31.70	16.5	23	71.0	32	94	10.0	23	SW27	23°	£19.98
KBRM-20	KBLM-20	20	24.3	50	M20x2.5	28.0	34.0	34.90	18.0	25	77.0	33	102	10.0	25	SW30	23°	£24.18
KBRM-20F	KBLM-20F	20	24.3	50	M20x1.5	28.0	34.0	34.90	18.0	25	77.0	33	102	10.0	25	SW30	23°	£24.18
KBRM-22	KBLM-22	22	25.8	56	M22x1.5	30.0	37.0	38.10	20.0	28	84.0	37	112	12.0	27	SW32	22°	£28.38
KBRM-25	KBLM-25	25	29.5	60	M24x2.0	32.0	41.0	42.85	22.0	31	94.0	42	124	12.0	30	SW36	22°	£33.54
KBRM-30	KBLM-30	30	34.8	70	M30x2.0	37.0	50.0	50.80	25.0	37	110.0	51	145	15.0	35	SW41	22°	£45.41

+44 (0)1246 455500  
+44 (0)1246 455522

**ondrives**

sales@ondrives.com  
www.ondrives.com

Product information updated 1st April 2011 and subject to change. Please contact Sales for the latest prices and availability.