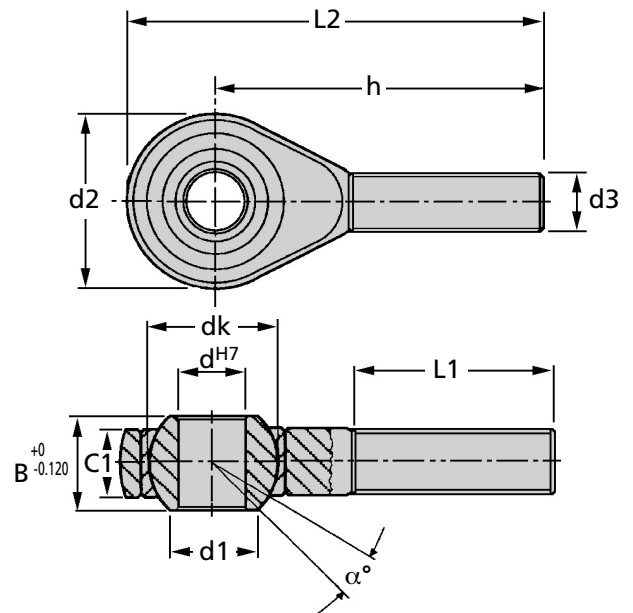
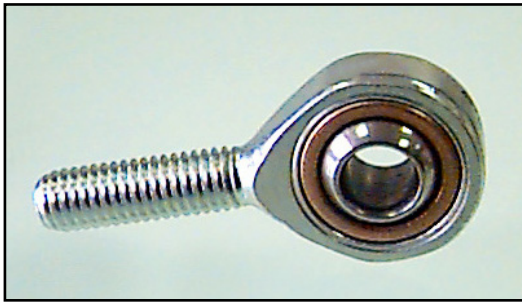


BEARINGS

CMM

Male Rod Ends - Free Moving (High Ball Clearance)

Self Lubricating - Bronze Insert : 5 - 20mm Bores, M5 - M20x1.5

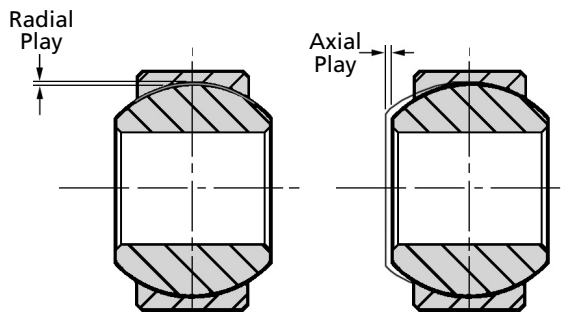


Discounts: 10+ -20% 40+ -30% 100+ -40% 200+ -50% 500+ -52%

Part Number	d	d3	B	C1	d1	d2	dk	h	L1	L2
CMM.00.05	5	M5	8	6.00	7.70	18	11.112	33	19	42
CMM.00.06	6	M6	9	6.75	8.90	20	12.700	36	21	46
CMM.00.08	8	M8	12	9.00	10.40	24	15.875	42	25	54
CMM.00.10	10	M10	14	10.50	12.90	28	19.050	48	28	62
CMM.00.12	12	M12	16	12.00	15.40	32	22.225	54	32	70
CMM.00.16	16	M16	21	15.00	19.30	42	28.575	66	37	84
CMM20x1.5	20	M20x1.5	25	18.00	24.30	50	34.925	78	45	103

Bore		Radial Backlash	
From (mm)	To (mm)	From $\mu\text{m}(0.001)$	To $\mu\text{m}(0.001)$
3	6	5	50
6	10	7	61
10	18	8	75
18	30	10	92
30	35	13	112

Axial Backlash = 4 x Radial Backlash



Part Number		Radial Static Load Fs (daN)	α° Movement Angle	Weight g	Price Each 1 - 9	
RH	LH				RH	LH
CMM.00.05	CMM.00.05/LH	150	13	15	£24.12	£32.56
CMM.00.06	CMM.00.06/LH	250	13	22	£12.49	£16.85
CMM.00.08	CMM.00.08/LH	400	14	38	£13.47	£18.21
CMM.00.10	CMM.00.10/LH	700	13	63	£15.92	£21.50
CMM.00.12	CMM.00.12/LH	1000	13	100	£17.70	£23.90
CMM.00.16	CMM.00.16/LH	1800	15	195	£53.87	£72.75
CMM20x1.5	CMM20x1.5/LH	2000	14	370	£65.40	£91.59

Material

Bearing Surfaces: Steel on bronze. Ball: Bearing Steel 100 Cr6, hardened, ground polished. Inserts: Special Bronze cold form onto the ball. Housing (Sizes 5-12): Low Carbon Steel. (Sizes 16-20): High Carbon Alloy Steel.

Performance

Operating Temp. Range: -30°C to +150°C. Radial Dynamic Load: (Simple) multiply Static by 0.50 (Varied) multiply Static by 0.25.

Axial Loads: Multiply Static Radial Load by 0.20.

Other Info.

Maintenance free. Wear resistant bearing surfaces. Low constant rotational resistance.

+44 (0)1246 455500
+44 (0)1246 455522

ondrives

sales@ondrives.com
www.ondrives.com

Product information updated 1st April 2011 and subject to change. Please contact Sales for the latest prices and availability.