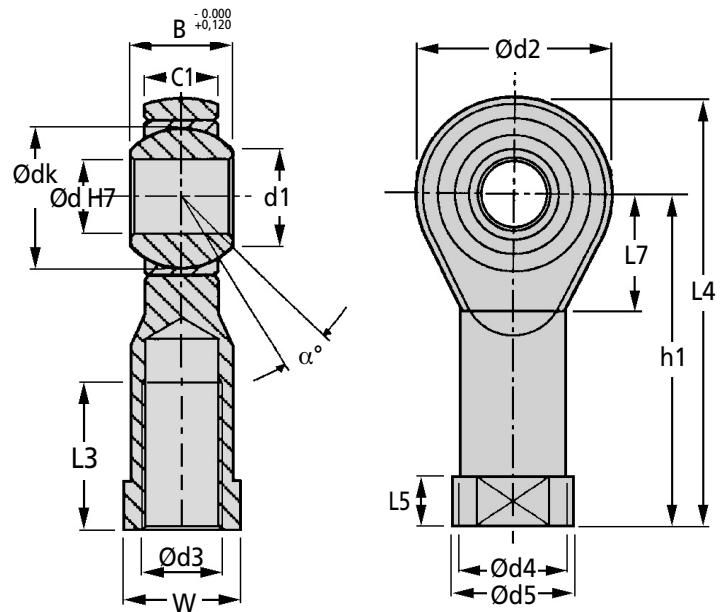


BEARINGS

CFF-SS

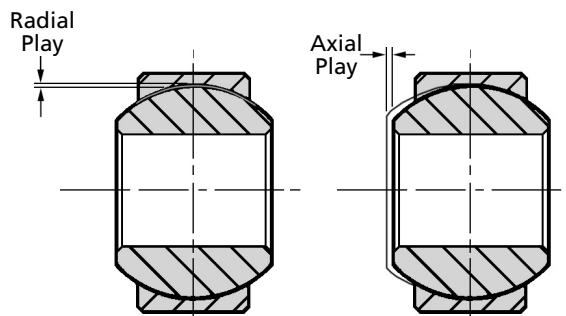
Female Rod Ends - Free Moving (High Ball Clearance)

Self Lubricating - Stainless Steel - Bronze Insert : 6 - 20mm Bores, M6 - M20x2.5



| Bore | | Radial Backlash | |
|-----------|---------|---------------------------|-------------------------|
| From (mm) | To (mm) | From $\mu\text{m}(0.001)$ | To $\mu\text{m}(0.001)$ |
| 3 | 6 | 5 | 50 |
| 6 | 10 | 7 | 61 |
| 10 | 18 | 8 | 75 |
| 18 | 30 | 10 | 92 |
| 30 | 35 | 13 | 112 |

Axial Backlash = 4 x Radial Backlash



Discounts: 10+ -5% 40+ -10% 100+ -15%

| Part Number | Ød | Ød3 | B | C1 | Ød1 | Ød2 | Ød4 | Ød | Ødk | h1 | L3 | L4 | L5 | L7 | W |
|-------------|----|----------|----|-------|-------|-----|-------|----|-------|----|----|-----|-------|----|----|
| CFF.00.06ss | 6 | M6x1 | 9 | 6,75 | 8,90 | 20 | 10,00 | 13 | 12,70 | 30 | 12 | 40 | 5,00 | 11 | 11 |
| CFF.00.08ss | 8 | M8x1.25 | 12 | 9,00 | 10,40 | 24 | 12,50 | 16 | 15,90 | 36 | 16 | 48 | 5,00 | 13 | 14 |
| CFF.00.10ss | 10 | M10x1.5 | 14 | 10,50 | 12,90 | 28 | 15,00 | 19 | 19,10 | 43 | 20 | 57 | 6,50 | 15 | 17 |
| CFF.00.12ss | 12 | M12x1.75 | 16 | 12,00 | 15,40 | 32 | 17,50 | 22 | 22,22 | 50 | 22 | 66 | 6,50 | 17 | 19 |
| CFF.00.16ss | 16 | M16x2 | 21 | 15,00 | 19,30 | 42 | 22,00 | 27 | 28,60 | 64 | 28 | 85 | 8,00 | 23 | 22 |
| CFF.00.20ss | 20 | M20x2.5 | 25 | 18,00 | 24,30 | 50 | 27,50 | 34 | 34,90 | 77 | 33 | 102 | 10,00 | 27 | 30 |

| Part Number | Radial Static Load F_s (daN) | Movement Angle α° | Weight g | Price Each 1 - 9 |
|-------------|--------------------------------|-------------------------------|----------|------------------|
| CFF.00.06ss | 300 | 13 | 25 | £38.85 |
| CFF.00.08ss | 450 | 14 | 46 | £48.14 |
| CFF.00.10ss | 600 | 13 | 75 | £59.38 |
| CFF.00.12ss | 770 | 13 | 112 | £69.85 |
| CFF.00.16ss | 1140 | 15 | 222 | £129.63 |
| CFF.00.20ss | 1240 | 14 | 406 | £146.92 |

Axial Static Load = 2 x Radial Static Load

Material

Bearing Surfaces: Stainless Steel. **Ball:** Stainless Steel 420, ground polished.
Inserts: Special bronze cold form onto the ball. **Housing** Stainless Steel 304.

Other Info.

Self lubricating. Maintenance free. Wear resistant bearing surfaces. Low constant rotational resistance

+44 (0)1246 455500
 +44 (0)1246 455522

ondrives

sales@ondrives.com
 www.ondrives.com

Product information updated 1st April 2011 and subject to change. Please contact Sales for the latest prices and availability.