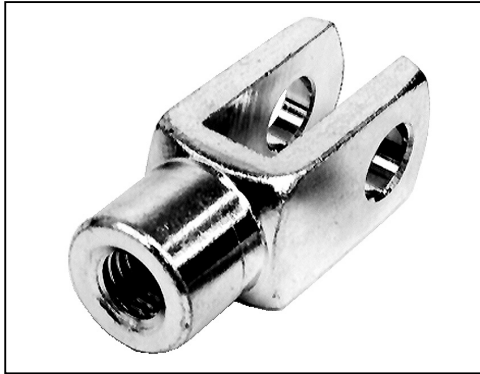


**CLS
CLP**

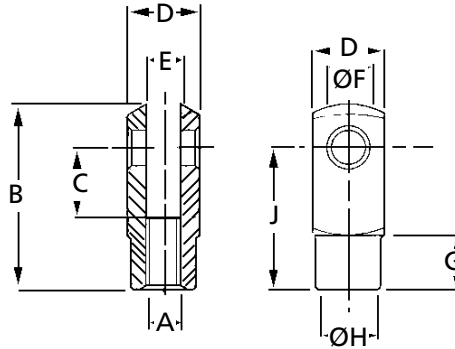
BEARINGS

Short Series Clevis Components - DIN 71752

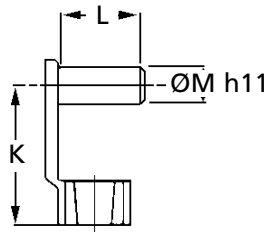
4 - 16mm Pin, M4 - M16x1.5



CLS Type Clevis



CLP Type Retention Spring Clip



Discounts: 6+ -10% 20+ -20% 50+ -30% 80+ -35% 100+ -45% 200+ -50% 500+ -52%

Part Number		A	B	C	D	E	ØF	G	ØH	J	K	L	ØM h11	Price Each	
Steel	Stainless													1 - 5 Steel	1 - 5 Stainless
CLEVIS															
CLS-4	-	M4 x 0.70	21	8	8	4	4	6.0	8	16	-	-	-	£1.50	-
CLS-5	CLS-5SS	M5 x 0.80	26	10	10	5	5	7.5	9	20	-	-	-	£1.50	£13.33
CLS-6	CLS-6SS	M6 x 1.00	31	12	12	6	6	9.0	10	24	-	-	-	£1.60	£19.26
CLS-8	CLS-8SS	M8 x 1.25	42	16	16	8	8	12.0	14	32	-	-	-	£1.72	£19.57
CLS-10	CLS-10SS	M10 x 1.50	52	20	20	10	10	15.0	18	40	-	-	-	£2.63	£24.08
CLS-12	CLS-12SS	M12 x 1.75	62	24	24	12	12	18.0	20	48	-	-	-	£4.62	£30.36
CLS-16	CLS-16SS	M16 x 2.00	83	32	32	16	16	24.0	26	64	-	-	-	£9.55	£51.42
CLS-20	-	M20 x 2.50	105	40	40	20	20	30.0	34	80	-	-	-	£19.87	-
CLS-10C	-	M10 x 1.25	52	20	20	10	10	15.0	18	40	-	-	-	£2.63	-
CLS-12C	-	M12 x 1.25	62	24	24	12	12	18.0	20	48	-	-	-	£4.62	-
CLS-16C	-	M16 x 1.50	83	32	32	16	16	24.0	26	64	-	-	-	£9.55	-
SPRING CLIP															
CLP-4	-	-	-	-	-	-	-	-	-	-	15	9	4	£0.79	-
CLP-5	-	-	-	-	-	-	-	-	-	-	19	12	5	£0.84	-
CLP-6	-	-	-	-	-	-	-	-	-	-	23	14	6	£0.80	-
CLP-8	-	-	-	-	-	-	-	-	-	-	31	19	8	£0.91	-
CLP-10	-	-	-	-	-	-	-	-	-	-	39	23	10	£1.03	-
CLP-12	-	-	-	-	-	-	-	-	-	-	47	28	12	£1.57	-
CLP-16	-	-	-	-	-	-	-	-	-	-	62	36	16	£2.61	-
CLP-20	-	-	-	-	-	-	-	-	-	-	71	49	20	£5.15	-

Material

CLS: Steel 9 SMn 28K (550-700 N/mm²). Zinc plate and clear passivated.

CLS-SS: Stainless 1.4305 (including pin)

CLP: Steel 9 SMn 28K (550-700 N/mm²).

Other Info.

Stainless Steel Clevis assembly supplied complete with stainless pin. CLP Type not available in Stainless.

+44 (0)1246 455500
+44 (0)1246 455522

ondrives

sales@ondrives.com
www.ondrives.com

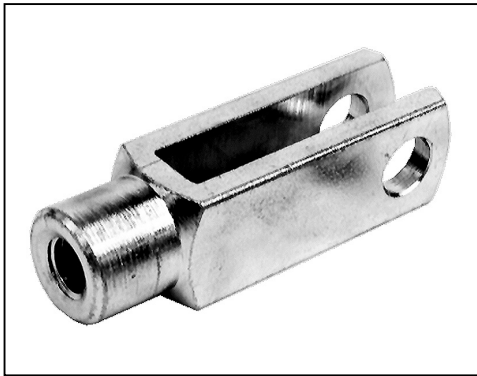
Product information updated 1st April 2011 and subject to change. Please contact Sales for the latest prices and availability.

BEARINGS

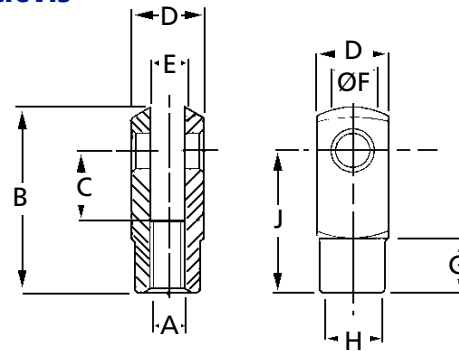
Long Series Clevis Components - DIN 71752

5 - 12mm Pin, M5 - M12x1.75

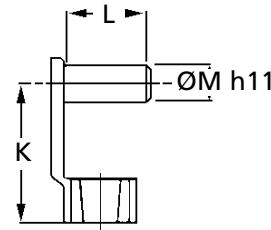
CLL
CLLP



CLL Type Clevis



CLLP Type Retention Spring Clip



Discounts: 6+ -10% 20+ -20% 50+ -30% 80+ -35% 100+ -45% 200+ -50% 500+ -52%

Part Number	A	B	C	D	E	ØF H8	G	ØH	J	K	L	ØM	Price Each 1 - 5
CLEVIS													
CLL-5	M5 x 0.80	36	20	10	5.14/5.26	5	7.50	9	30	-	-	-	£1.60
CLL-6	M6 x 1.00	43	24	12	6.14/6.26	6	9.00	10	36	-	-	-	£1.57
CLL-8	M8 x 1.25	58	32	16	8.15/8.30	8	12.00	14	48	-	-	-	£2.37
CLL-10	M10 x 1.50	72	40	20	10.15/10.30	10	15.00	18	60	-	-	-	£4.46
CLL-12	M12 x 1.75	86	48	24	12.15/12.33	12	18.00	20	72	-	-	-	£7.03
SPRING CLIP													
CLLP-5	-	-	-	-	-	-	-	-	-	29	12	5	£0.84
CLLP-6	-	-	-	-	-	-	-	-	-	35	14	6	£0.84
CLLP-8	-	-	-	-	-	-	-	-	-	47	19	8	£0.95
CLLP-10	-	-	-	-	-	-	-	-	-	59	23	10	£1.14
CLLP-12	-	-	-	-	-	-	-	-	-	71	28	12	£1.83

Material

Clevis: Steel 9 SMn 28K (550-700 N/mm²). Zinc plate and clear passivated. **Spring Clip:** Steel 9 SMn 28K (550-700 N/mm²).

Extras

CLL Type Clevis assembly available in stainless steel 1.4305 complete with a stainless pin - contact Sales for price and availability. CLLP Type not available in Stainless.