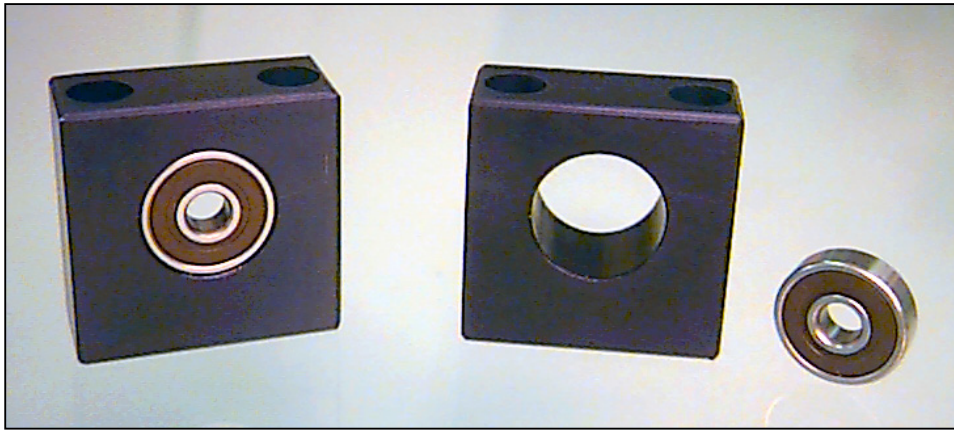


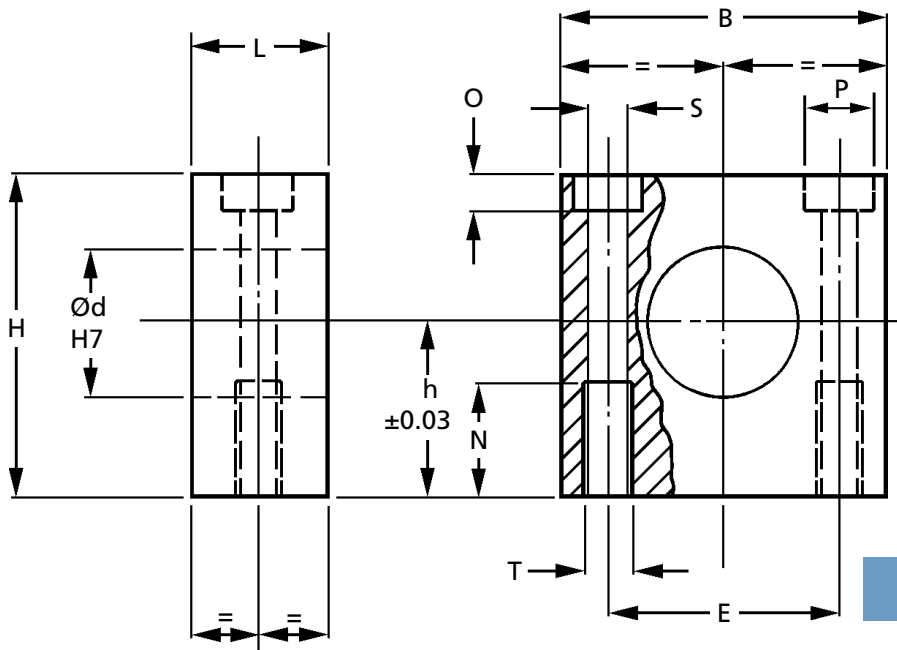
BQH

BEARINGS

Miniature Bearing Blocks



Note: Bearings supplied separately



Housing Type	Applicable Bearings	S Dimension (clearance for capscrew)
BQH13	Q624/Q686/ S686/SF686	M3 (AM3-30)
BQH16	Q634/Q625/ S688/SF688	M4 (AM4-35)
BQH19	Q626/Q61800/ SF6980	M5 (AM5-40)
BQH22	Q608/S608	M5 (AM5-45)

Discounts: 20+ -15% 50+ -25% 100+ -35% 200+ -40% 300+ -50% 400+ -58%

Part Number	Ød H7	h +/- .03	H	B	L	E	S	T	N	O	P	W kg	Price Each 1 - 19
BQH13	13	15	28	28	12	20	3.30	M4	10	3.20	6.00	0.02	£21.73
BQH16	16	18	32	32	14	22	4.30	M5	12	4.30	7.50	0.03	£22.68
BQH19	19	22	38	38	16	28	5.30	M6	14	5.30	9.00	0.05	£23.94
BQH22	22	25	42	42	18	30	5.30	M6	14	5.30	9.00	0.07	£25.80

Material

Aluminium 6082-T6 Black Anodised.

Other Info.

Material of the housing also available in Steel, Stainless Steel or plastic. P.O.A.
Designed for use with radial bearings. Either flanged or Plain. If using a plain type use bearing retainer, or machine in grooves for circlips.

+44 (0)1246 455500
+44 (0)1246 455522

ondrives

sales@ondrives.com
www.ondrives.com

Product information updated 1st April 2011 and subject to change. Please contact Sales for the latest prices and availability.