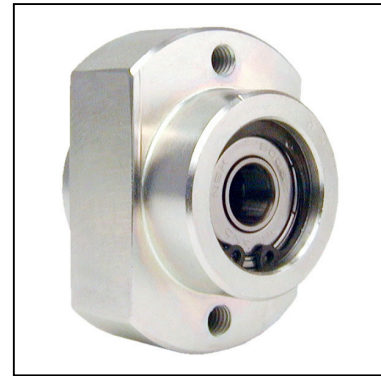
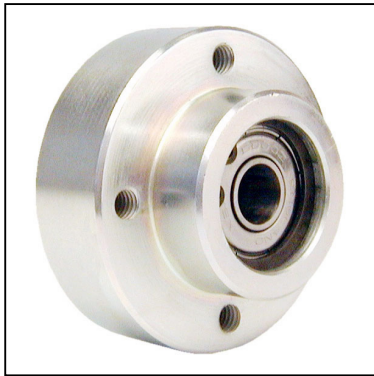
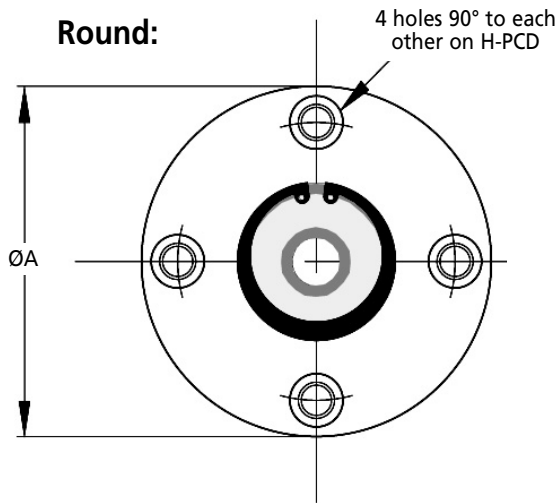
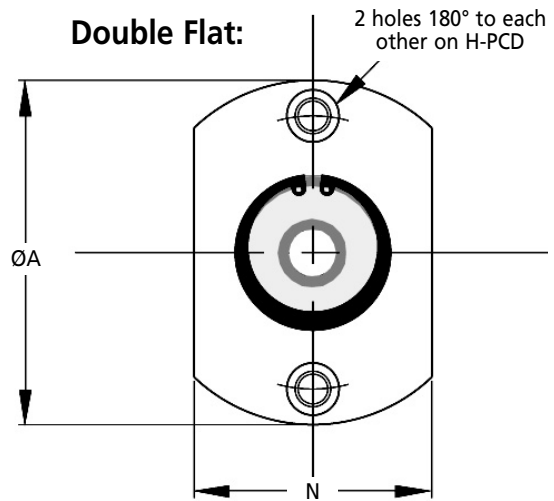


**BH04**

# BEARINGS

## Double Housed Bearing Assembly

with Circlip Retainer : 3 - 30mm Bores

**Round:****Double Flat:**

Part Number			ØB	ØD	ØC	L	L1	L2	L3	ØA	H - PCD
Round	Double Flat	Square									
BH0400-40-623	BH0401-40-623	BH0402-40-623	3	Ø10x7Dp	Ø8.5	22	8	10	4	40	30
BH0400-40-634	BH0401-40-634	BH0402-40-634	4	Ø16x8Dp	Ø14.0	22	8	10	4	40	30
BH0400-40-625	BH0401-40-625	BH0402-40-625	5	Ø16x8Dp	Ø14.0	22	8	10	4	40	30
BH0400-40-606	BH0401-40-606	BH0402-40-606	6	Ø17x9Dp	Ø15.0	22	8	10	4	40	30
BH0400-58-608	BH0401-58-608	BH0402-58-608	8	Ø22x11Dp	Ø19.5	36	12	18	6	58	46
BH0400-58-6000	BH0401-58-6000	BH0402-58-6000	10	Ø26x12Dp	Ø24.0	36	12	18	6	58	46
BH0400-58-6201	BH0401-58-6201	BH0402-58-6201	12	Ø32x14Dp	Ø28.0	36	12	18	6	58	46
BH0400-94-6202	BH0401-94-6202	BH0402-94-6202	15	Ø35x18Dp	Ø33.0	51	19	24	8	94	78
BH0400-94-6003	BH0401-94-6003	BH0402-94-6003	17	Ø35x17Dp	Ø33.0	51	19	24	8	94	78
BH0400-94-6004	BH0401-94-6004	BH0402-94-6004	20	Ø42x19Dp	Ø38.0	51	19	24	8	94	78
BH0400-94-6005	BH0401-94-6005	BH0402-94-6005	25	Ø47x19Dp	Ø43.0	51	19	24	8	94	78
BH0400-94-6006	BH0401-94-6006	BH0402-94-6006	30	Ø55x20Dp	Ø50.0	51	19	24	8	94	78

### Material

Housing: 080 M40 (C45) Steel, Zinc Plated Natural

Bearing: Steel (Bearing housings are supplied with bearings and circlip fitted. Bearing adhesive may be used during assembly). Shields (zz): Steel. Circlip: Steel

+44 (0)1246 455500

+44 (0)1246 455522

**ondrives**

sales@ondrives.com

www.ondrives.com

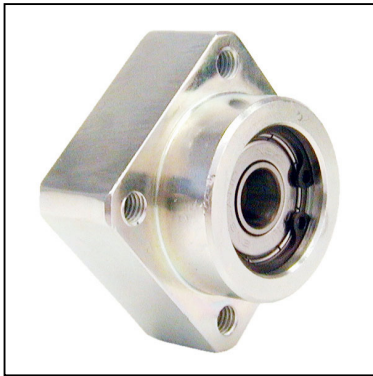
Product information updated 1st April 2011 and subject to change. Please contact Sales for the latest prices and availability.

# BEARINGS

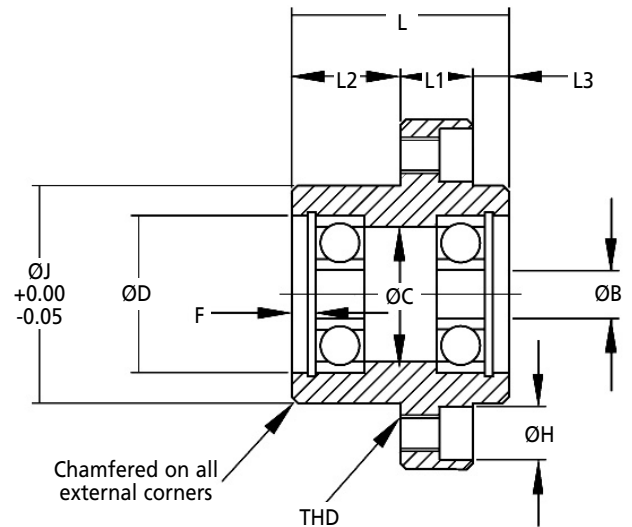
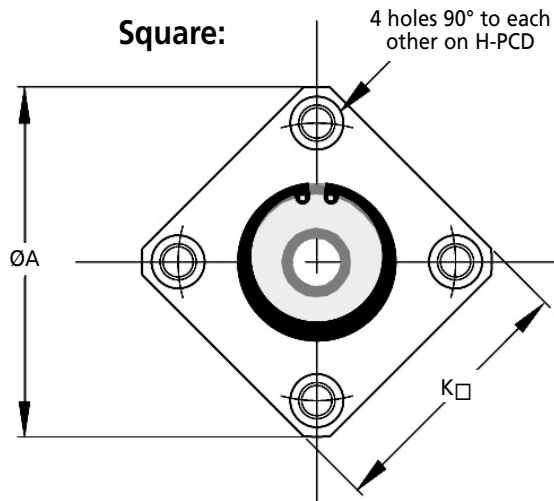
**BH04**

## Double Housed Bearing Assembly

with Circlip Retainer : 3 - 30mm Bores



For fixing, use H holes for a capscrew fixing, or alternatively the THD tapped hole can be used to introduce a fastener from the opposite direction.



**Discounts:** 6+ -5%   20+ -10%   30+ -15%   50+ -20%   100+ -30%

H	THD	K $\square$	Bearing XX in Assembly	N	ØJ	F	Price Each 1 - 5		
							Round	Double Flat	Square
Ø7.5x4.5Dp (M4 Capscrew)	Ø4.20 (M5)	30	623zz 3x10x4	24	Ø22	3	£38.43	£43.43	£45.46
Ø7.5x4.5Dp (M4 Capscrew)	Ø4.20 (M5)	30	634zz 4x16x5	24	Ø22	3	£38.43	£43.43	£45.46
Ø7.5x4.5Dp (M4 Capscrew)	Ø4.20 (M5)	30	625zz 5x16x5	24	Ø22	3	£38.43	£43.43	£45.46
Ø7.5x4.5Dp (M4 Capscrew)	Ø4.20 (M5)	30	606zz 6x17x6	24	Ø22	3	£38.43	£43.43	£45.46
Ø9.5x5.5Dp (M5 Capscrew)	Ø5.20 (M6)	44	608zz 8x22x7	40	Ø36	4	£47.73	£53.89	£56.85
Ø9.5x5.5Dp (M5 Capscrew)	Ø5.20 (M6)	44	6000zz 10x26x8	40	Ø36	4	£47.73	£53.89	£56.85
Ø9.5x5.5Dp (M5 Capscrew)	Ø5.20 (M6)	44	6201zz 12x32x10	40	Ø36	4	£47.73	£53.89	£56.85
Ø15.0x8.5Dp (M8 Capscrew)	Ø8.50 (M10)	77	6202zz 15x35x11	67	Ø62	7	£75.73	£85.53	£90.97
Ø15.0x8.5Dp (M8 Capscrew)	Ø8.50 (M10)	77	6003zz 17x35x10	67	Ø62	7	£75.73	£85.53	£90.97
Ø15.0x8.5Dp (M8 Capscrew)	Ø8.50 (M10)	77	6004zz 20x42x12	67	Ø62	7	£75.73	£85.53	£90.97
Ø15.0x8.5Dp (M8 Capscrew)	Ø8.50 (M10)	77	6005zz 25x47x12	67	Ø62	7	£75.73	£85.53	£90.97
Ø15.0x8.5Dp (M8 Capscrew)	Ø8.50 (M10)	77	6006zz 30x55x13	67	Ø62	7	£75.73	£85.53	£90.97