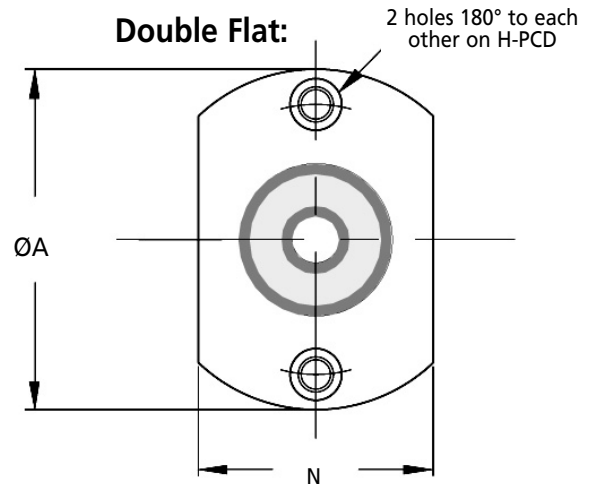
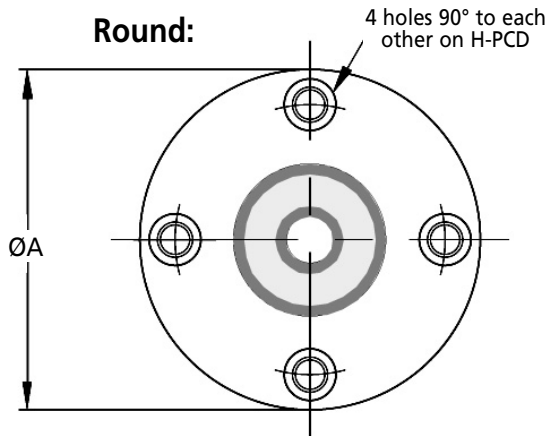
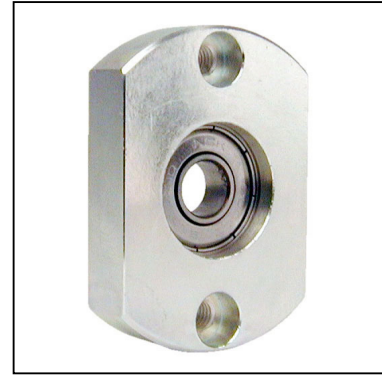
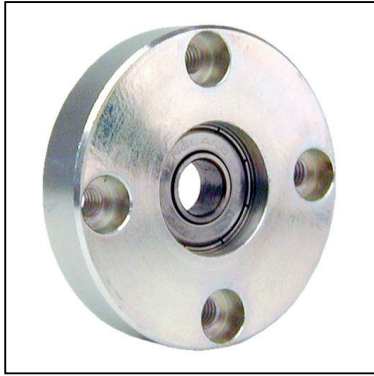


**BH01**

# BEARINGS

## Single Housed Bearing Assembly

3 - 30mm Bores



Part Number			ØB	ØD	ØC	L	ØA
Round	Double Flat	Square					
BH0100-40-623	BH0101-40-623	BH0102-40-623	3	Ø10 x 4Dp	Ø8.5	8	40
BH0100-40-634	BH0101-40-634	BH0102-40-634	4	Ø16 x 5Dp	Ø14.0	8	40
BH0100-40-625	BH0101-40-625	BH0102-40-625	5	Ø16 x 5Dp	Ø14.0	8	40
BH0100-40-606	BH0101-40-606	BH0102-40-606	6	Ø17 x 6Dp	Ø15.0	8	40
BH0100-58-608	BH0101-58-608	BH0102-58-608	8	Ø22 x 7Dp	Ø19.5	12	58
BH0100-58-6000	BH0101-58-6000	BH0102-58-6000	10	Ø26 x 8Dp	Ø24.0	12	58
BH0100-58-6201	BH0101-58-6201	BH0102-58-6201	12	Ø32 x 10Dp	Ø28.0	12	58
BH0100-94-6202	BH0101-94-6202	BH0102-94-6202	15	Ø35 x 11Dp	Ø33.0	18	94
BH0100-94-6003	BH0101-94-6003	BH0102-94-6003	17	Ø35 x 10Dp	Ø33.0	18	94
BH0100-94-6004	BH0101-94-6004	BH0102-94-6004	20	Ø42 x 12Dp	Ø38.0	18	94
BH0100-94-6005	BH0101-94-6005	BH0102-94-6005	25	Ø47 x 12Dp	Ø43.0	18	94
BH0100-94-6006	BH0101-94-6006	BH0102-94-6006	30	Ø55 x 13Dp	Ø50.0	18	94

### Material

**Housing:** 080 M40 (C45) Steel, Zinc Plated Natural**Bearing:** Steel (Bearing housings are supplied with a bearing fitted. Bearing adhesive may be used during assembly.) **Shields (zz):** Steel

+44 (0)1246 455500

+44 (0)1246 455522

**ondrives**

sales@ondrives.com

www.ondrives.com

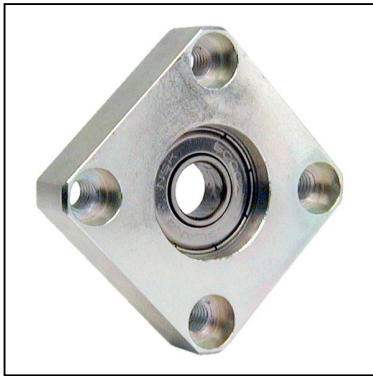
Product information updated 1st April 2011 and subject to change. Please contact Sales for the latest prices and availability.

# BEARINGS

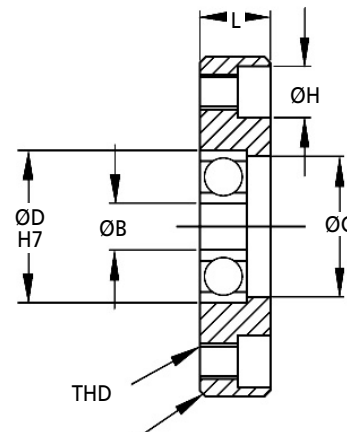
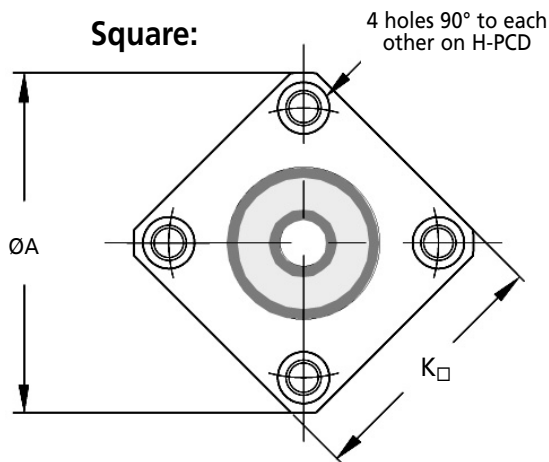
**BH01**

## Single Housed Bearing Assembly

3 - 30mm Bores



For fixing, use H holes for a capscrew fixing, or alternatively the THD tapped hole can be used to introduce a fastener from the opposite direction.



**Discounts:** 6+ -5%   20+ -10%   30+ -15%   50+ -20%   100+ -30%

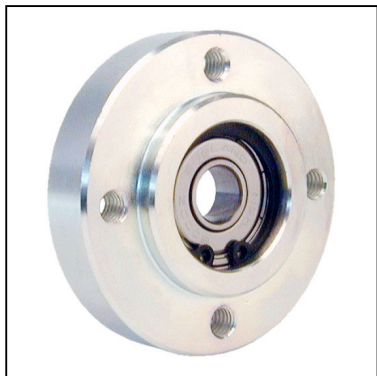
H - PCD	H	THD	K <sub>□</sub>	Bearing XX in Assembly	N	Price Each 1 - 5		
						Round	Double Flat	Square
30	Ø7.5x4.5Dp (M4 Capscrew)	Ø4.20 (M5)	30	623zz 3x10x4	24	£16.92	£19.13	£20.01
30	Ø7.5x4.5Dp (M4 Capscrew)	Ø4.20 (M5)	30	634zz 4x16x5	24	£16.92	£19.13	£20.01
30	Ø7.5x4.5Dp (M4 Capscrew)	Ø4.20 (M5)	30	625zz 5x16x5	24	£16.92	£19.13	£20.01
30	Ø7.5x4.5Dp (M4 Capscrew)	Ø4.20 (M5)	30	606zz 6x17x6	24	£16.92	£19.13	£20.01
46	Ø9.5x5.5Dp (M5 Capscrew)	Ø5.20 (M6)	44	608zz 8x22x7	40	£21.02	£23.73	£25.06
46	Ø9.5x5.5Dp (M5 Capscrew)	Ø5.20 (M6)	44	6000zz 10x26x8	40	£21.02	£23.73	£25.06
46	Ø9.5x5.5Dp (M5 Capscrew)	Ø5.20 (M6)	44	6201zz 12x32x10	40	£21.02	£23.73	£25.06
78	Ø15.0x8.5Dp (M8 Capscrew)	Ø8.50 (M10)	77	6202zz 15x35x11	67	£33.35	£37.68	£40.08
78	Ø15.0x8.5Dp (M8 Capscrew)	Ø8.50 (M10)	77	6003zz 17x35x10	67	£33.35	£37.68	£40.08
78	Ø15.0x8.5Dp (M8 Capscrew)	Ø8.50 (M10)	77	6004zz 20x42x12	67	£33.35	£37.68	£40.08
78	Ø15.0x8.5Dp (M8 Capscrew)	Ø8.50 (M10)	77	6005zz 25x47x12	67	£33.35	£37.68	£40.08
78	Ø15.0x8.5Dp (M8 Capscrew)	Ø8.50 (M10)	77	6006zz 30x55x13	67	£33.35	£37.68	£40.08

**BH02**

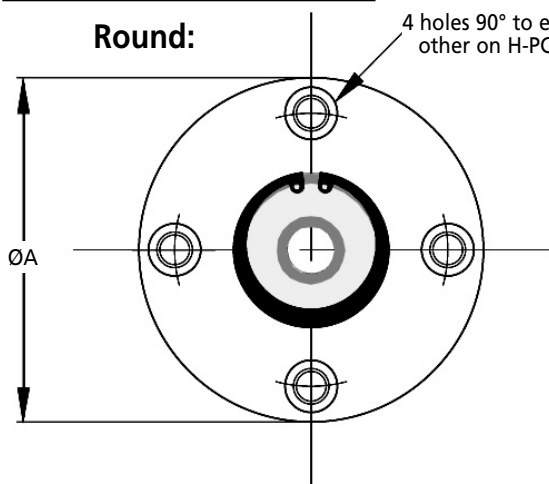
# BEARINGS

## Single Housed Bearing Assembly

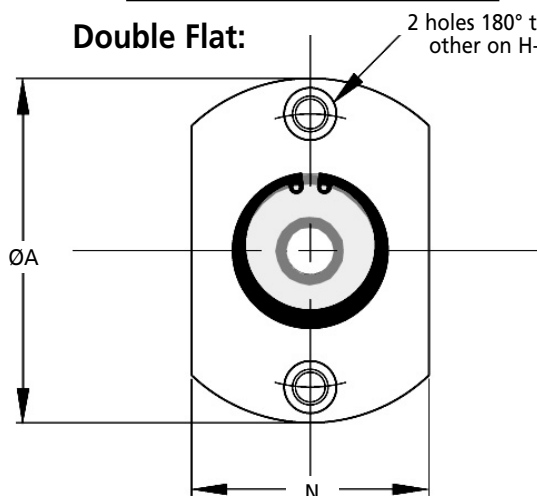
with Circlip Retainer : 3 - 30mm Bores

**Round:**

4 holes 90° to each other on H-PCD

**Double Flat:**

2 holes 180° to each other on H-PCD



Part Number			ØB	ØD	ØC	L	ØA	H - PCD
Round	Double Flat	Square						
BH0200-40-623	BH0201-40-623	BH0202-40-623	3	Ø10x7Dp	Ø8.5	11	40	30
BH0200-40-634	BH0201-40-634	BH0202-40-634	4	Ø16x8Dp	Ø14.0	11	40	30
BH0200-40-625	BH0201-40-625	BH0202-40-625	5	Ø16x8Dp	Ø14.0	11	40	30
BH0200-40-606	BH0201-40-606	BH0202-40-606	6	Ø17x9Dp	Ø15.0	11	40	30
BH0200-58-608	BH0201-58-608	BH0202-58-608	8	Ø22x11Dp	Ø19.5	16	58	46
BH0200-58-6000	BH0201-58-6000	BH0202-58-6000	10	Ø26x12Dp	Ø24.0	16	58	46
BH0200-58-6201	BH0201-58-6201	BH0202-58-6201	12	Ø32x14Dp	Ø28.0	16	58	46
BH0200-94-6202	BH0201-94-6202	BH0202-94-6202	15	Ø35x18Dp	Ø33.0	25	94	78
BH0200-94-6003	BH0201-94-6003	BH0202-94-6003	17	Ø35x17Dp	Ø33.0	25	94	78
BH0200-94-6004	BH0201-94-6004	BH0202-94-6004	20	Ø42x19Dp	Ø38.0	25	94	78
BH0200-94-6005	BH0201-94-6005	BH0202-94-6005	25	Ø47x19Dp	Ø43.0	25	94	78
BH0200-94-6006	BH0201-94-6006	BH0202-94-6006	30	Ø55x20Dp	Ø50.0	25	94	78

### Material

**Housing:** 080 M40 (C45) Steel, Zinc Plated Natural**Bearing:** Steel (Bearing housings are supplied with bearings and circlip fitted. Bearing adhesive may be used during assembly). **Shields (zz):** Steel. **Circlip:** Steel

+44 (0)1246 455500

+44 (0)1246 455522

**ondrives**

sales@ondrives.com

www.ondrives.com

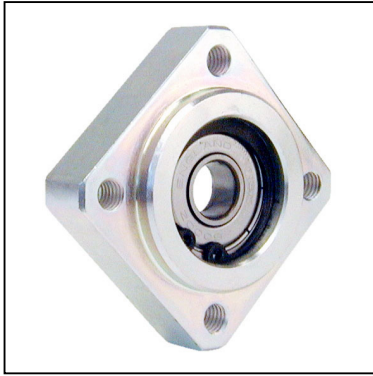
Product information updated 1st April 2011 and subject to change. Please contact Sales for the latest prices and availability.

# BEARINGS

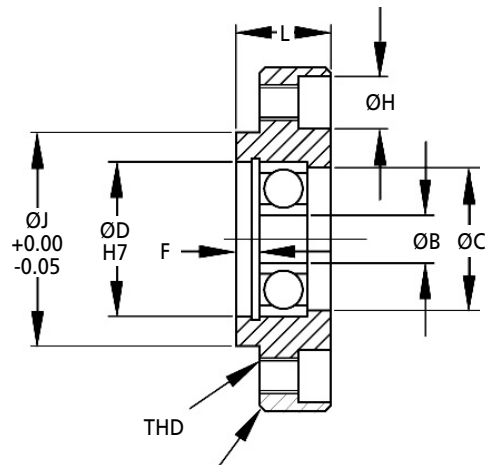
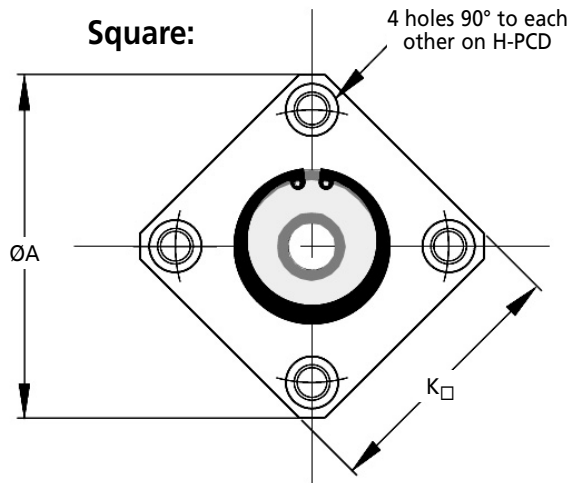
**BH02**

## Single Housed Bearing Assembly

with Circlip Retainer : 3 - 30mm Bores



For fixing, use H holes for a capscrew fixing, or alternatively the THD tapped hole can be used to introduce a fastener from the opposite direction.



Chamfered on all external corners

**Discounts:** 6+ -5%   20+ -10%   30+ -15%   50+ -20%   100+ -30%

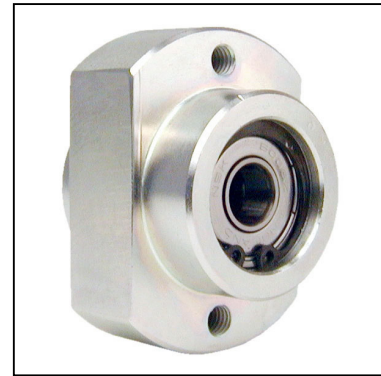
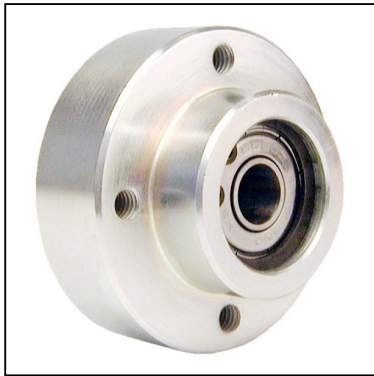
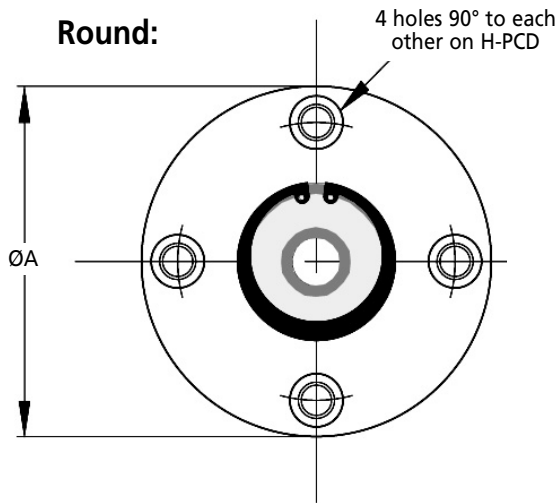
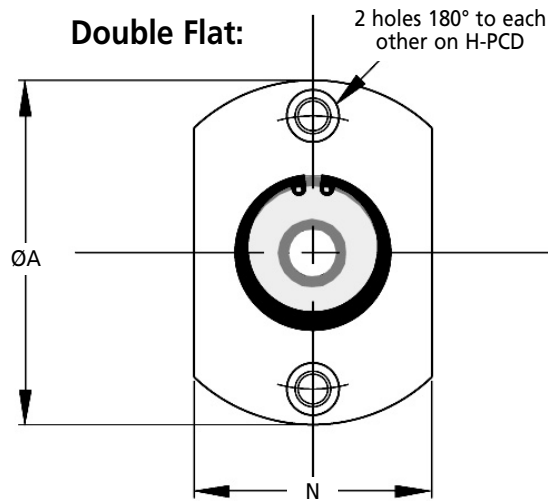
H	THD	K $\square$	Bearing XX in Assembly	N	ØJ	F	Price Each 1 - 5		
							Round	Double Flat	Square
Ø7.5x4.5Dp (M4 Capscrew)	Ø4.20 (M5)	30	623zz 3x10x4	24	Ø22x3	3	£20.31	£22.95	£24.04
Ø7.5x4.5Dp (M4 Capscrew)	Ø4.20 (M5)	30	634zz 4x16x5	24	Ø22x3	3	£20.31	£22.95	£24.04
Ø7.5x4.5Dp (M4 Capscrew)	Ø4.20 (M5)	30	625zz 5x16x5	24	Ø22x3	3	£20.31	£22.95	£24.04
Ø7.5x4.5Dp (M4 Capscrew)	Ø4.20 (M5)	30	606zz 6x17x6	24	Ø22x3	3	£20.31	£22.95	£24.04
Ø9.5x5.5Dp (M5 Capscrew)	Ø5.20 (M6)	44	608zz 8x22x7	40	Ø36x4	4	£25.26	£28.48	£30.06
Ø9.5x5.5Dp (M5 Capscrew)	Ø5.20 (M6)	44	6000zz 10x26x8	40	Ø36x4	4	£25.26	£28.48	£30.06
Ø9.5x5.5Dp (M5 Capscrew)	Ø5.20 (M6)	44	6201zz 12x32x10	40	Ø36x4	4	£25.26	£28.48	£30.06
Ø15.0x8.5Dp (M8 Capscrew)	Ø8.50 (M10)	77	6202zz 15x35x11	67	Ø66x6	7	£40.04	£45.22	£48.12
Ø15.0x8.5Dp (M8 Capscrew)	Ø8.50 (M10)	77	6003zz 17x35x10	67	Ø66x6	7	£40.04	£45.22	£48.12
Ø15.0x8.5Dp (M8 Capscrew)	Ø8.50 (M10)	77	6004zz 20x42x12	67	Ø66x6	7	£40.04	£45.22	£48.12
Ø15.0x8.5Dp (M8 Capscrew)	Ø8.50 (M10)	77	6005zz 25x47x12	67	Ø66x6	7	£40.04	£45.22	£48.12
Ø15.0x8.5Dp (M8 Capscrew)	Ø8.50 (M10)	77	6006zz 30x55x13	67	Ø66x6	7	£40.04	£45.22	£48.12

**BH04**

# BEARINGS

## Double Housed Bearing Assembly

with Circlip Retainer : 3 - 30mm Bores

**Round:****Double Flat:**

Part Number			ØB	ØD	ØC	L	L1	L2	L3	ØA	H - PCD
Round	Double Flat	Square									
BH0400-40-623	BH0401-40-623	BH0402-40-623	3	Ø10x7Dp	Ø8.5	22	8	10	4	40	30
BH0400-40-634	BH0401-40-634	BH0402-40-634	4	Ø16x8Dp	Ø14.0	22	8	10	4	40	30
BH0400-40-625	BH0401-40-625	BH0402-40-625	5	Ø16x8Dp	Ø14.0	22	8	10	4	40	30
BH0400-40-606	BH0401-40-606	BH0402-40-606	6	Ø17x9Dp	Ø15.0	22	8	10	4	40	30
BH0400-58-608	BH0401-58-608	BH0402-58-608	8	Ø22x11Dp	Ø19.5	36	12	18	6	58	46
BH0400-58-6000	BH0401-58-6000	BH0402-58-6000	10	Ø26x12Dp	Ø24.0	36	12	18	6	58	46
BH0400-58-6201	BH0401-58-6201	BH0402-58-6201	12	Ø32x14Dp	Ø28.0	36	12	18	6	58	46
BH0400-94-6202	BH0401-94-6202	BH0402-94-6202	15	Ø35x18Dp	Ø33.0	51	19	24	8	94	78
BH0400-94-6003	BH0401-94-6003	BH0402-94-6003	17	Ø35x17Dp	Ø33.0	51	19	24	8	94	78
BH0400-94-6004	BH0401-94-6004	BH0402-94-6004	20	Ø42x19Dp	Ø38.0	51	19	24	8	94	78
BH0400-94-6005	BH0401-94-6005	BH0402-94-6005	25	Ø47x19Dp	Ø43.0	51	19	24	8	94	78
BH0400-94-6006	BH0401-94-6006	BH0402-94-6006	30	Ø55x20Dp	Ø50.0	51	19	24	8	94	78

### Material

**Housing:** 080 M40 (C45) Steel, Zinc Plated Natural**Bearing:** Steel (Bearing housings are supplied with bearings and circlip fitted. Bearing adhesive may be used during assembly). **Shields (zz):** Steel. **Circlip:** Steel

+44 (0)1246 455500

+44 (0)1246 455522

**ondrives**

sales@ondrives.com

www.ondrives.com

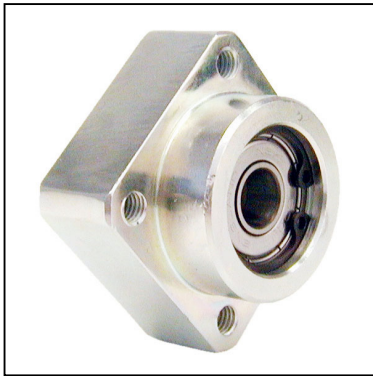
Product information updated 1st April 2011 and subject to change. Please contact Sales for the latest prices and availability.

# BEARINGS

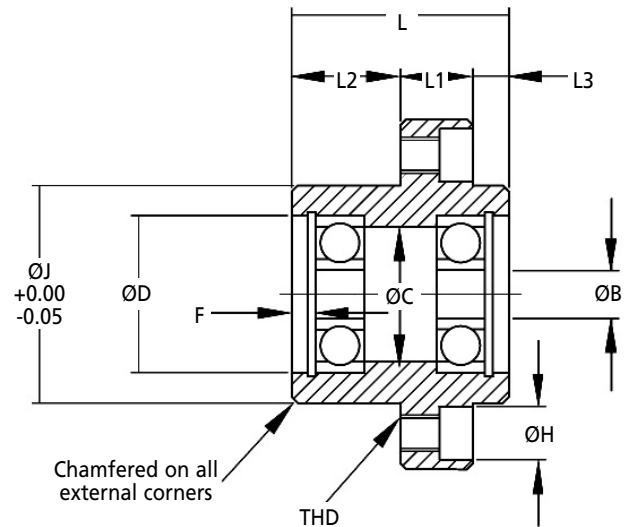
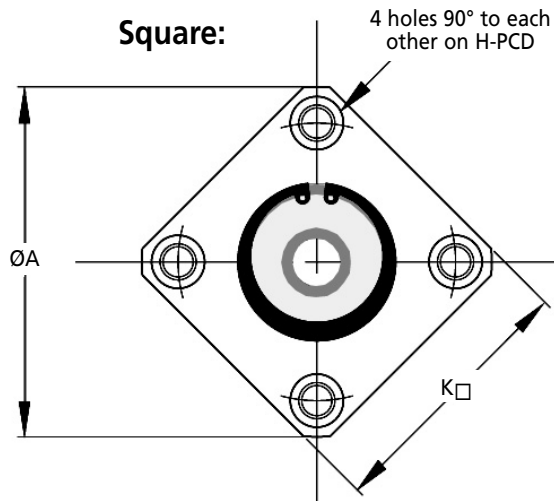
**BH04**

## Double Housed Bearing Assembly

with Circlip Retainer : 3 - 30mm Bores



For fixing, use H holes for a capscrew fixing, or alternatively the THD tapped hole can be used to introduce a fastener from the opposite direction.



**Discounts:** 6+ -5%    20+ -10%    30+ -15%    50+ -20%    100+ -30%

H	THD	K $\square$	Bearing XX in Assembly	N	ØJ	F	Price Each 1 - 5		
							Round	Double Flat	Square
Ø7.5x4.5Dp (M4 Capscrew)	Ø4.20 (M5)	30	623zz 3x10x4	24	Ø22	3	£38.43	£43.43	£45.46
Ø7.5x4.5Dp (M4 Capscrew)	Ø4.20 (M5)	30	634zz 4x16x5	24	Ø22	3	£38.43	£43.43	£45.46
Ø7.5x4.5Dp (M4 Capscrew)	Ø4.20 (M5)	30	625zz 5x16x5	24	Ø22	3	£38.43	£43.43	£45.46
Ø7.5x4.5Dp (M4 Capscrew)	Ø4.20 (M5)	30	606zz 6x17x6	24	Ø22	3	£38.43	£43.43	£45.46
Ø9.5x5.5Dp (M5 Capscrew)	Ø5.20 (M6)	44	608zz 8x22x7	40	Ø36	4	£47.73	£53.89	£56.85
Ø9.5x5.5Dp (M5 Capscrew)	Ø5.20 (M6)	44	6000zz 10x26x8	40	Ø36	4	£47.73	£53.89	£56.85
Ø9.5x5.5Dp (M5 Capscrew)	Ø5.20 (M6)	44	6201zz 12x32x10	40	Ø36	4	£47.73	£53.89	£56.85
Ø15.0x8.5Dp (M8 Capscrew)	Ø8.50 (M10)	77	6202zz 15x35x11	67	Ø62	7	£75.73	£85.53	£90.97
Ø15.0x8.5Dp (M8 Capscrew)	Ø8.50 (M10)	77	6003zz 17x35x10	67	Ø62	7	£75.73	£85.53	£90.97
Ø15.0x8.5Dp (M8 Capscrew)	Ø8.50 (M10)	77	6004zz 20x42x12	67	Ø62	7	£75.73	£85.53	£90.97
Ø15.0x8.5Dp (M8 Capscrew)	Ø8.50 (M10)	77	6005zz 25x47x12	67	Ø62	7	£75.73	£85.53	£90.97
Ø15.0x8.5Dp (M8 Capscrew)	Ø8.50 (M10)	77	6006zz 30x55x13	67	Ø62	7	£75.73	£85.53	£90.97