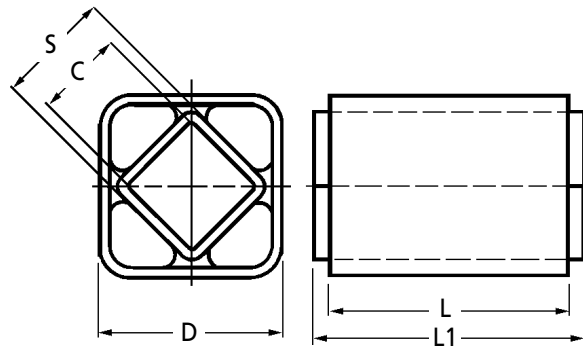
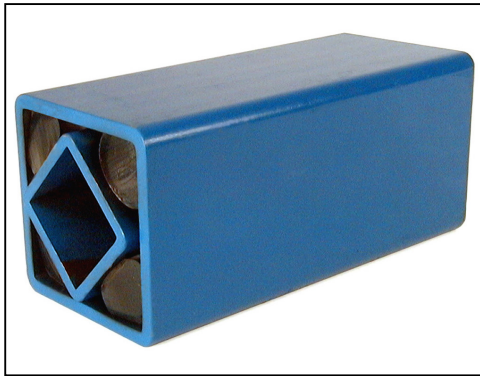


**DRS**

# ANTI-VIBRATION & SPRINGS

## Rosta Rubber Suspension Units



### Plug-in Connection

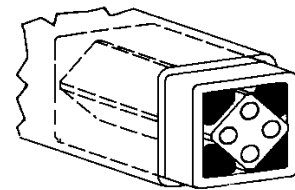
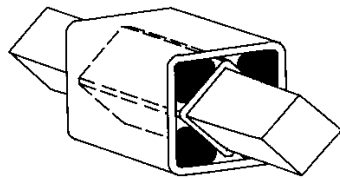
An easy and cost-effective connecting variant, if the unit is pretensioned in only one direction. Alternating oscillations in both directions would cause noise due to play compensation.

#### \*inserted connection:

The connection square has to be of blank quality with tolerance from h9 to h11. According to the specific connection square the edges might have to be machined.

#### \*\*outer square connection:

The tolerance of the outer housing corresponds to commercial square tubes. The thickness of the additional protection paint of 40 to 80µm has to be considered.



### Inserted connection

### Outer square connection

**Discounts:** 6+ -5%   20+ -10%   40+ -20%   60+ -25%

Part Number	L	L1 0 -0.03	C*	D**	S	Weight kg	Price Each 1 - 5
DRS1120	20	25	8 <sup>+0.15</sup> <sub>-0</sub>	20 <sup>+0.10</sup> <sub>-0.20</sub>	11	0.04	£11.88
DRS1130	30	35	8 <sup>+0.15</sup> <sub>-0</sub>	20 <sup>+0.10</sup> <sub>-0.20</sub>	11	0.05	£14.04
DRS1150	50	55	8 <sup>+0.15</sup> <sub>-0</sub>	20 <sup>+0.10</sup> <sub>-0.20</sub>	11	0.08	£17.20
DRS1525	25	30	11 <sup>+0.15</sup> <sub>-0</sub>	27 <sup>+0.10</sup> <sub>-0.20</sub>	15	0.07	£16.54
DRS1540	40	45	11 <sup>+0.15</sup> <sub>-0</sub>	27 <sup>+0.10</sup> <sub>-0.20</sub>	15	0.12	£19.63
DRS1560	60	65	11 <sup>+0.15</sup> <sub>-0</sub>	27 <sup>+0.10</sup> <sub>-0.20</sub>	15	0.18	£23.45
DRS1830	30	35	12 <sup>+0.15</sup> <sub>-0</sub>	32 <sup>+0.10</sup> <sub>-0.20</sub>	18	0.12	£19.34
DRS1850	50	55	12 <sup>+0.15</sup> <sub>-0</sub>	32 <sup>+0.10</sup> <sub>-0.20</sub>	18	0.20	£23.73
DRS1880	80	85	12 <sup>+0.15</sup> <sub>-0</sub>	32 <sup>+0.10</sup> <sub>-0.20</sub>	18	0.32	£30.00
DRS2740	40	45	22 <sup>+0.20</sup> <sub>-0</sub>	45 <sup>+0.20</sup> <sub>-0.10</sub>	27	0.26	£41.28
DRS2760	60	65	22 <sup>+0.20</sup> <sub>-0</sub>	45 <sup>+0.20</sup> <sub>-0.10</sub>	27	0.39	£48.77
DRS27100	100	105	22 <sup>+0.20</sup> <sub>-0</sub>	45 <sup>+0.20</sup> <sub>-0.10</sub>	27	0.65	£48.77
DRS3860	60	70	30 <sup>+0.25</sup> <sub>-0</sub>	60 <sup>+0.15</sup> <sub>-0.30</sub>	38	0.67	£50.30
DRS3880	80	90	30 <sup>+0.25</sup> <sub>-0</sub>	60 <sup>+0.15</sup> <sub>-0.30</sub>	38	0.90	£58.17
DRS38120	120	130	30 <sup>+0.25</sup> <sub>-0</sub>	60 <sup>+0.15</sup> <sub>-0.30</sub>	38	1.32	£75.35
DRS4580	80	90	35 <sup>+0.25</sup> <sub>-0</sub>	72 <sup>+0.15</sup> <sub>-0.30</sub>	45	1.17	£74.15
DRS45100	100	110	35 <sup>+0.25</sup> <sub>-0</sub>	72 <sup>+0.15</sup> <sub>-0.30</sub>	45	1.45	£82.40
DRS45150	150	160	35 <sup>+0.25</sup> <sub>-0</sub>	72 <sup>+0.15</sup> <sub>-0.30</sub>	45	2.15	£144.84
DRS50120	120	130	40 <sup>+0.25</sup> <sub>-0</sub>	78 <sup>+0.15</sup> <sub>-0.30</sub>	50	2.10	£112.53
DRS50200	200	210	40 <sup>+0.25</sup> <sub>-0</sub>	78 <sup>+0.15</sup> <sub>-0.30</sub>	50	3.46	£158.56
DRS50300	300	310	40 <sup>+0.25</sup> <sub>-0</sub>	78 <sup>+0.15</sup> <sub>-0.30</sub>	50	5.12	£224.52

### Material

**Housing:** Steel. **Rubber:** Black, hardness 70 Shore. Other grades available as specials.

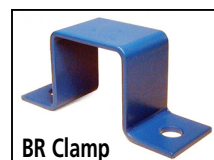
**Inner square section:** Steel tube for mounting plug-in lever arms on one or both sides. All metal parts are paint-finished.

### Performance

**Maximum Working Angle:** ±30°. **Operating Temperature Range:** -40°C to +80°C.

### Accessories

Use Clamp Type BR to position the rubber suspension unit type DRS, DRA and DRC. For longer units two or more clamps are recommended. The clamps are paint-finished.



BR Clamp

+44 (0)1246 455500  
+44 (0)1246 455522

**ondrives**

sales@ondrives.com  
www.ondrives.com

Product information updated 1st April 2011 and subject to change. Please contact Sales for the latest prices and availability.