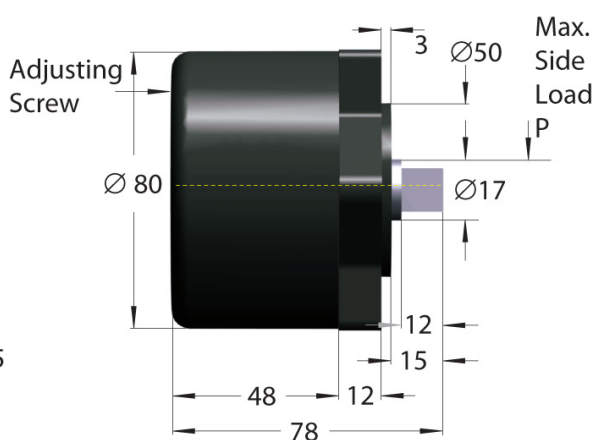
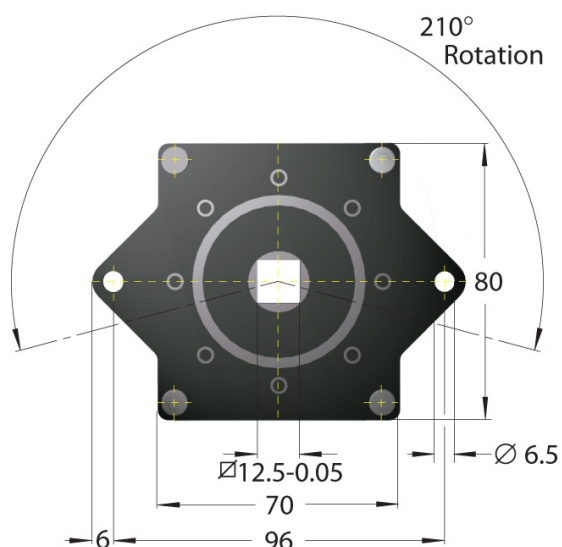
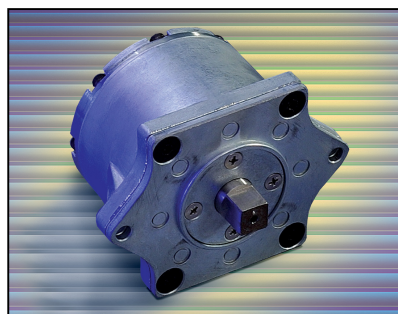


**FYT-LA3**  
**FYN-LA3**

# ANTI-VIBRATION & SPRINGS

## Rotary Dampers

Adjustable : 4 - 40Nm



**Discounts:** 10+ -5%    25+ -12%    50+ -20%

Bi-directional Damping	Part Number		(Adj.) Damping Torque Nm	Maximum Side Load N	Price Each	
	RH Damping (Clockwise)	LH Damping (Anti-clockwise)			1 - 9	FYN
FYT-LA3	FYN-LA3-R	FYN-LA3-L	4 - 40	200	£507.63	£507.63

### Material

Body: Diecast Zinc

Shaft: Steel

Fluid: Silicone

### Performance

Operating Temperature: -5°C to +50°C

Weight: 1.75kg

Maximum Rotation: 210°

Maximum Reverse Resistance on FYN Model: 10 Nm/rad/sec

### Other Info.

Keyed output shaft shown in mid-travel position.

A play of 5° can occur at the beginning of the movement.

Not to be used as a final end stop. External mechanical stops to be fitted at each end of travel.

+44 (0)1246 455500

+44 (0)1246 455522

**ondrives**

sales@ondrives.com

www.ondrives.com

Product information updated 1st April 2010 and subject to change. Please contact Sales for the latest prices and availability.