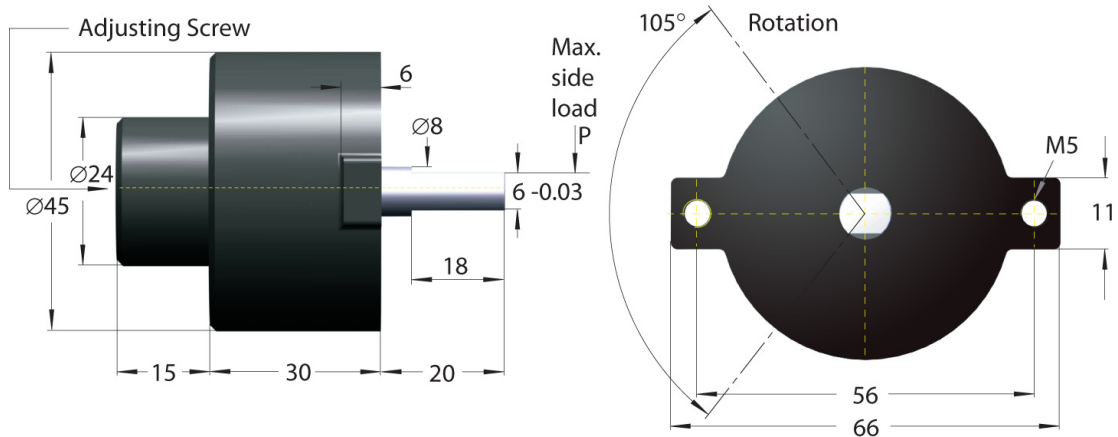
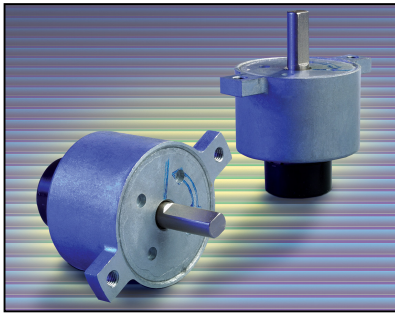


ANTI-VIBRATION & SPRINGS

FYT-H1

Rotary Dampers

Adjustable : 2 - 10Nm



Discounts: 10+ -10% 25+ -15% 50+ -30%

Bi-directional Damping	Part Number		(Adj.) Damping Torque Nm	Return Damping Torque Nm	Maximum Side Load N	Price Each	
	RH Damping (Clockwise)	LH Damping (Anti-clockwise)				1 - 9	RH/LH
FYT-H1	FYT-H1-R	FYT-H1-L	2 - 10	0.5	50	£107.85	£107.85

Material

Body: Zinc Diecast

Shaft: Steel

Fluid: Silicone

Performance

Operating Temperature: -5°C to +50°C

Weight: 240g

Maximum Speed: 3.9 rad/sec (37.2 rpm)

Other Info.

Keyed output shaft shown in mid-travel position.

A play of 5° can occur at the beginning of the movement.

Not to be used as a final end stop. External mechanical stops to be fitted at each end of travel.

+44 (0)1246 455500
+44 (0)1246 455522

ondrives

sales@ondrives.com
www.ondrives.com

Product information updated 1st April 2010 and subject to change. Please contact Sales for the latest prices and availability.