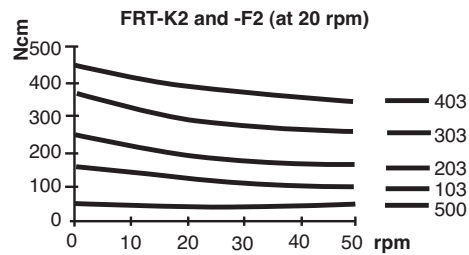
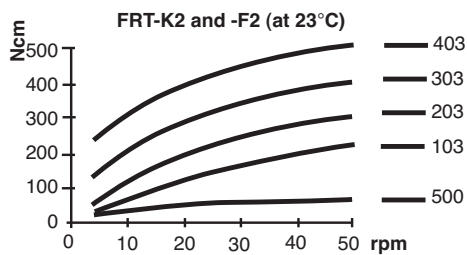
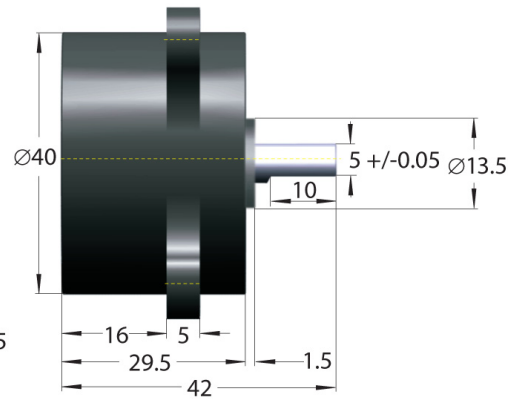
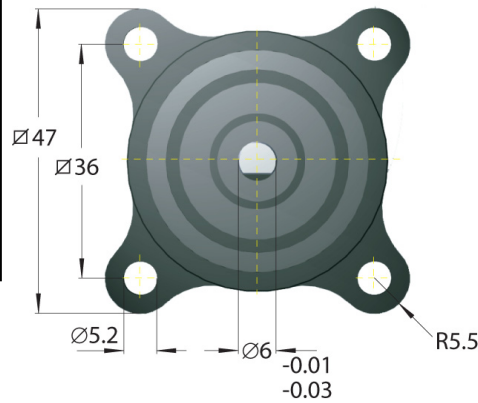
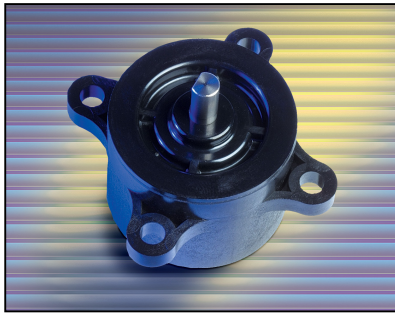


**FRTK
FRNK**

ANTI-VIBRATION & SPRINGS

Rotary Dampers

Bi-Directional & Uni-Directional : 50 - 400Ncm



Nominal torque figures at 20 rev/min and 23°C. Damping torque varies with temperature and speed as shown in the performance graphs.

Discounts: 10+ -10% | 25+ -15% | 50+ -30%

Bi-directional Damping	Part Number		Damping Torque Ncm	Price Each 1 - 9	
	RH Damping (Clockwise)	LH Damping (Anti-clockwise)		FRTK	FRNK
FRTK2502	FRNK2R502	FRNK2L502	50 ±10	£89.51	£98.54
FRTK2103	FRNK2R103	FRNK2L103	100 ±20	£89.51	£98.54
FRTF2203	FRNK2R203	FRNK2L203	200 ±40	£89.51	£98.54
FRTF2303	-	-	300 ±80	£89.51	-
FRTF2403	-	-	400 ±100	£89.51	-

Material

Material: Polycarbonate Plastic

Performance

Operating Temperature: 0°C to +50°C

Weight max: 0.116kg

+44 (0)1246 455500
+44 (0)1246 455522

ondrives

sales@ondrives.com
www.ondrives.com

Product information updated 1st April 2010 and subject to change. Please contact Sales for the latest prices and availability.