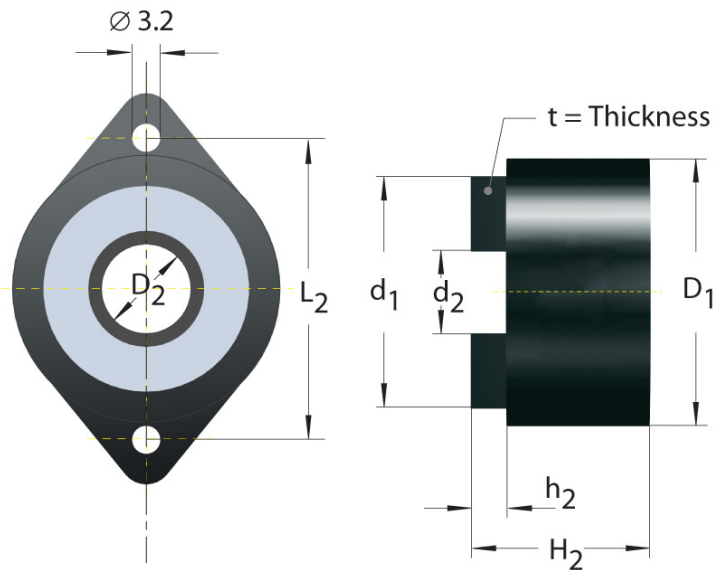
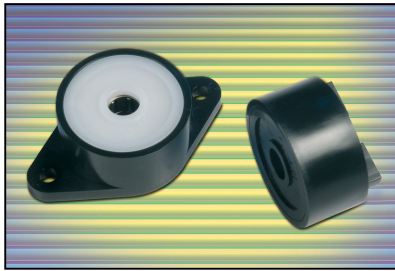


Rotary Dampers

Standard Type : 0.1 - 3Nm



Discounts: 10+ -5% 25+ -10% 50+ -15% 100+ -20%

Part Number		Damping Torque Nm									Price Each 1 - 9
Clockwise (Right) Damping	Anti-clockwise (Left) Damping		D1	D2	d1	d2	H2	h2	t		
Type S											
FFD25SSR102	FFD25SSL102	0.1	25	6	21	6.2	16	4	4	£33.92	
FFD25SSR502	FFD25SSL502	0.5	25	6	21	6.2	16	4	4	£33.92	
FFD25SSR103	FFD25SSL103	1.0	25	6	21	6.2	16	4	4	£33.92	
FFD28SSR102	FFD28SSL102	0.1	28	8	24	8.2	16	4	4	£34.08	
FFD28SSR502	FFD28SSL502	0.5	28	8	24	8.2	16	4	4	£34.08	
FFD28SSR103	FFD28SSL103	1.0	28	8	24	8.2	16	4	4	£34.08	
FFD30SSR102	FFD30SSL102	0.1	30	10	26	10.2	16	4	4	£34.34	
FFD30SSR502	FFD30SSL502	0.5	30	10	26	10.2	16	4	4	£34.34	
FFD30SSR103	FFD30SSL103	1.0	30	10	26	10.2	16	4	4	£34.34	
FFD30SSR153	FFD30SSL153	1.5	30	10	26	10.2	16	4	4	£34.34	
Type W											
FFD25SWR103	FFD25SWL103	1.0	25	6	21	6.2	22	4	4	£34.92	
FFD25SWR153	FFD25SWL153	1.5	25	6	21	6.2	22	4	4	£34.92	
FFD25SWR203	FFD25SWL203	2.0	25	6	21	6.2	22	4	4	£34.92	
FFD28SWR103	FFD28SWL103	1.0	28	8	24	8.2	22	4	4	£35.08	
FFD28SWR153	FFD28SWL153	1.5	28	8	24	8.2	22	4	4	£35.08	
FFD28SWR203	FFD28SWL203	2.0	28	8	24	8.2	22	4	4	£35.08	
FFD30SWR153	FFD30SWL153	1.5	30	10	26	10.2	22	4	4	£36.26	
FFD30SWR203	FFD30SWL203	2.0	30	10	26	10.2	22	4	4	£36.26	
FFD30SWR253	FFD30SWL253	2.5	30	10	26	10.2	22	4	4	£36.26	
FFD30SWR303	FFD30SWL303	3.0	30	10	26	10.2	22	4	4	£36.26	

Material

Material: Polycarbonate Plastic

Performance

Operating Temperature: -10°C to +60°C

Maximum Rotational Speed: 30 rpm

Maximum Cycle Rate: 13 cycles per minute

Other Info.

Recommended Shaft Details: $\varnothing^{+0.00/+0.03}$