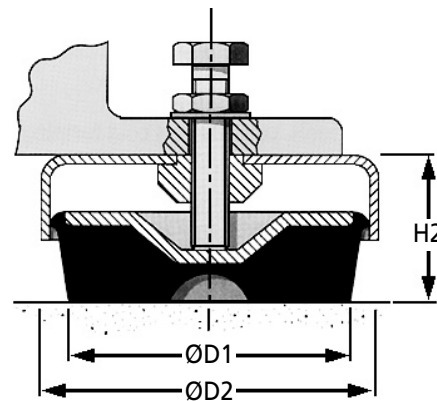
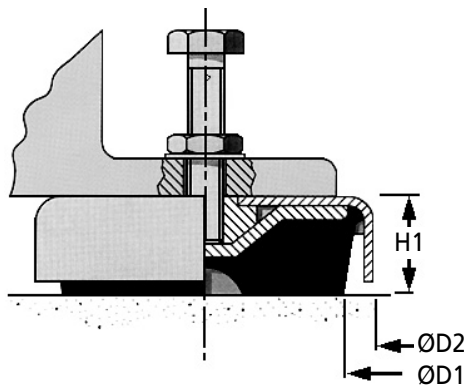


ISM

ANTI-VIBRATION & SPRINGS

Isomounts

Machine Mounts for Levelling, Shock & Vibration Isolation



To order a complete unit, please ensure that the hex head screw part number is included with your order

Discounts: 6+ -5% | 15+ -10%

Part Number Isomount	Hex Head Screw	Min. Height H1	Min. Height H2	ØD1	ØD2	Height Adjust- ment	Std. Screw	Screw Pitch	Screw Length	Price Each 1 - 5	
										Isomount	Hex Head Screw
ISM0-70	ISM0-M1060	21	30	36	50	9	M10	1.50	60	£14.15	£1.70
ISM1-80	ISM1-M1280	32	44	60	78	12	M12	1.75	80	£21.48	£2.94
ISM2-80	ISM2-M16100	39	55	100	118	16	M16	2.00	100	£40.14	£6.47
ISM3-80	ISM3-M20150	39	55	150	160	16	M20	1.50	150	£64.87	£14.15
ISM4-80	ISM4-M24150	50	70	210	225	20	M24	1.50	150	£116.79	£19.90

Performance

*Maximum loads:

Max 1: for general machinery.

Max 2: for power presses and fast cycle injection moulders.

Other Info.

ISOMOUNTS are designed for efficient and economic installation of a wide range of machinery. Machines can be installed rapidly and economically without bolting down.

ISOMOUNTS absorb both shock and vibration within the machine and protect machines from external disturbances.

ISOMOUNTS are particularly suited to: Plastic and rubber injection moulding machines, rubber and plastic processing machines, certain machine tools including: vertical broaches, drilling machines, gear cutters, measuring and inspection machines, impact machinery including power presses, diesel generators, compressors, pump sets, general process machinery.

Height adjustment is achieved by a levelling screw passing through machine foot into tapped bush in steel cover. This screw levels off the steel carrier plate vulcanised onto the specially designed nitrile rubber base.

Adjustable Height.

	Loadings per mount kg (static)			Hardness RHD-A
	Min	Max. 1*	Max. 2*	
ISM0-70	20	220	150	70
ISM1-80	60	400	300	80
ISM2-80	200	1200	900	80
ISM3-80	200	3000	2500	80
ISM4-80	1000	6000	5000	80

+44 (0)1246 455500
+44 (0)1246 455522

ondrives

sales@ondrives.com
www.ondrives.com

Product information updated 1st April 2011 and subject to change. Please contact Sales for an accurate price and delivery.