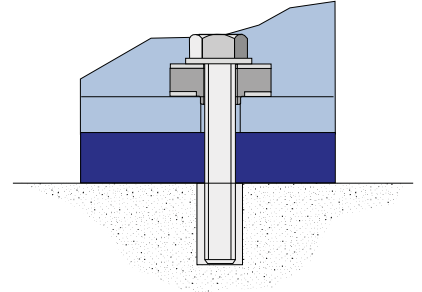
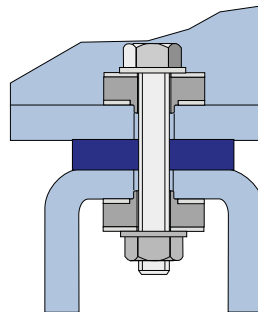
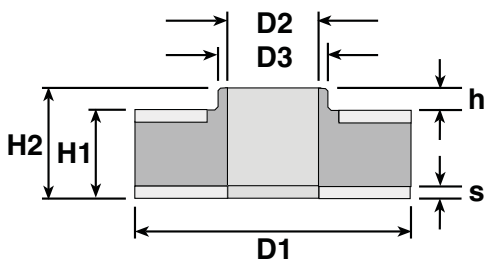
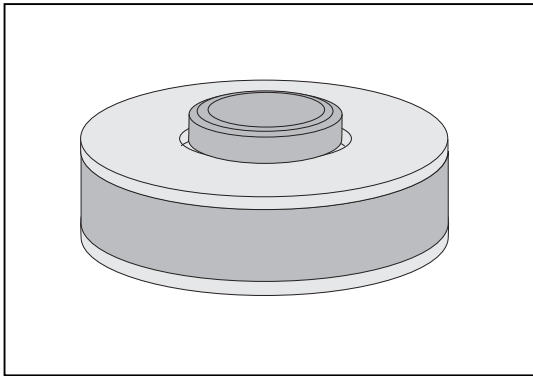


# ANTI-VIBRATION & SPRINGS

**AWRP**

## Anti-Vibration Washers

Isowasher with Spigot



Part Number	D1	D2	D3	H1	H2	h	s	Rubber Sh.A	Spring Constant kN/mm	Max. Load kN	Deflection at Max. Load mm	Max. Torque Nm	Price Each
AWRP-10	30	10.5	14.0	14	17	3	2	80	1.25	1.90	1.5	3	£P.O.A
AWRP-12	40	12.5	16.0	14	17	3	2	80	2.40	3.60	1.5	8	£P.O.A
AWRP-14	50	14.5	18.0	16	19	3	2	80	2.70	4.90	1.8	12	£P.O.A
AWRP-16	50	16.5	20.0	16	20	4	2	80	3.00	5.40	1.8	16	£P.O.A
AWRP-20	60	20.5	24.5	21	25	4	3	80	3.60	8.50	2.3	37	£P.O.A
AWRP-24	65	24.5	29.5	21	26	5	3	80	3.60	9.00	2.3	44	£P.O.A

### Material

Rubber and metal components.

+44 (0)1246 455500  
+44 (0)1246 455522

**ondrives**

sales@ondrives.com  
www.ondrives.com

Product information updated 1st April 2011 and subject to change. Please contact Sales for the latest prices and availability.