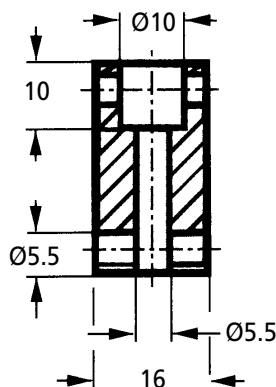
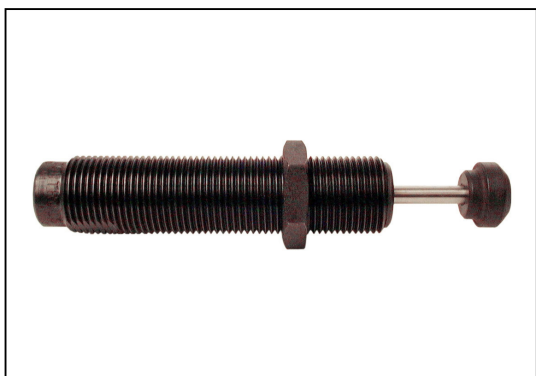


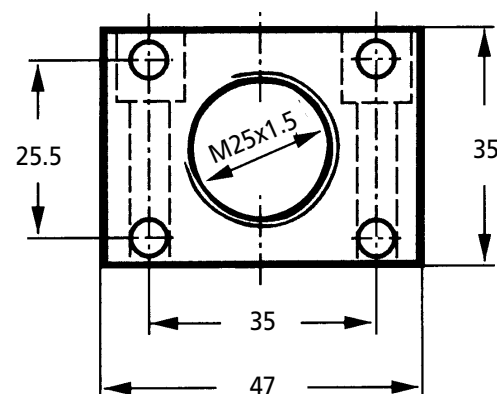
ANTI-VIBRATION & SPRINGS

SC925

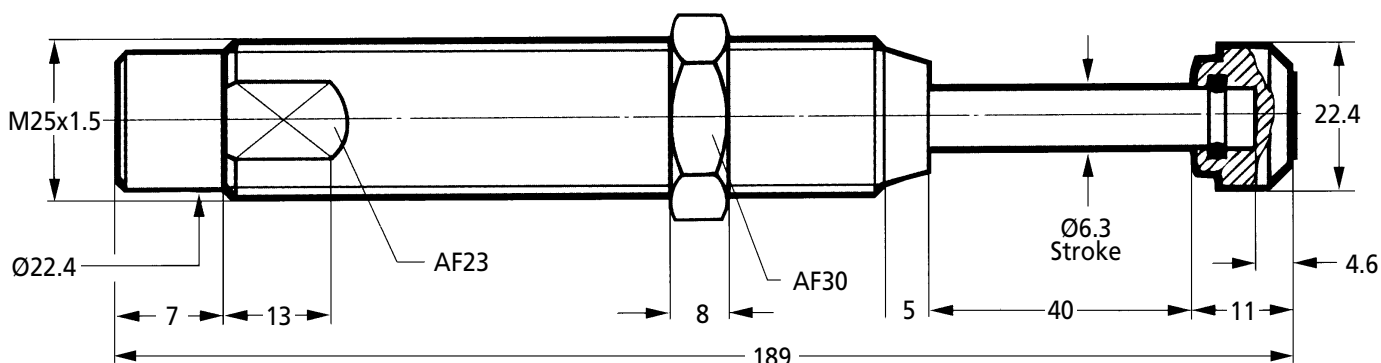
Linear Decelerators Soft Contact & Self-Compensating



Universal Mount



Standard Unit Includes 1 Locknut & button



Capacity Chart

Part Number	Effective Weight me		Max. Energy per cycle W3	Capacity Nm per hour W4	Return Force N	Rod Reset Time Sec	Max. Side Load Angle	Weight kg
	Soft Contact min. kg	Self-Compensating max. kg						
SC925-HDM-1	22 - 72	14 - 90	110	90000	11 - 32	0.40	5°	0.40
SC925-HDM-2	59 - 208	40 - 272	110	90000	11 - 32	0.40	5°	0.40
SC925-HDM-3	181 - 612	113 - 726	110	90000	11 - 32	0.40	5°	0.40
SC925-HDM-4	544 - 1952	340 - 2088	110	90000	11 - 32	0.40	5°	0.40

Standard Unit

Accessories

Discounts: 6+ -10% 10+ -20%

Part Number	Thread	Price Each 1 - 5	Locknut 250-0040	Stop Collar* 250-0276	Price Each 1 - 5 Universal Mount 250-0044	Rear Clevis 250-MARC	Front Clevis 250-MAFC
SC925-HDM-1	M25 x 1.5	£278.72	£4.42	£24.18	£35.21	£P.O.A	£P.O.A

Material

Body: Steel with Black Oxide Finish
Piston Rod: Hardened Stainless Steel
End Button: Hardened Steel with Elastomeric Insert for Noise Suppression

Other Info.

- * Stop Collar not required when using built in mechanical stop.
- These miniature units have the advantage of soft contact and deceleration, and cater for changing energy conditions without device adjustment.
- Available without rod end button on request. Contact sales for details.

Features

- Operating temperature range is 0°C to +65°C
- Integral mechanical stop
- Interchangeable with type MA units
- Stop collar can be installed if desired.

+44 (0)1246 455500
+44 (0)1246 455522

ondrives

sales@ondrives.com
www.ondrives.com

Product information updated 1st April 2011 and subject to change. Please contact Sales for the latest prices and availability.