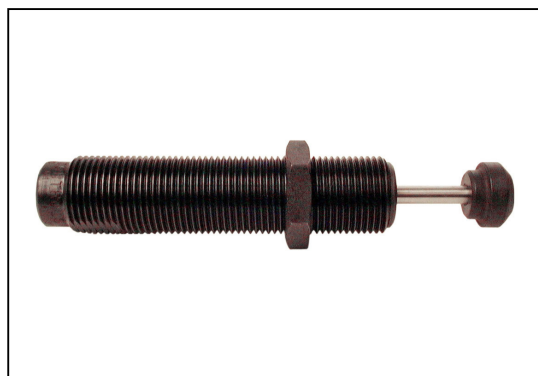


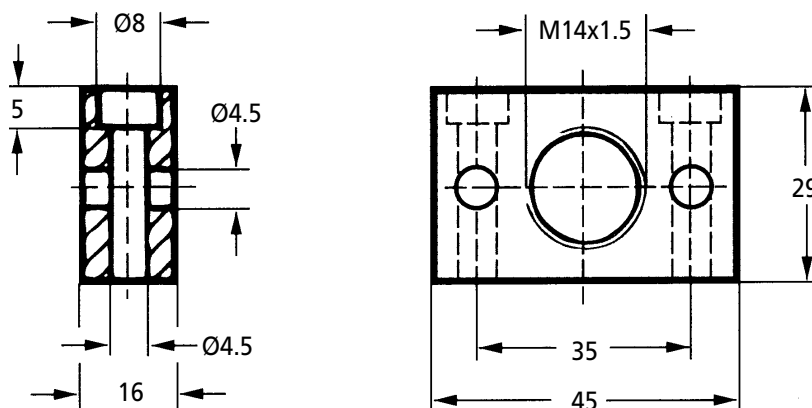
# ANTI-VIBRATION & SPRINGS

## SC190

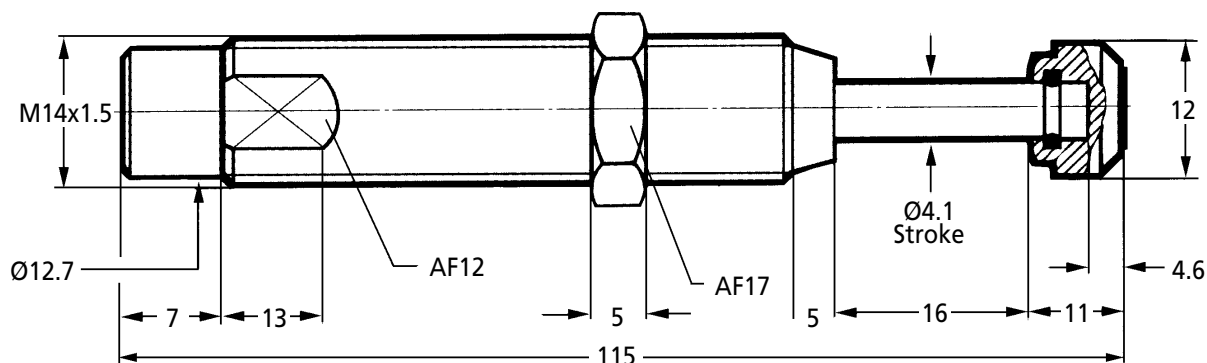
### Linear Decelerators Soft Contact & Self-Compensating



Universal Mount



Standard Unit  
Includes 1 Locknut & button



### Capacity Chart

Part Number	Effective Weight me		Max. Energy per cycle W3	Capacity Nm per hour W4	Return Force N	Rod Reset Time Sec	Max. Side Load Angle	Weight kg
	Soft Contact min. kg	Self-Compensating max. kg						
SC190-HDM-1	2.3 - 7	1.4 - 7	21	34000	4 - 9	0.25	5°	0.08
SC190-HDM-2	5.5 - 16	3.6 - 18	21	34000	4 - 9	0.25	5°	0.08
SC190-HDM-3	14.0 - 41	9.0 - 45	21	34000	4 - 9	0.25	5°	0.08
SC190-HDM-4	34.0 - 91	23.0 - 102	21	34000	4 - 9	0.25	5°	0.08

### Standard Unit

### Accessories

Discounts: 6+ -10% 10+ -20%

Part Number	Thread	Price Each 1 - 5	Locknut 250-0233	Stop Collar* 250-0272	Price Each 1 - 5 Universal Mount 250-0352	Rear Clevis	Front Clevis
SC190-HDM	M14 x 1.5	£101.30	£2.73	£11.45	£29.26	N/A	N/A

### Material

**Body:** Steel with Black Oxide Finish  
**Piston Rod:** Hardened Stainless Steel  
**End Button:** Hardened Steel with Elastomeric Insert for Noise Suppression

### Features

- Operating temperature range is 0°C to +65°C
- Integral mechanical stop
- Interchangeable with type MA units
- Stop collar can be installed if desired.

### Other Info.

\* Stop Collar not required when using built in mechanical stop. These miniature units have the advantage of soft contact and deceleration, and cater for changing energy conditions without device adjustment. M14 x 1 & M16 x 1 also available to special order. Available without rod end button on request. Contact sales for details.

+44 (0)1246 455500  
 +44 (0)1246 455522

**ondrives**

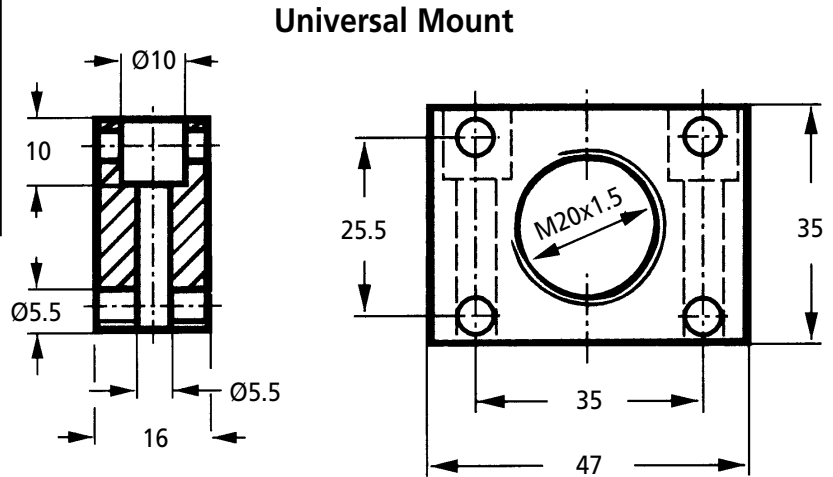
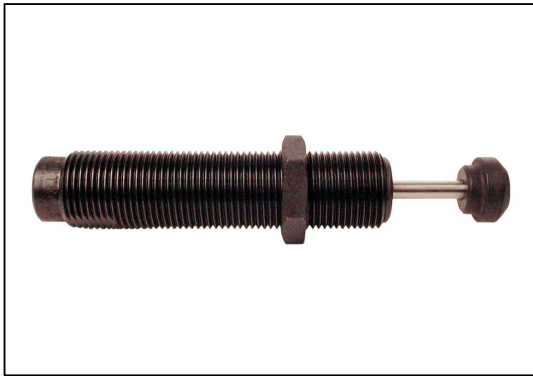
sales@ondrives.com  
 www.ondrives.com

Product information updated 1st April 2011 and subject to change. Please contact Sales for the latest prices and availability.

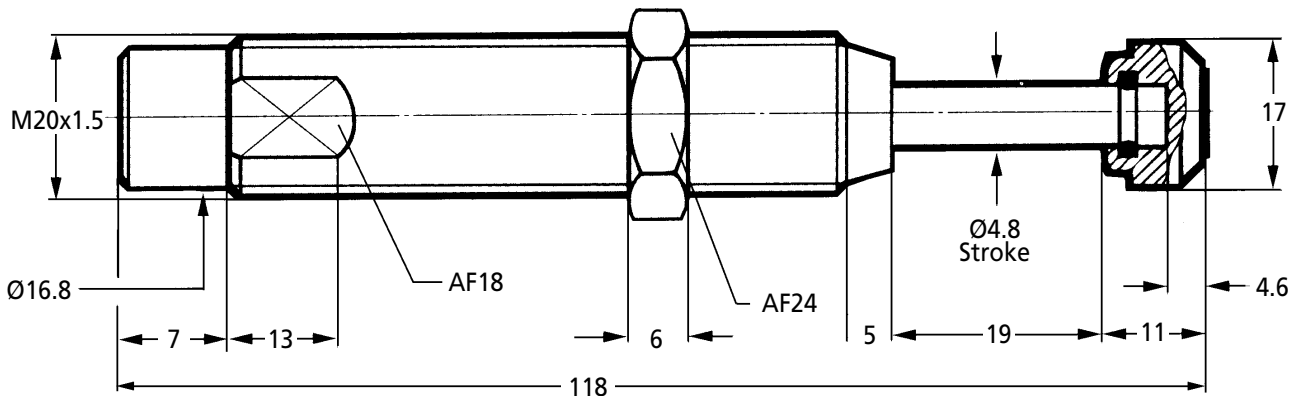
# ANTI-VIBRATION & SPRINGS

SC300

## Linear Decelerators Soft Contact & Self-Compensating



Standard Unit  
Includes 1 Locknut & button



### Capacity Chart

Part Number	Effective Weight me		Max. Energy per cycle W3	Capacity Nm per hour W4	Return Force N	Rod Reset Time Sec	Max. Side Load Angle	Weight kg		
	Soft Contact min. kg	Self-Compensating max. kg								
SC300-HDM-1	2.3	7	1.4	8	34	45000	5 - 10	0.10	5°	0.11
SC300-HDM-2	7.0	23	4.5	27	34	45000	5 - 10	0.10	5°	0.11
SC300-HDM-3	23.0	68	14.0	82	34	45000	5 - 10	0.10	5°	0.11
SC300-HDM-4	68.0	181	32.0	204	34	45000	5 - 10	0.10	5°	0.11

### Standard Unit

### Accessories

Discounts: 6+ -10% 10+ -20%

Part Number	Thread	Price Each 1 - 5	Locknut 250-0207	*Stop Collar 250-0410	Price Each 1 - 5 Universal Mount 250-0353	Rear Clevis	Front Clevis
SC300-HDM-1	M20 x 1.5	£105.90	£6.81	£16.94	£31.81	N/A	N/A

### Material

**Body:** Steel with Black Oxide Finish  
**Piston Rod:** Hardened Stainless Steel  
**End Button:** Hardened Steel with Elastomeric Insert for Noise Suppression

### Other Info.

\* Stop Collar not required when using built in mechanical stop. These miniature units have the advantage of soft contact and deceleration, and cater for changing energy conditions without device adjustment. M22 x 1.5 also available to special order. Available without rod end button on request. Contact sales for details.

### Features

- Operating temperature range is 0°C to +65°C
- Integral mechanical stop
- Interchangeable with type MA units
- Stop collar can be installed if desired.

+44 (0)1246 455500  
+44 (0)1246 455522

**ondrives**

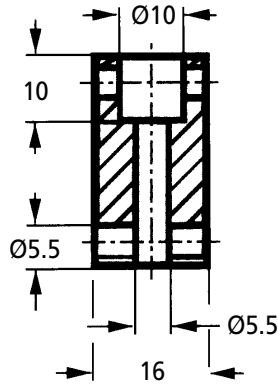
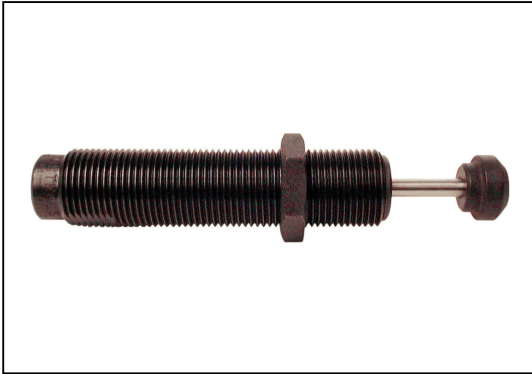
sales@ondrives.com  
www.ondrives.com

Product information updated 1st April 2011 and subject to change. Please contact Sales for the latest prices and availability.

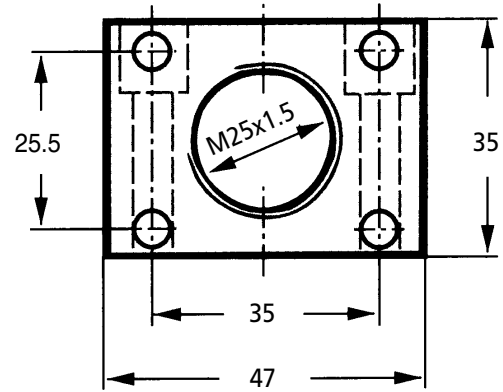
**SC650**

# ANTI-VIBRATION & SPRINGS

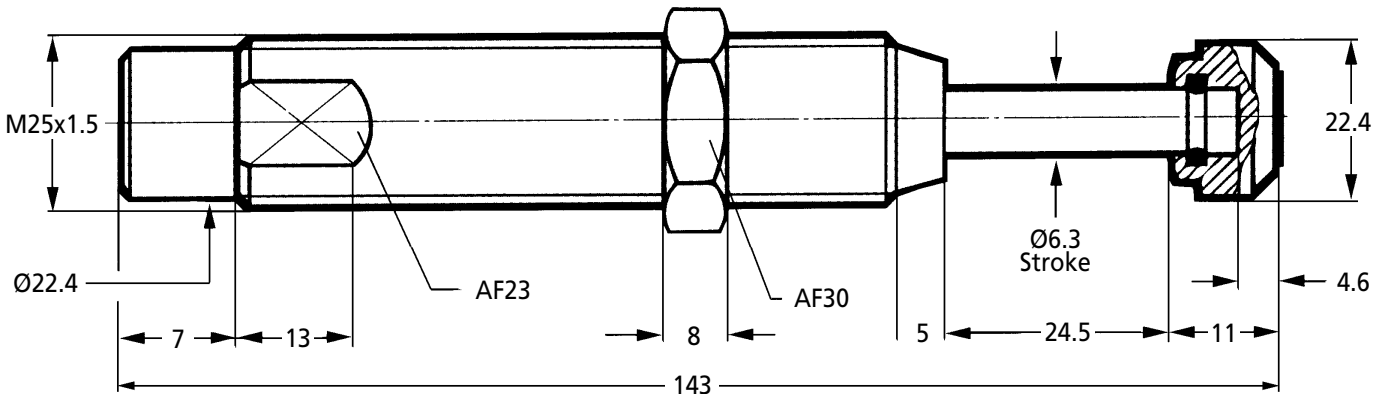
## Linear Decelerators Soft Contact & Self-Compensating



**Universal Mount**



**Standard Unit  
Includes 1 Locknut & button**



### Capacity Chart

Part Number	Effective Soft Contact min. kg	Weight me Self-Compensating min. kg	Max. Energy per cycle W3	Capacity Nm per hour W4	Return Force N	Rod Reset Time Sec	Max. Side Load Angle	Weight kg
SC650-HDM-1	11.0 - 36	8.0 - 45	73	68000	11 - 32	0.20	5°	0.31
SC650-HDM-2	34.0 - 113	23.0 - 136	73	68000	11 - 32	0.20	5°	0.31
SC650-HDM-3	109.0 - 363	68.0 - 408	73	68000	11 - 32	0.20	5°	0.31
SC650-HDM-4	363.0 - 1089	204.0 - 1180	73	68000	11 - 32	0.20	5°	0.31

### Standard Unit

### Accessories

**Discounts:** 6+ -10% 10+ -20%

Part Number	Thread	Price Each 1 - 5	Locknut 250-0040	Stop Collar* 250-0276	Price Each 1 - 5 Universal Mount 250-0044	Rear Clevis 250-MARC	Front Clevis 250-MAFC
SC650-HDM-1	M25 x 1.5	£157.37	£4.42	£24.18	£35.21	£P.O.A	£P.O.A

### Material

**Body:** Steel with Black Oxide Finish  
**Piston Rod:** Hardened Stainless Steel  
**End Button:** Hardened Steel with Elastomeric Insert for Noise Suppression

### Other Info.

\* Stop Collar not required when using built in mechanical stop. These miniature units have the advantage of soft contact and deceleration, and cater for changing energy conditions without device adjustment. M26 x 1.5 also available to special order. Available without rod end button on request. Contact sales for details.

### Features

- Operating temperature range is 0°C to +65°C
- Integral mechanical stop
- Interchangeable with type MA units
- Stop collar can be installed if desired.

+44 (0)1246 455500  
 +44 (0)1246 455522

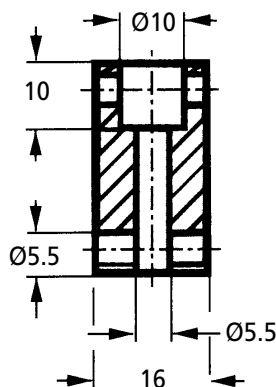
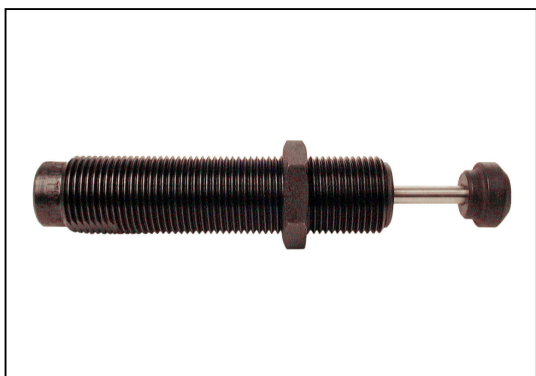
**ondrives**

sales@ondrives.com  
 www.ondrives.com

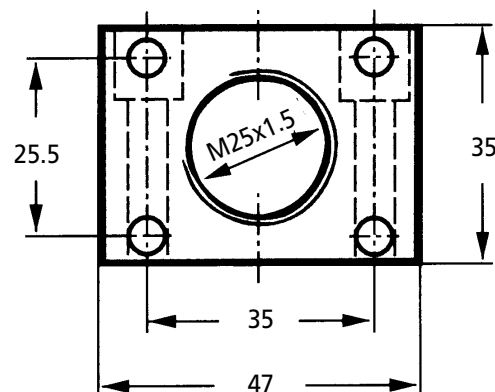
# ANTI-VIBRATION & SPRINGS

SC925

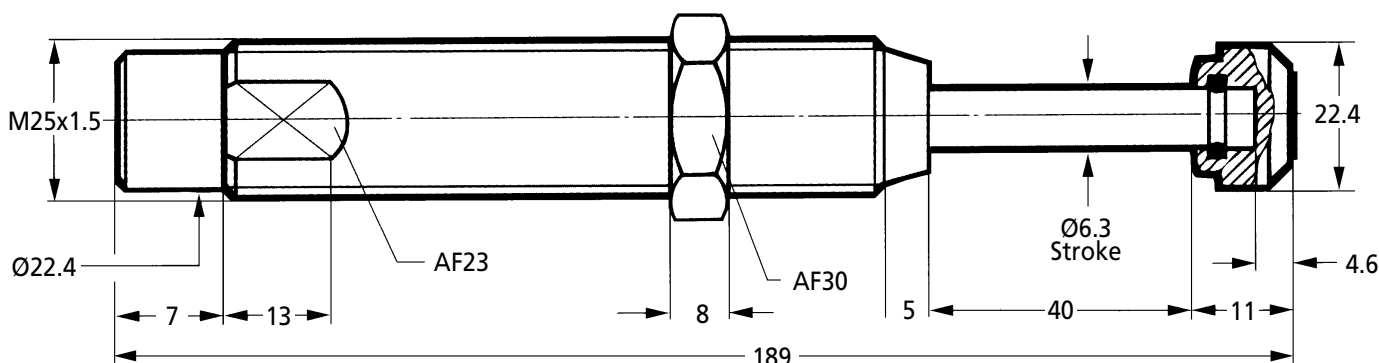
## Linear Decelerators Soft Contact & Self-Compensating



### Universal Mount



### Standard Unit Includes 1 Locknut & button



### Capacity Chart

Part Number	Effective Weight me		Max. Energy per cycle W3	Capacity Nm per hour W4	Return Force N	Rod Reset Time Sec	Max. Side Load Angle	Weight kg
	Soft Contact min. kg	Self-Compensating max. kg						
SC925-HDM-1	22 - 72	14 - 90	110	90000	11 - 32	0.40	5°	0.40
SC925-HDM-2	59 - 208	40 - 272	110	90000	11 - 32	0.40	5°	0.40
SC925-HDM-3	181 - 612	113 - 726	110	90000	11 - 32	0.40	5°	0.40
SC925-HDM-4	544 - 1952	340 - 2088	110	90000	11 - 32	0.40	5°	0.40

### Standard Unit

### Accessories

Discounts: 6+ -10% 10+ -20%

Part Number	Thread	Price Each 1 - 5	Locknut 250-0040	Stop Collar* 250-0276	Price Each 1 - 5 Universal Mount 250-0044	Rear Clevis 250-MARC	Front Clevis 250-MAFC
SC925-HDM-1	M25 x 1.5	£278.72	£4.42	£24.18	£35.21	£P.O.A	£P.O.A

### Material

**Body:** Steel with Black Oxide Finish  
**Piston Rod:** Hardened Stainless Steel  
**End Button:** Hardened Steel with Elastomeric Insert for Noise Suppression

### Other Info.

- \* Stop Collar not required when using built in mechanical stop.
- These miniature units have the advantage of soft contact and deceleration, and cater for changing energy conditions without device adjustment.
- Available without rod end button on request. Contact sales for details.

### Features

- Operating temperature range is 0°C to +65°C
- Integral mechanical stop
- Interchangeable with type MA units
- Stop collar can be installed if desired.

+44 (0)1246 455500  
 +44 (0)1246 455522

**ondrives**

sales@ondrives.com  
 www.ondrives.com

Product information updated 1st April 2011 and subject to change. Please contact Sales for the latest prices and availability.