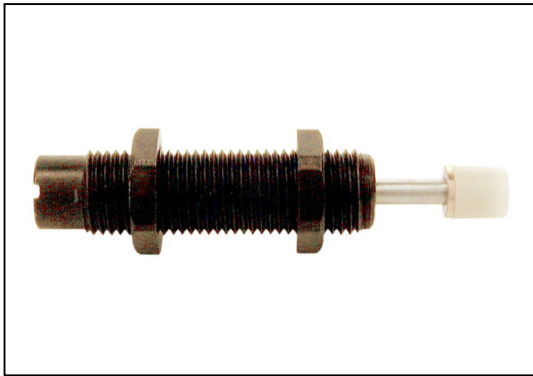


ANTI-VIBRATION & SPRINGS

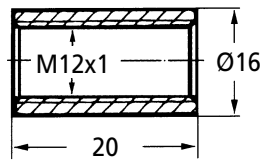
FA1210

Linear Decelerators

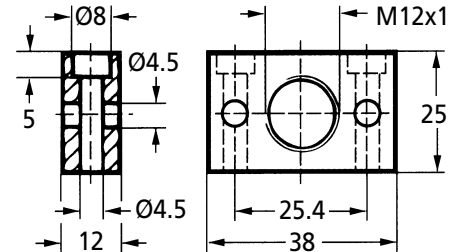
Adjustable



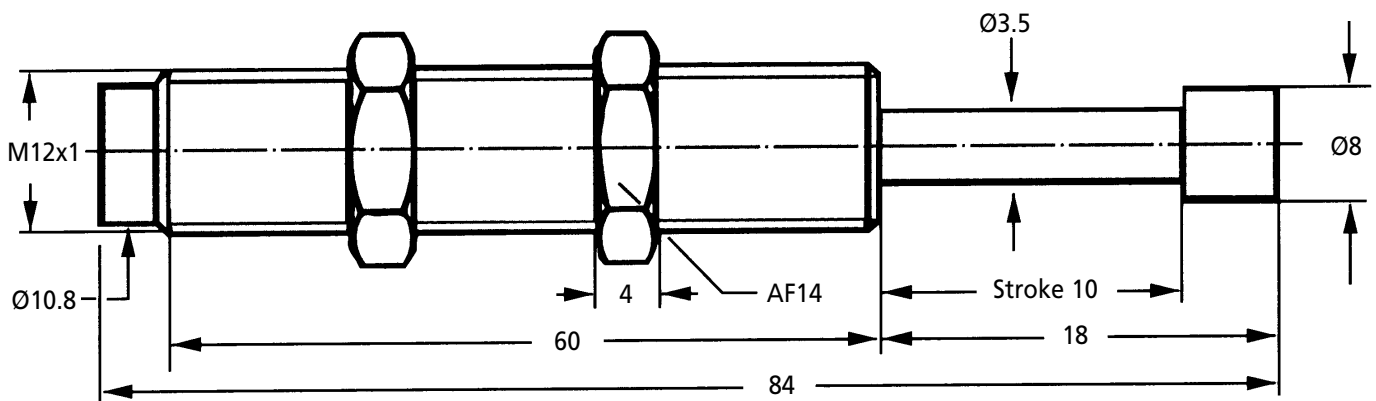
Stop Collar



Universal Mount



Standard Unit
Includes 2 Locknuts



Capacity Chart

Part Number	Effective Weight min. kg max	Max. Energy per cycle W3	Capacity Nm per hour W4	Rod Reset Time N	Return Time Sec	Max. impact velocity	Max. Side Load Angle*	Weight kg
FA1210-M-B	0.5 - 30	3	6000	5 - 10	0.4	1m/s	2.5°	0.044
FA1210-MD-B	0.5 - 30	5	6000	5 - 10	0.4	2m/s	2.5°	0.044

Standard Unit

Part Number	Thread	Price Each 1 - 5
FA1210-M-B	M12 x 1	£87.60
FA1210-MD-B	M12 x 1	£87.60

Accessories

Locknut 250-0317	Price Each 1 - 5 Stop Collar 250-0409	Universal Mount 250-0309
£2.88	£8.88	£26.71

Discounts: 6+ -10% 10+ -20%

Material

Body: Steel with black oxide finish
Piston Rod: Stainless Steel or Chrome Plated

Performance

Operating Temperature Range: -5°C to +70°C

Features

- Adjustable deceleration rate by rotation of calibrated end bezel
- Self-contained
- Units may be mounted in any position.

Other Info.

* Maximum side load depends upon application.
Available without rod end button on request. Contact sales for details.
Important: Install mechanical stop approx. 0.5 - 1mm before end of absorber stroke.
Note: If unit selected is too hard or soft choose corresponding lower or higher effective weight version.

+44 (0)1246 455500
+44 (0)1246 455522

ondrives

sales@ondrives.com
www.ondrives.com

Product information updated 1st April 2011 and subject to change. Please contact Sales for the latest prices and availability.