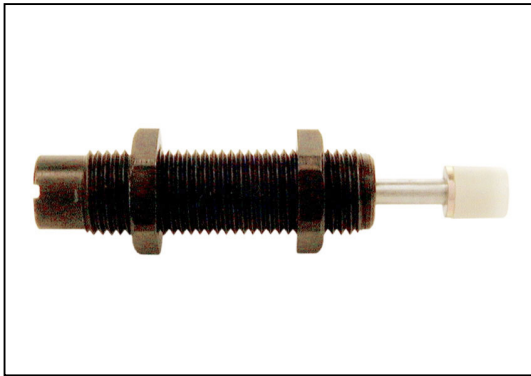


# ANTI-VIBRATION & SPRINGS

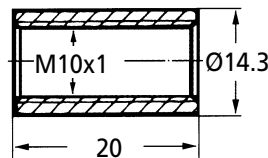
**FA1008V**

## Linear Decelerators

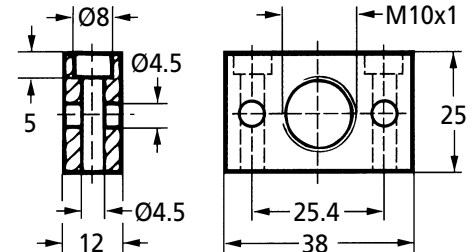
Adjustable



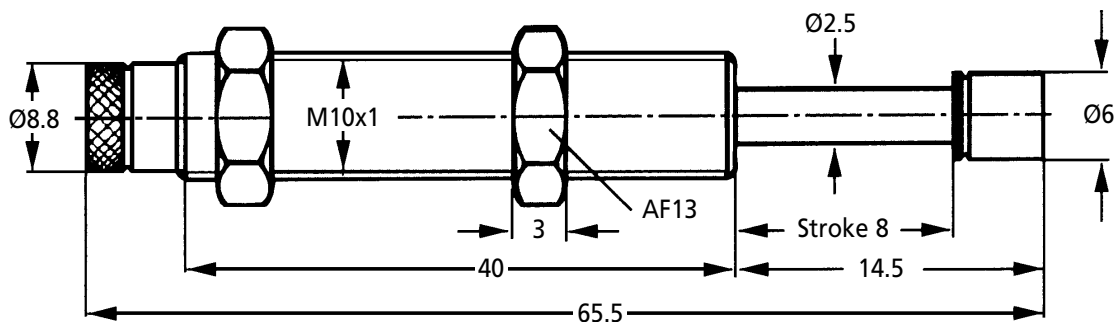
**Stop Collar**



**Universal Mount**



**Standard Unit  
Includes 2 Locknuts**



### Capacity Chart

Part Number	Effective Weight me min. kg max	Max. Energy per cycle W3	Capacity Nm per hour W4	Rod Reset Time N	Return Time Sec	Max. impact velocity	Max. Side Load Angle*	Weight kg
FA1008-V-B	0.6 - 10	1.5	3600	3 - 6	0.3	1m/s	2.5°	0.026
FA1008-VD-B	0.2 - 10	1.8	3600	3 - 6	0.3	2m/s	2.5°	0.026

### Standard Unit

Part Number	Thread	Version	Price Each 1 - 5
FA1008-V-B	M10 x 1	Standard	£85.35
FA1008-VD-B	M10 x 1	Medium	£85.35

### Accessories

**Discounts: 6+ -10% 10+ -20%**

Locknut 250-0315	Price Each 1 - 5 Stop Collar 250-0408	Universal Mount 250-0307
£2.71	£8.88	£26.71

### Material

**Body:** Steel with black oxide finish

**Piston Rod:** Stainless Steel or Chrome Plated

### Performance

**Operating Temperature Range:** -5°C to +70°C

### Features

- Adjustable deceleration rate by rotation of calibrated end bezel
- Self-contained
- Units may be mounted in any position.

### Other Info.

\* Maximum side load depends upon application.

Available without rod end button on request. Contact sales for details.

**Important:** Install mechanical stop approx. 0.5 - 1mm before end of absorber stroke.

**Note:** If unit selected is too hard or soft choose corresponding lower or higher effective weight version.

+44 (0)1246 455500  
+44 (0)1246 455522

**ondrives**

sales@ondrives.com  
www.ondrives.com

Product information updated 1st April 2011 and subject to change. Please contact Sales for the latest prices and availability.