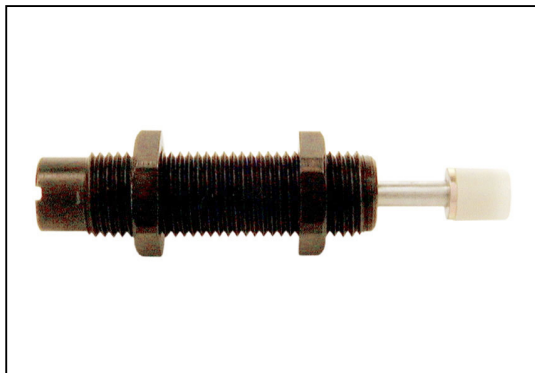
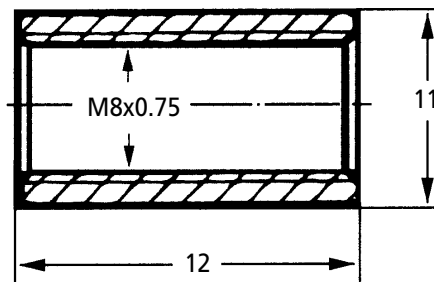
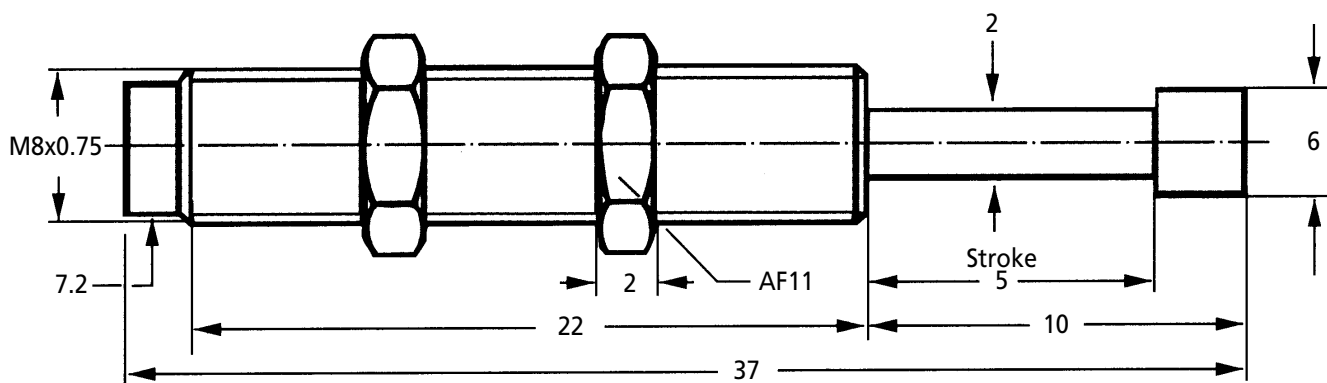


FA0805

ANTI-VIBRATION & SPRINGS

Linear Decelerators

Self-Compensating

**Stop Collar****Standard Unit
Includes 2 Locknuts**

Capacity Chart

Part Number	Effective Weight me min. kg max	Max. Energy per cycle W3	Capacity Nm per hour W4	Return Force N	Return Time Sec	Max. Side Load Angle*	Weight kg
FA0805-S1-B	0.3 - 3	0.4	1000	2 - 5	0.3	2.5°	0.012
FA0805-S2-B	0.6 - 5	0.7	1400	2 - 5	0.3	2.5°	0.012

Standard Unit

Part Number	Thread	Version	Price Each 1 - 5
FA0805-S1-B	M8 x 0.75	Standard	£44.55
FA0805-S2-B	M8 x 0.75	Medium	£44.55

Accessories

Discounts: 6+ -10% | 10+ -20%

Locknut 250-0362	Price Each 1 - 5 Stop Collar 250-0447	Universal Mount
£1.91	£8.28	N/A

Material

Body: Steel with black oxide finish**Piston Rod:** Stainless Steel or Chrome Plated

Other Info.

*Maximum side load depends upon application.

Important: Install mechanical stop approx. 0.5mm before end of absorber stroke.**Note:** If unit selected is too hard or soft choose corresponding lower or higher effective weight version.

+44 (0)1246 455500

+44 (0)1246 455522

ondrives

sales@ondrives.com

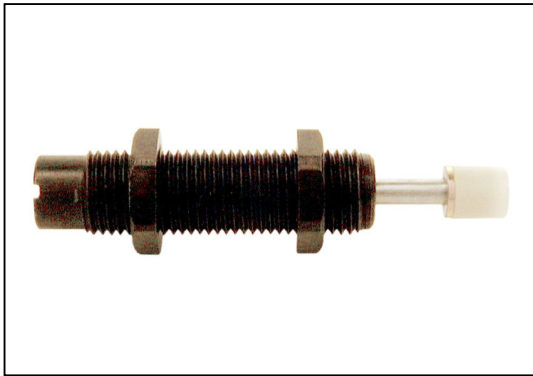
www.ondrives.com

Product information updated 1st April 2011 and subject to change. Please contact Sales for the latest prices and availability.

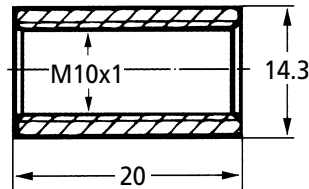
ANTI-VIBRATION & SPRINGS

FA1005

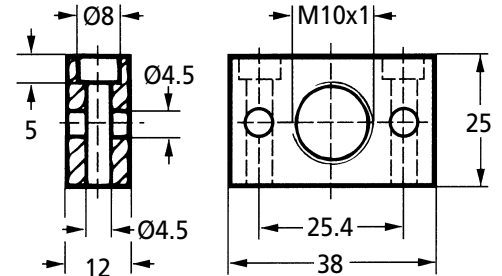
Linear Decelerators Self-Compensating



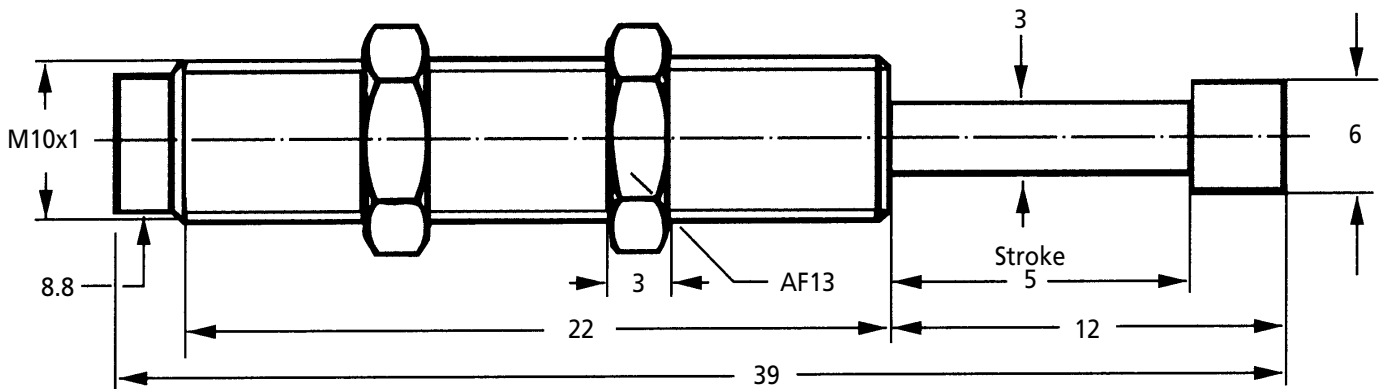
Stop Collar



Universal Mount



Standard Unit
Includes 2 Locknuts



Capacity Chart

Part Number	Effective Weight me min. kg max	Max. Energy per cycle W3	Capacity Nm per hour W4	Return Force N	Return Time Sec	Max. Side Load Angle*	Weight kg
FA1005-PM1-B	0.6 - 5	0.7	2400	3 - 6	0.4	2.5°	0.015
FA1005-PM2-B	1.0 - 8	1.0	3600	3 - 6	0.4	2.5°	0.015

Standard Unit

Part Number	Thread	Version	Price Each 1 - 5
FA1005-PM1-B	M10 x 1	Standard	£53.46
FA1005-PM2-B	M10 x 1	Medium	£53.46

Accessories

Locknut 250-0315	Price Each 1 - 5 Stop Collar 250-0408	Universal Mount 250-0307
£2.71	£8.88	£26.71

Discounts: 6+ -10% | 10+ -20%

Material

Body: Steel with black oxide finish
Piston Rod: Stainless Steel or Chrome Plated

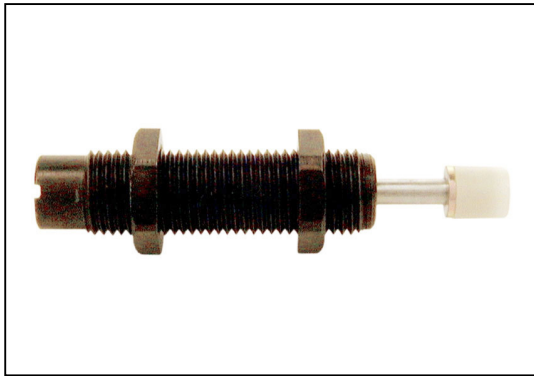
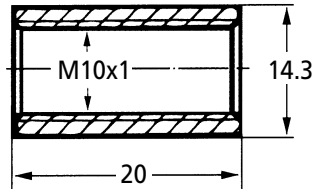
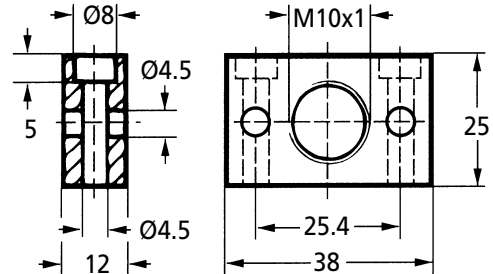
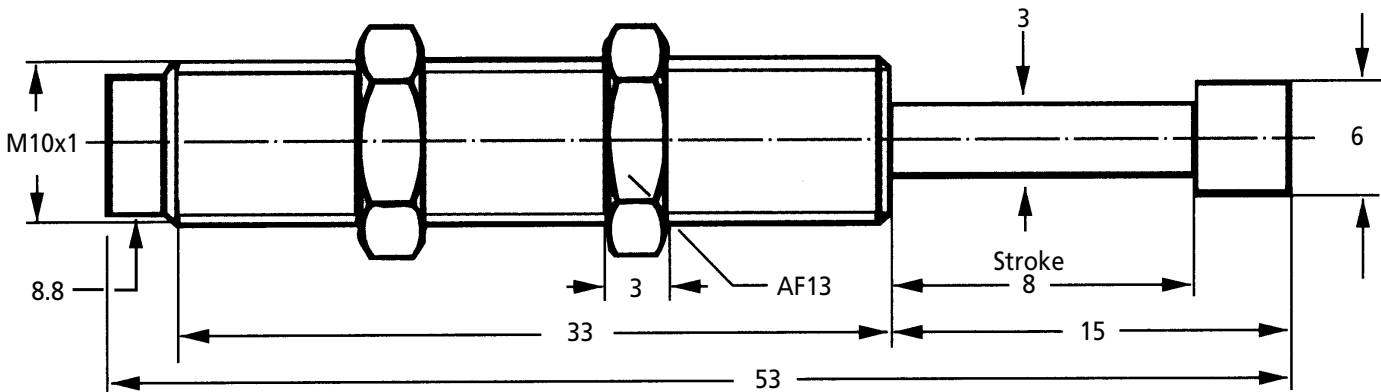
Other Info.

*Maximum side load depends upon application.
Important: Install mechanical stop approx. 0.5mm before end of absorber stroke.
Note: If unit selected is too hard or soft choose corresponding lower or higher effective weight version.

FA1008P

ANTI-VIBRATION & SPRINGS

Linear Decelerators Self-Compensating

**Stop Collar****Universal Mount****Standard Unit
Includes 2 Locknuts**

Capacity Chart

Part Number	Effective Weight me min. kg max	Max. Energy per cycle W3	Capacity Nm per hour W4	Return Force N	Return Time Sec	Max. Side Load Angle*	Weight kg
FA1008-P1-B	0.8 - 7	1.0	3600	3 - 6	0.4	2.5°	0.018
FA1008-P2-B	1.4 - 10	1.5	3600	3 - 6	0.4	2.5°	0.018

Standard Unit

Part Number	Thread	Version	Price Each 1 - 5
FA1008-P1-B	M10 x 1	Standard	£55.77
FA1008-P2-B	M10 x 1	Medium	£55.77

Accessories

Locknut 250-0315	Price Each 1 - 5 Stop Collar 250-0408	Universal Mount 250-0307
£2.71	£8.88	£26.71

Discounts: 6+ -10% 10+ -20%

Material

Body: Steel with black oxide finish
Piston Rod: Stainless Steel or Chrome Plated

Other Info.

*Maximum side load depends upon application.
Important: Install mechanical stop approx. 0.5mm before end of absorber stroke.
Note: If unit selected is too hard or soft choose corresponding lower or higher effective weight version.

+44 (0)1246 455500
+44 (0)1246 455522

ondrives

sales@ondrives.com
www.ondrives.com

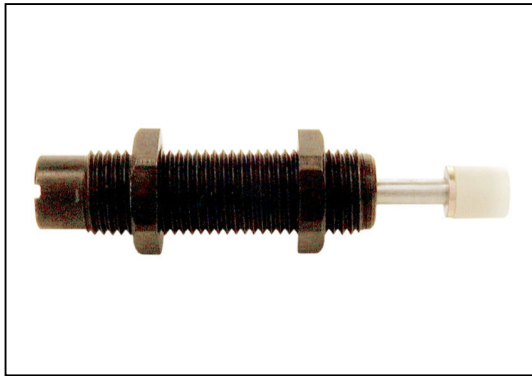
Product information updated 1st April 2011 and subject to change. Please contact Sales for the latest prices and availability.

ANTI-VIBRATION & SPRINGS

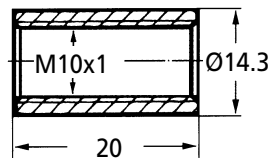
FA1008V

Linear Decelerators

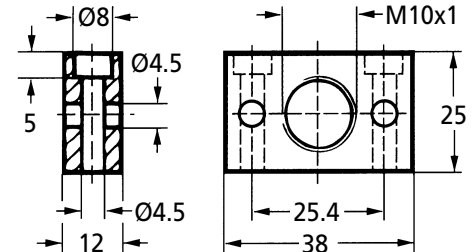
Adjustable



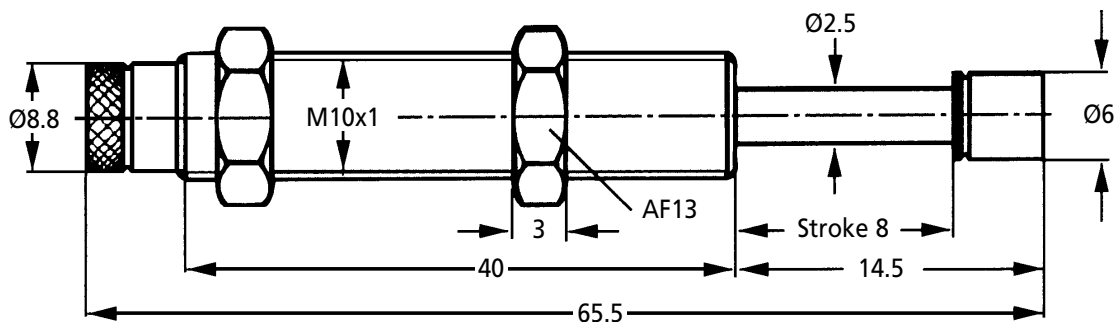
Stop Collar



Universal Mount



**Standard Unit
Includes 2 Locknuts**



Capacity Chart

Part Number	Effective Weight me min. kg max	Max. Energy per cycle W3	Capacity Nm per hour W4	Rod Reset Time N	Return Time Sec	Max. impact velocity	Max. Side Load Angle*	Weight kg
FA1008-V-B	0.6 - 10	1.5	3600	3 - 6	0.3	1m/s	2.5°	0.026
FA1008-VD-B	0.2 - 10	1.8	3600	3 - 6	0.3	2m/s	2.5°	0.026

Standard Unit

Part Number	Thread	Version	Price Each 1 - 5
FA1008-V-B	M10 x 1	Standard	£85.35
FA1008-VD-B	M10 x 1	Medium	£85.35

Accessories

Locknut 250-0315	Price Each 1 - 5 Stop Collar 250-0408	Universal Mount 250-0307
£2.71	£8.88	£26.71

Discounts: 6+ -10% 10+ -20%

Material

Body: Steel with black oxide finish

Piston Rod: Stainless Steel or Chrome Plated

Performance

Operating Temperature Range: -5°C to +70°C

Features

- Adjustable deceleration rate by rotation of calibrated end bezel
- Self-contained
- Units may be mounted in any position.

Other Info.

* Maximum side load depends upon application.

Available without rod end button on request. Contact sales for details.

Important: Install mechanical stop approx. 0.5 - 1mm before end of absorber stroke.

Note: If unit selected is too hard or soft choose corresponding lower or higher effective weight version.

+44 (0)1246 455500

+44 (0)1246 455522

ondrives

sales@ondrives.com

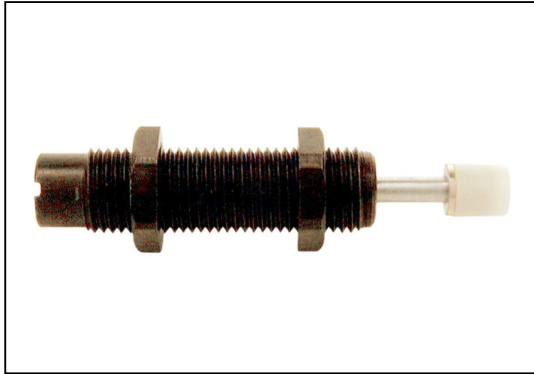
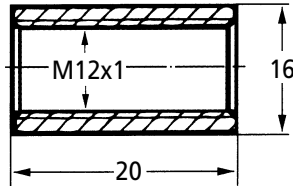
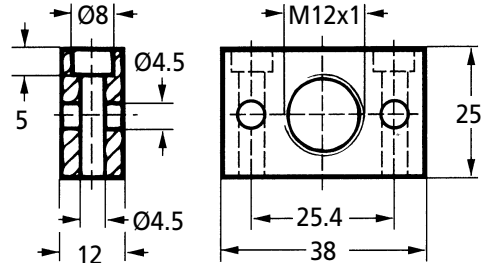
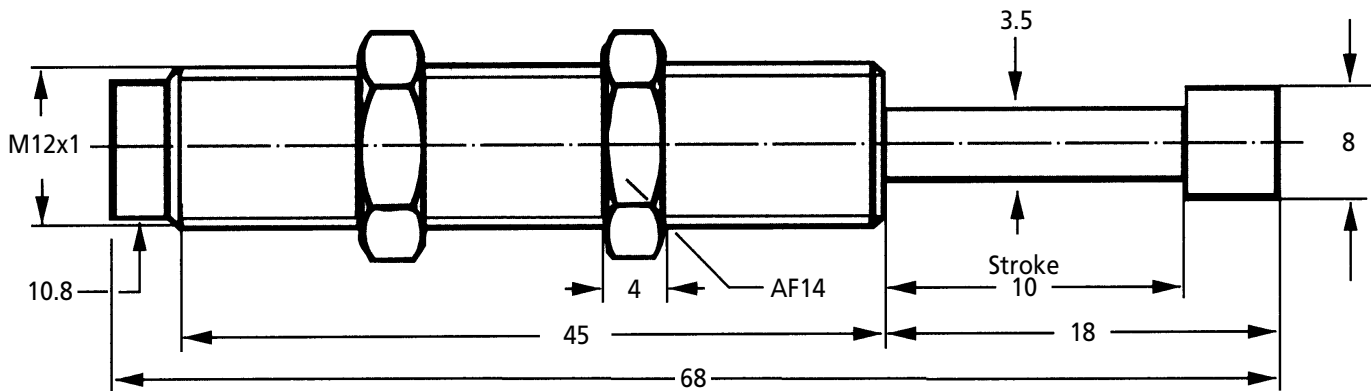
www.ondrives.com

Product information updated 1st April 2011 and subject to change. Please contact Sales for the latest prices and availability.

FA1010

ANTI-VIBRATION & SPRINGS

Linear Decelerators Self-Compensating

**Stop Collar****Universal Mount****Standard Unit
Includes 2 Locknuts**

Capacity Chart

Part Number	Effective Weight me min. kg max	Max. Energy per cycle W3	Capacity Nm per hour W4	Return Force N	Return Time Sec	Max. Side Load Angle*	Weight kg
FA1010-K1-B	1.6 - 15	2.0	6000	5 - 10	0.5	2.5°	0.031
FA1010-K2-B	2.0 - 30	2.5	6000	5 - 10	0.5	2.5°	0.031

Standard Unit

Part Number	Thread	Version	Price Each 1 - 5
FA1010-K1-B	M12 x 1	Standard	£64.24
FA1010-K2-B	M12 x 1	Medium	£64.24

Accessories

Locknut 250-0317	Price Each 1 - 5 Stop Collar 250-0409	Universal Mount 250-0309
£2.88	£8.88	£26.71

Discounts: 6+ -10% | 10+ -20%

Material

Body: Steel with black oxide finish
Piston Rod: Stainless Steel or Chrome Plated

Other Info.

*Maximum side load depends upon application.
Important: Install mechanical stop approx. 0.5mm before end of absorber stroke.
Note: If unit selected is too hard or soft choose corresponding lower or higher effective weight version.

+44 (0)1246 455500
+44 (0)1246 455522

ondrives

sales@ondrives.com
www.ondrives.com

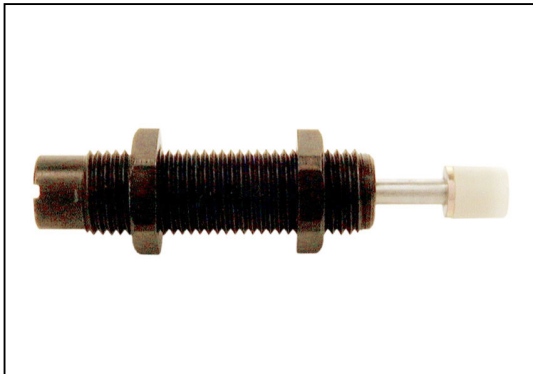
Product information updated 1st April 2011 and subject to change. Please contact Sales for the latest prices and availability.

ANTI-VIBRATION & SPRINGS

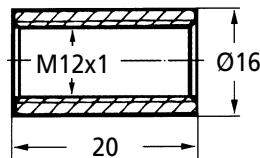
FA1210

Linear Decelerators

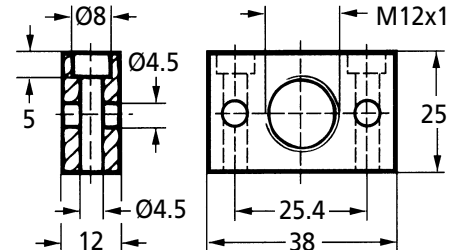
Adjustable



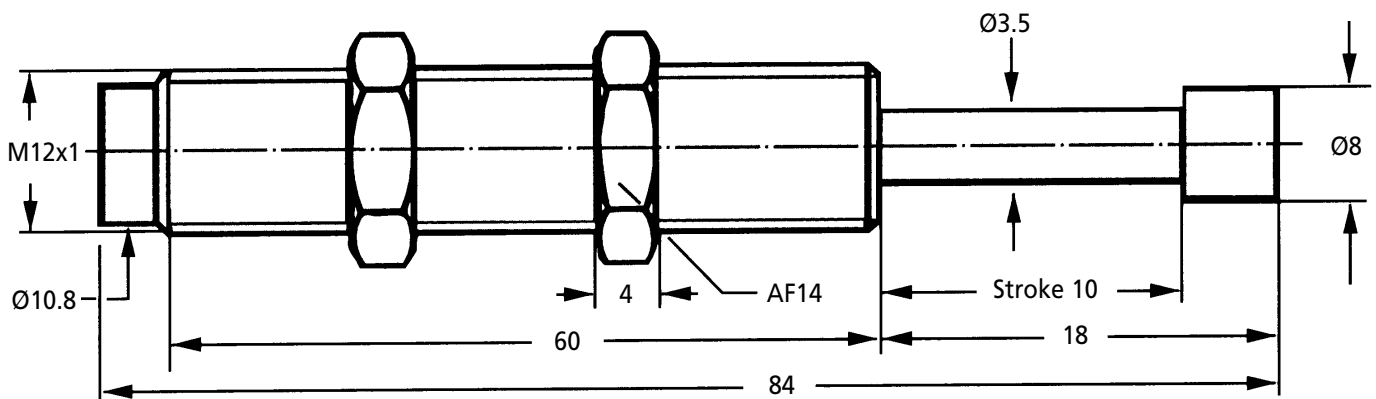
Stop Collar



Universal Mount



Standard Unit
Includes 2 Locknuts



Capacity Chart

Part Number	Effective Weight min. kg max	Max. Energy per cycle W3	Capacity Nm per hour W4	Rod Reset Time N	Return Time Sec	Max. impact velocity	Max. Side Load Angle*	Weight kg
FA1210-M-B	0.5 - 30	3	6000	5 - 10	0.4	1m/s	2.5°	0.044
FA1210-MD-B	0.5 - 30	5	6000	5 - 10	0.4	2m/s	2.5°	0.044

Standard Unit

Part Number	Thread	Price Each 1 - 5
FA1210-M-B	M12 x 1	£87.60
FA1210-MD-B	M12 x 1	£87.60

Accessories

Locknut 250-0317	Price Each 1 - 5 Stop Collar 250-0409	Universal Mount 250-0309
£2.88	£8.88	£26.71

Discounts: 6+ -10% 10+ -20%

Material

Body: Steel with black oxide finish
Piston Rod: Stainless Steel or Chrome Plated

Performance

Operating Temperature Range: -5°C to +70°C

Features

- Adjustable deceleration rate by rotation of calibrated end bezel
- Self-contained
- Units may be mounted in any position.

Other Info.

* Maximum side load depends upon application.
Available without rod end button on request. Contact sales for details.
Important: Install mechanical stop approx. 0.5 - 1mm before end of absorber stroke.
Note: If unit selected is too hard or soft choose corresponding lower or higher effective weight version.

+44 (0)1246 455500
+44 (0)1246 455522

ondrives

sales@ondrives.com
www.ondrives.com

Product information updated 1st April 2011 and subject to change. Please contact Sales for the latest prices and availability.